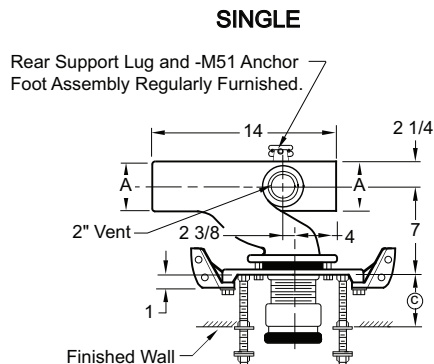
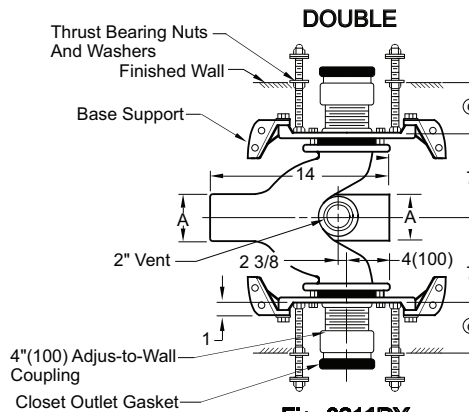


FIXTURE SUPPORTS

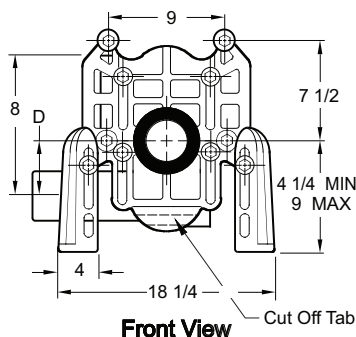
FIG. 0211Y, 0221Y HORIZONTAL FITTINGS FOR SIPHON JET WATER CLOSETS SHALLOW ROUGH-IN TYPE



**Fig. 0211RY
Top View**



**Fig. 0211DY
Top View**



Front View

© dimension = 4" (regularly furnished) consisting of nipple and Adjus-to-Wall coupling permitting adjustment from 3" min. to 4" max.

The water closet gasket regularly furnished is made of molded neoprene and designed to fit water closet outlet dimensions and configurations shown in ANSI Standard A112.19.2M, Figure 13B. If gasket is not found to be compatible to fixture due to nonconformance of said fixture to ANSI A112.19.2M, then fixture manufacturer shall be consulted for a suitable gasket recommendation. Jay R. Smith assumes no liability for connections to fixtures which do not conform to these standards.

OUTLET TYPE	FIGURE NO.	TYPE OF FITTING	A PIPE SIZE †04"	D	
				MIN	MAX
NO-HUB	0211LY	Single-Left Hand	1,586.00	5/8"	3 3/8"
	0211RY	Single-Right Hand	1,586.00	5/8"	3 3/8"
	0211DY	Double	2,967.00	5/8"	3 3/8"
	0221LY	Single-Left Hand Long Barrel	2,142.00	5/8"	3 3/8"
	0221RY	Single-Right Hand Long Barrel	2,142.00	5/8"	3"
0221DY	Double Long Barrel	3,726.00	5/8"	3 3/8"	

NOTE: Service weight regularly furnished on fittings above.
NOTE: Always specify fixture manufacturer's model name and number.

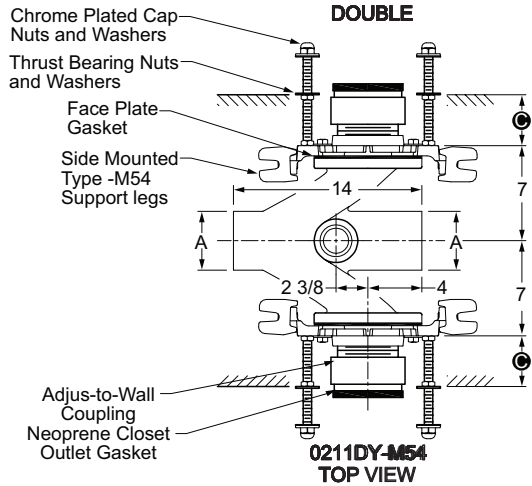
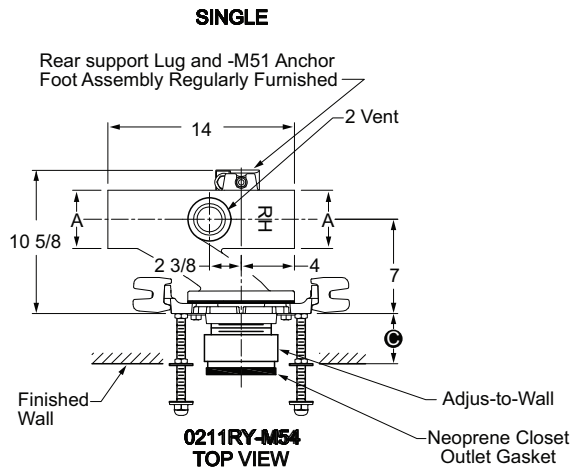
FIXTURE SUPPORTS

FIG. 0211Y-M54, 0221Y-M54, 0211Y-M58/M54, 0221Y-M58/M54 HORIZONTAL FITTINGS FOR SIPHON JET WATER CLOSETS SHALLOW ROUGH-IN TYPE

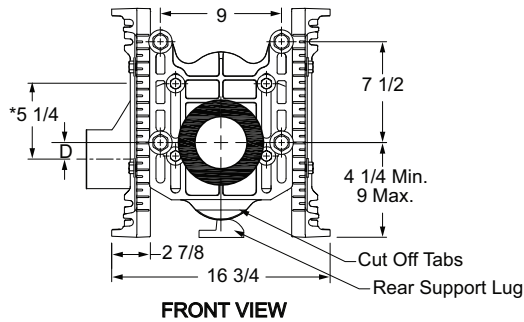


CUSTOMER DRIVEN SINCE 1926

FIXTURE SUPPORTS



© dimension = 4" (regularly furnished) consisting of nipple and Adjus-to-Wall coupling permitting adjustment from 3" min. to 4" max.



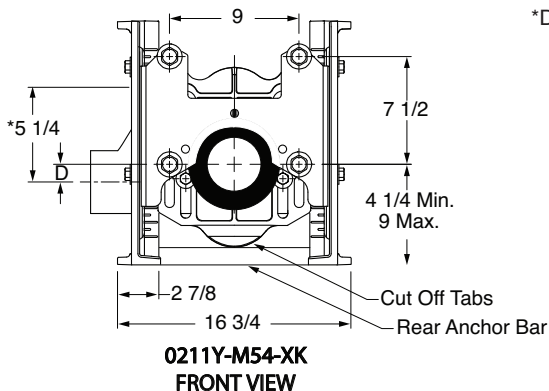
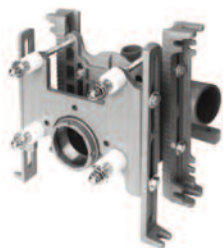
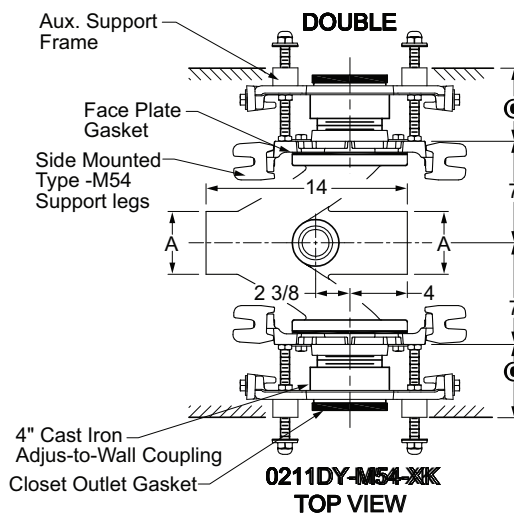
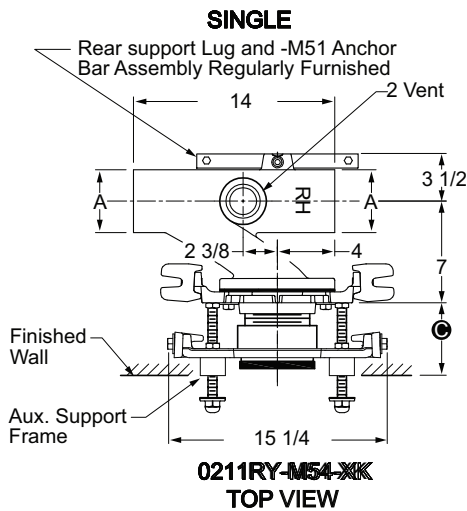
The water closet gasket regularly furnished is made of molded neoprene and designed to fit water closet outlet dimensions and configurations shown in ANSI Standard A112.19.2M, Figure 13B. If gasket is not found to be compatible to fixture due to nonconformance of said fixture to ANSI A112.19.2M, then fixture manufacturer shall be consulted for a suitable gasket recommendation. Jay R. Smith assumes no liability for connections to fixtures which do not conform to these standards.

OUTLET TYPE	FIGURE NO.	TYPE OF FITTING	A PIPE SIZE †04"	D	
				MIN	MAX
NO-HUB	0211LY-M54	Single-Left Hand	1,586.00	5/8"	3 3/8"
	0211RY-M54	Single-Right Hand	1,586.00	5/8"	3 3/8"
	0211DY-M54	Double	2,967.00	5/8"	3 3/8"
	0221LY-M54	Single-Left Hand Long Barrel	2,142.00	5/8"	3 3/8"
	0221RY-M54	Single-Right Hand Long Barrel	2,142.00	5/8"	3"
	0221DY-M54	Double Long Barrel	3,726.00	5/8"	3 3/8"
NO-HUB	0211LY-M58/54	Single-Left Hand	1,586.00	5/8"	3 3/8"
	0211RY-M58/54	Single-Right Hand	1,586.00	5/8"	3 3/8"
	0211DY-M58/54	Double	2,967.00	5/8"	3 3/8"
	0221LY-M58/54	Single-Left Hand Long Barrel	2,142.00	5/8"	3 3/8"
	0221RY-M58/54	Single-Right Hand Long Barrel	2,142.00	5/8"	3 3/8"
	0221DY-M58/54	Double Long Barrel	3,726.00	5/8"	3 3/8"

NOTE: Service weight regularly furnished on fittings above.
NOTE: Always specify fixture manufacturer's model name and number.

FIXTURE SUPPORTS

FIG. 0211Y-M54-XK, 0221Y-M54-XK HORIZONTAL FITTINGS FOR SIPHON JET WATER CLOSETS BARIATRIC DUTY - 1000 LBS.



© dimension = 4 1/4" to 5 1/4" with regularly furnished 4 1/2" cast iron nipple and Adjus-to-Wall coupling.

*Dimension is from centerline of barrel to top of vent.

NOTE: Base support must be securely anchored to floor with 1/2" anchors able to withstand a pull-out force of 500 lbs. The rear anchor bar must be securely anchored to floor with 1/2" anchors able to withstand a pull-out force of 1000 lbs. Pull-out forces are calculated values, no safety factor has been applied.

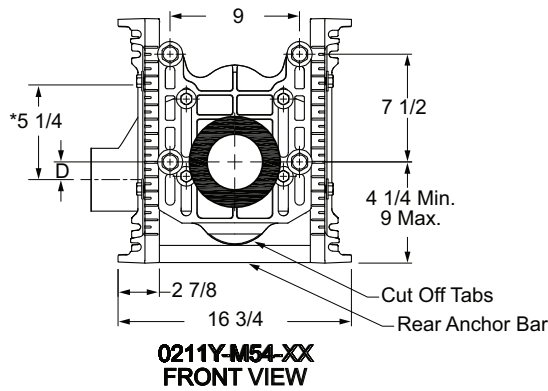
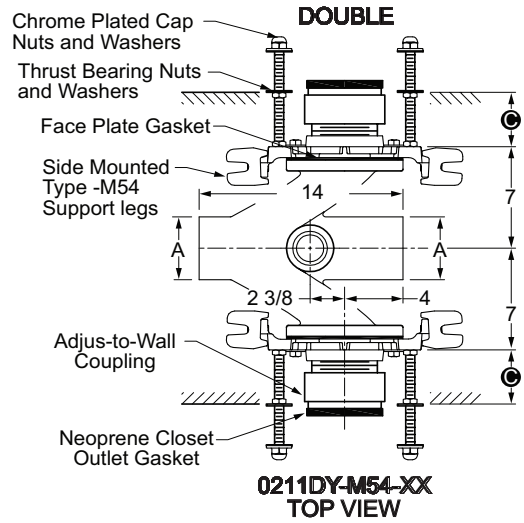
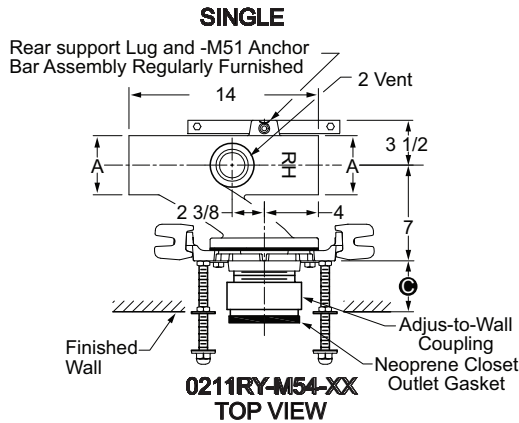
OUTLET TYPE	FIGURE NO.	TYPE OF FITTING	A PIPE SIZE †04"	D MIN	D MAX	APPROX. WT. LBS.
NO-HUB	0211LY-M54-XK	Single-Left Hand	4,640.00	5/8"	3 3/8"	55
	0211RY-M54-XK	Single-Right Hand	4,640.00	5/8"	3 3/8"	55
	0211DY-M54-XK	Double	8,949.00	5/8"	3 3/8"	100
	0221LY-M54-XK	Single-Left Hand Long Barrel	5,194.00	5/8"	3 1/8"	74
	0221RY-M54-XK	Single-Right Hand Long Barrel	5,194.00	5/8"	3 1/8"	74
	0221DY-M54-XK	Double Long Barrel	9,708.00	5/8"	3 1/8"	119

Jay R. Smith 0211Y or 0221Y-M54-XK complies with and/or exceeds all requirements of ASME A112.6.1M up to 1000 lbs.

NOTE: Service weight regularly furnished on fittings above.
NOTE: Always specify fixture manufacturer's model name and number.

FIXTURE SUPPORTS

FIG. 0211Y-M54-XX, 0221Y-M54-XX HORIZONTAL FITTINGS FOR SIPHON JET WATER CLOSETS EXTRA HEAVY DUTY - 750 LBS.



© dimension = 4" (regularly furnished) consisting of nipple and Adjus-to-Wall coupling permitting adjustment from 3" min. to 4" max. Longer nipples are available, specify © dimension.

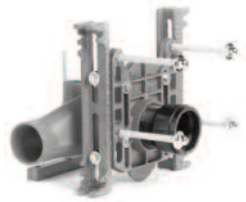
NOTE: Base support must be securely anchored to floor with 1/2" anchors able to withstand a pull-out force of 500 lbs. The rear anchor bar must be securely anchored to floor with 1/2" anchors able to withstand a pull-out force of 1000 lbs. Pull-out forces are calculated values, no safety factor has been applied.

*Dimension to top of vent.

OUTLET TYPE	FIGURE NO.	TYPE OF FITTING	A PIPE SIZE †04"	D	
				MIN	MAX
NO-HUB	0211LY-M54-XX	Single-Left Hand	3,282.00	5/8"	3 3/8"
	0211RY-M54-XX	Single-Right Hand	3,282.00	5/8"	3 3/8"
	0211DY-M54-XX	Double	3,282.00	5/8"	3 3/8"
	0221LY-M54-XX	Single-Left Hand Long Barrel	3,837.00	5/8"	3 1/8"
	0221RY-M54-XX	Single-Right Hand Long Barrel	3,837.00	5/8"	3 1/8"
	0221DY-M54-XX	Double Long Barrel	3,837.00	5/8"	3 1/8"

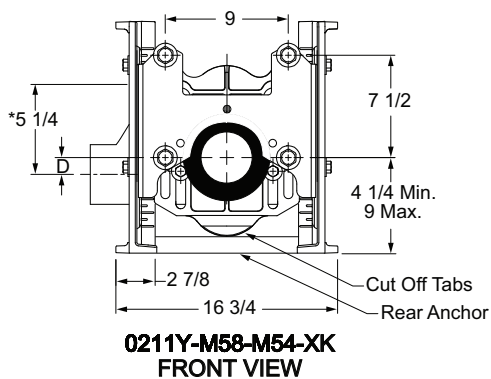
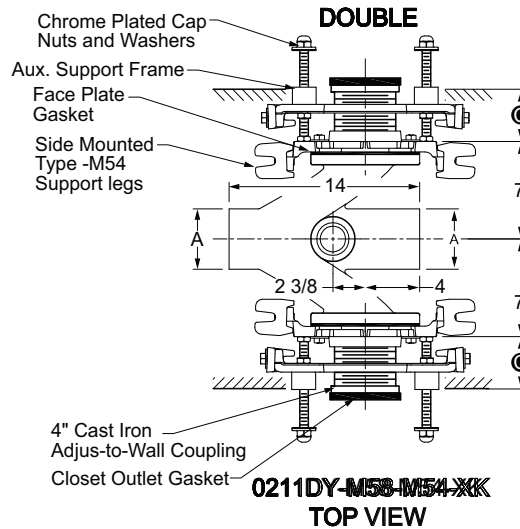
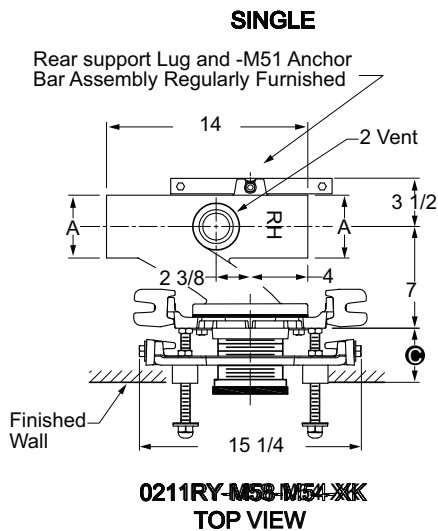
Jay R. Smith 0211Y or 0221Y-M54-XX complies with and/or exceeds all requirements of ASME A112.6.1M up to 750 lbs.

NOTE: Service weight regularly furnished on fittings above.
NOTE: Always specify fixture manufacturer's model name and number.



FIXTURE SUPPORTS

FIG. 0211Y-M58/54-XK, 0221Y-M58/54-XK HORIZONTAL FITTINGS FOR SIPHON JET WATER CLOSETS BARIATRIC DUTY - 1000 LBS.



© dimension = 4 1/4" to 4 3/4" with regularly furnished 5 1/4" cast iron nipple and Adjus-to-Wall coupling.

*Dimension is from centerline of barrel to top of vent.

NOTE: Base support must be securely anchored to floor with 1/2" anchors able to withstand a pull-out force of 500 lbs. The rear anchor bar must be securely anchored to floor with 1/2" anchors able to withstand a pull-out force of 1000 lbs. Pull-out forces are calculated values, no safety factor has been applied.

OUTLET TYPE	FIGURE NO.	TYPE OF FITTING	A PIPE SIZE †04"	D	
				MIN	MAX
NO-HUB	0211LY-M58/54-XK	Single-Left Hand	4,640.00	5/8"	3 3/8"
	0211RY-M58/54-XK	Single-Right Hand	4,640.00	5/8"	3 3/8"
	0211DY-M58/54-XK	Double	8,949.00	5/8"	3 3/8"
	0221LY-M58/54-XK	Single-Left Hand Long Barrel	5,194.00	5/8"	3 1/8"
	0221RY-M58/54-XK	Single-Right Hand Long Barrel	5,194.00	5/8"	3 1/8"
	0221DY-M58/54-XK	Double Long Barrel	9,708.00	5/8"	3 1/8"

Jay R. Smith 0211Y or 0221Y-M58/54-XK complies with and/or exceeds all requirements of ASME A112.6.1M up to 1000 lbs.

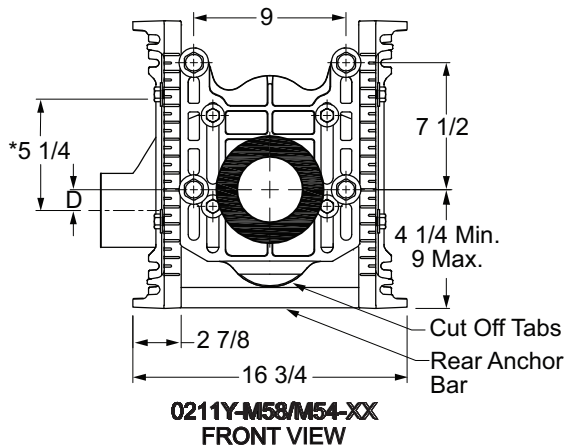
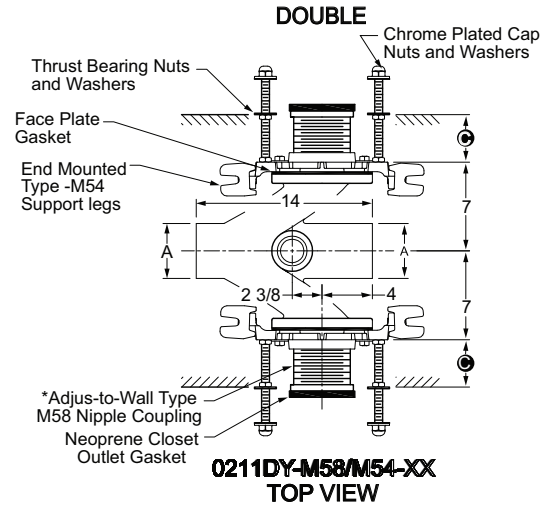
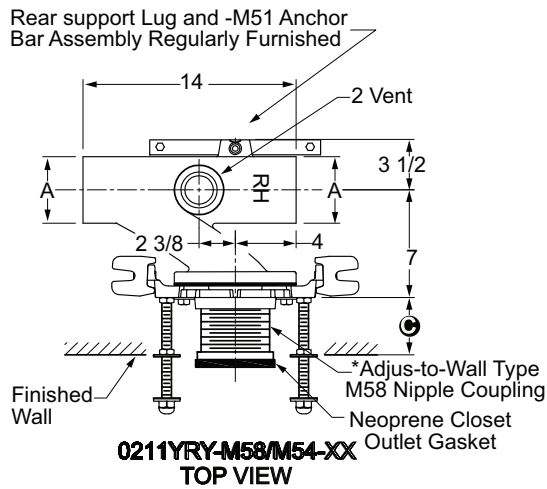
NOTE: Service weight regularly furnished on fittings above.
NOTE: Always specify fixture manufacturer's model name and number.

FIXTURE SUPPORTS

FIG. 0211Y-M58/54-XX, 0221Y-M58/54-XX HORIZONTAL FITTINGS FOR SIPHON JET WATER CLOSETS EXTRA HEAVY DUTY - 750 LBS.



FIXTURE SUPPORTS



© dimension = 4" (regularly furnished) consisting of nipple and Adjus-to-Wall coupling permitting adjustment from 3" min. to 4" max.

NOTE: Base support must be securely anchored to floor with 1/2" anchors able to withstand a pull-out force of 500 lbs. The rear anchor bar must be securely anchored to floor with 1/2" anchors able to withstand a pull-out force of 1000 lbs. Pull-out forces are calculated values, no safety factor has been applied.

NOTE: When nipple lengths between 3 1/4" and 9 3/4" are specified, the 10" nipple will be supplied. The threaded end of nipple must be cut to specified length by others.

OUTLET TYPE	FIGURE NO.	TYPE OF FITTING	A PIPE SIZE †04"	D	
				MIN	MAX
NO-HUB	0211LY-M58/54-XX	Single-Left Hand	3,282.00	5/8"	3 3/8"
	0211RY-M58/54-XX	Single-Right Hand	3,282.00	5/8"	3 3/8"
	0211DY-M58/54-XX	Double	3,282.00	5/8"	3 3/8"
	0221LY-M58/54-XX	Single-Left Hand Long Barrel	3,837.00	5/8"	3 1/8"
	0221RY-M58/54-XX	Single-Right Hand Long Barrel	3,837.00	5/8"	3 1/8"
	0221DY-M58/54-XX	Double Long Barrel	3,837.00	5/8"	3 1/8"

LENGTH	MIN	©	MAX
10	8 3/4"		9 3/4"

Jay R. Smith 0211Y or 0221Y-M58/54-XX complies with and/or exceeds all requirements of ASME A112.6.1M up to 750 lbs.

NOTE: Service weight regularly furnished on fittings above.
NOTE: Always specify fixture manufacturer's model name and number.