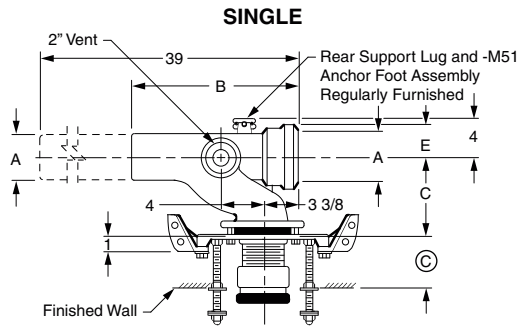
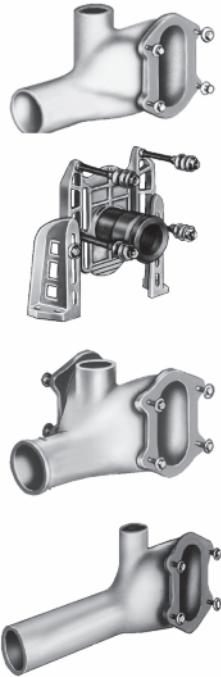


# FIXTURE SUPPORTS

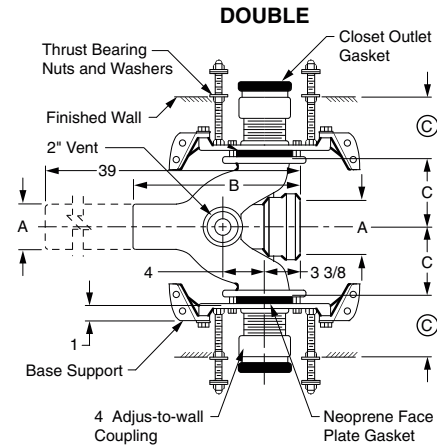
## FIG. 0210, 0220 HORIZONTAL FITTINGS FOR SIPHON JET WATER CLOSETS SHALLOW ROUGH-IN TYPE



FIXTURE SUPPORTS

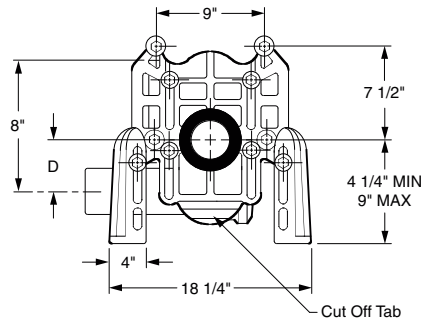


**Fig. 0210R  
Top View**



**Fig. 0210D  
Top View**

© dimension = 4" (regularly furnished) consisting of nipple and Adjus-to-Wall coupling permitting adjustment from 3" min. to 4" max.



**Fig. 0210R  
Front View**

The water closet gasket regularly furnished is made of molded neoprene and designed to fit water closet outlet dimensions and configurations shown in ANSI Standard A112.19.2M, Figure 13B. If gasket is not found to be compatible to fixture due to nonconformance of said fixture to ANSI A112.19.2M, then fixture manufacturer shall be consulted for a suitable gasket recommendation. Jay R. Smith assumes no liability for connections to fixtures which do not conform to these standards.

OUTLET TYPE	FIGURE NO.	TYPE OF FITTING	A PIPE SIZE		B	C	D		E	APPROX. WT. LBS.
			†04"	05"			MIN	MAX		
CAULK	0210L	Single-Left Hand	1,586.00		16"	7"	5/8"	3 3/8"	3"	65
	0210R	Single-Right Hand	1,586.00		16"	7"	5/8"	3 3/8"	3"	65
	0210D	Double	2,967.00		16"	7"	5/8"	3 3/8"	3"	108
	0210L	Single-Left Hand		2,097.00	15 1/2"	9"	5/8"	3 3/8"	3 1/2"	65
	0210R	Single-Right Hand		2,097.00	15 1/2"	9"	5/8"	3 3/8"	3 1/2"	65
	0210D	Double		3,691.00	15 1/2"	9"	5/8"	3 3/8"	3 1/2"	108
	0220L	Single-Left Hand Long Barrel	2,142.00		16"	7"	5/8"	3 3/8"	3"	82
	0220R	Single-Right Hand Long Barrel	2,142.00		16"	7"	5/8"	3 3/8"	3"	82
	0220D	Double Long Barrel	3,726.00		16"	7"	5/8"	3 3/8"	3"	127
	0220L	Single-Left Hand Long Barrel		2,839.00	15 1/2"	9"	5/8"	3 3/8"	3 1/2"	82
	0220R	Single-Right Hand Long Barrel		2,839.00	15 1/2"	9"	5/8"	3 3/8"	3 1/2"	82
	0220D	Double Long Barrel		4,726.00	15 1/2"	9"	5/8"	3 3/8"	3 1/2"	127

NOTE: Service weight regularly furnished on fittings above.  
NOTE: Always specify fixture manufacturer's model name and number.