

FIXTURE SUPPORTS

FIG. 0175, 0185 SERIES VERTICAL FITTINGS WITH SIDE INLET FOR ELEVATED SIPHON JET WATER CLOSETS FOR WHEELCHAIR USERS DEEP ROUGH-IN TYPE



FIXTURE SUPPORTS

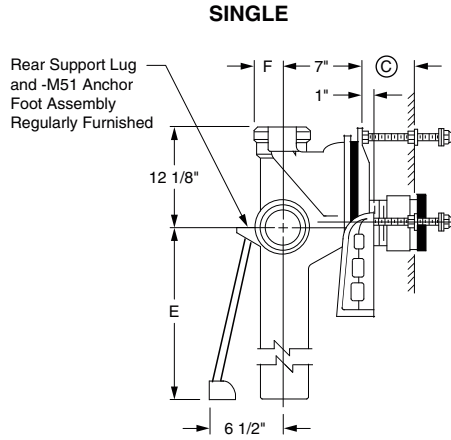


Fig. 0175L - 0185 Side View

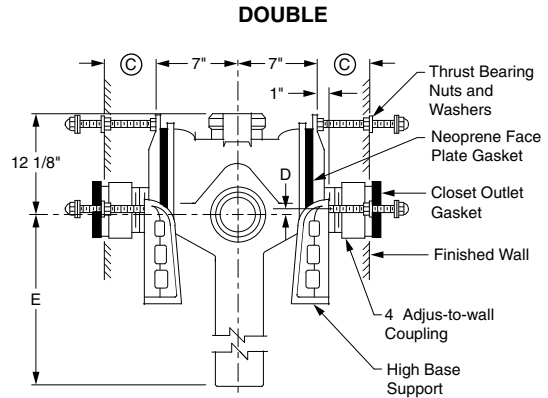


Fig. 0175D - 0185D Side View

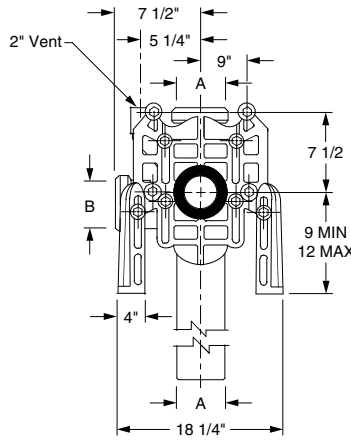


Fig. 0175L - 0185 Front View

© dimension = 4" (regularly furnished) consisting of nipple and Adjust-to-Wall coupling permitting adjustment from 3" min. to 4" max.

The water closet gasket regularly furnished is made of molded neoprene and designed to fit water closet outlet dimensions and configurations shown in ANSI Standard A112.19.2M, Figure 13B. If gasket is not found to be compatible to fixture due to nonconformance of said fixture to ANSI A112.19.2M, then fixture manufacturer shall be consulted for a suitable gasket recommendation. Jay R. Smith assumes no liability for connections to fixtures which do not conform to these standards.

FIGURE NO.	TYPE OF FITTING	A PIPE SIZE †04"	B	D		E	F	APPROX. WT. LBS.
				MIN	MAX			
CAULK	0175L Single-Left Hand Hi-set with Side Inlet	3,368.00	04"	4 3/4"	8 3/4"	26 3/4"	3"	110
	0175R Single-Right Hand Hi-set with Side Inlet	3,368.00	04"	4 3/4"	8 3/4"	26 3/4"	3"	110
	0175D Double-Hi-set with Side Inlet	4,851.00	04"	4 3/4"	8 3/4"	26 3/4"	3"	111
	0185 Single-Hi-set with Two Side Inlets	3,671.00	04"	4 3/4"	8 3/4"			50
	0185D Double-Hi-set with Two Side Inlets	5,061.00	04"	4 3/4"	8 3/4"			141
NO-HUB	0175LY Single-Left Hand Hi-set with Side Inlet	3,368.00	04"	4 3/4"	8 3/4"	10 7/8"	2 1/4"	110
	0175RY Single-Right Hand Hi-set with Side Inlet	3,368.00	04"	4 3/4"	8 3/4"	10 7/8"	2 1/4"	110
	0175DY Double-Hi-set with Side Inlet	4,851.00	04"	4 3/4"	8 3/4"	10 7/8"	2 1/4"	111
	0185Y Single-Hi-set with Two Side Inlets	3,671.00	04"	4 3/4"	8 3/4"			50
	0185DY Double-Hi-set with Two Side Inlets	5,061.00	04"	4 3/4"	8 3/4"			141

NOTE: Service weight regularly furnished on fittings above.
NOTE: Always specify fixture manufacturer's model name and number.