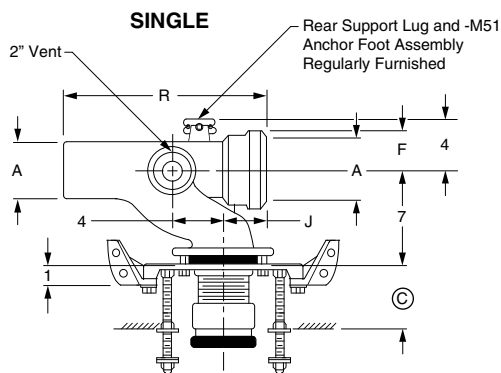
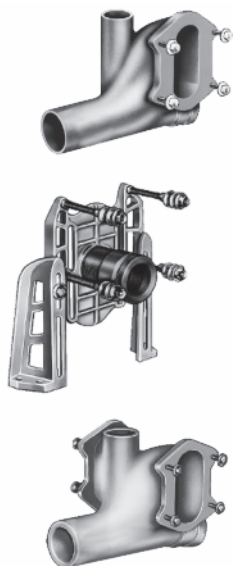
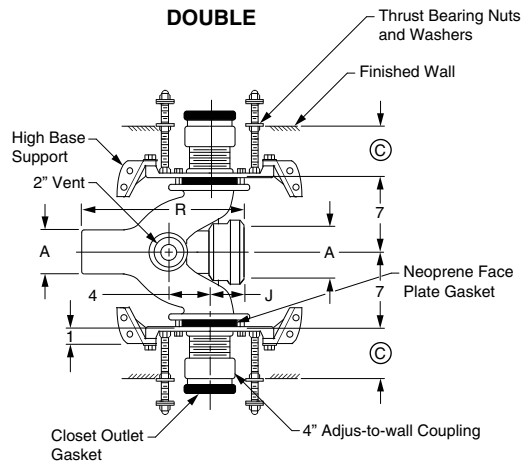


FIXTURE SUPPORTS

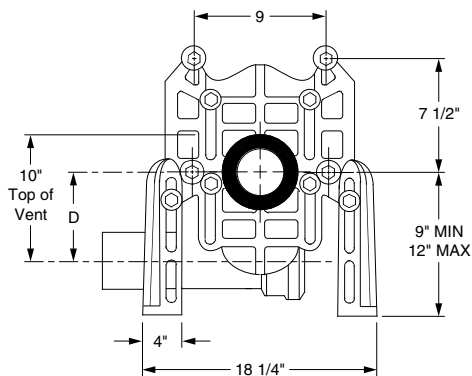
FIG. 0115, 0115Y SERIES HORIZONTAL FITTINGS FOR ELEVATED SIPHON JET WATER CLOSETS FOR WHEELCHAIR USERS DEEP ROUGH-IN TYPE



**Fig. 0115R
Top View**



**Fig. 0115D
Top View**



Front View

© dimension = 4" (regularly furnished) consisting of nipple and Adjus-to-Wall coupling permitting adjustment from 3" min. to 4" max.

The water closet gasket regularly furnished is made of molded neoprene and designed to fit water closet outlet dimensions and configurations shown in ANSI Standard A112.19.2M, Figure 13B. If gasket is not found to be compatible to fixture due to nonconformance of said fixture to ANSI A112.19.2M, then fixture manufacturer shall be consulted for a suitable gasket recommendation. Jay R. Smith assumes no liability for connections to fixtures which do not conform to these standards.

OUTLET TYPE	FIGURE NO.	TYPE OF FITTING	A PIPE SIZE †04"	D		F	J	R	APPROX. WT. LBS.
				MIN	MAX				
CAULK	0115L	Single-Left Hand Hi-set	1,586.00	4 5/8"	8 5/8"	3"	3 3/8"	16"	70
	0115R	Single-Right Hand Hi-set	1,586.00	4 5/8"	8 5/8"	3"	3 3/8"	16"	70
	0115D	Double-Hi-set	2,967.00	4 5/8"	8 5/8"	3"	3 3/8"	16"	134
NO-HUB	0115LY	Single-Left Hand Hi-set	1,586.00	4 5/8"	8 5/8"	2 1/4"	4"	14"	70
	0115RY	Single-Right Hand Hi-set	1,586.00	4 5/8"	8 5/8"	2 1/4"	4"	14"	70
	0115DY	Double-Hi-set	2,967.00	4 5/8"	8 5/8"	2 1/4"	4"	14"	134

NOTE: Service weight regularly furnished on fittings above.
NOTE: Always specify fixture manufacturer's model name and number.