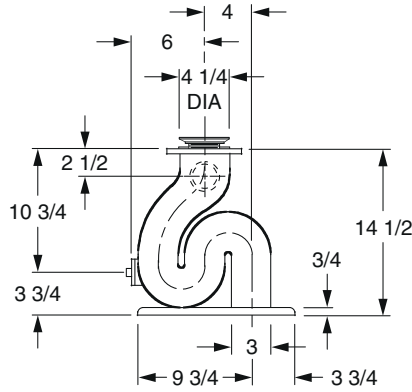


SPECIALTIES, STAINLESS AND CARBON STEEL

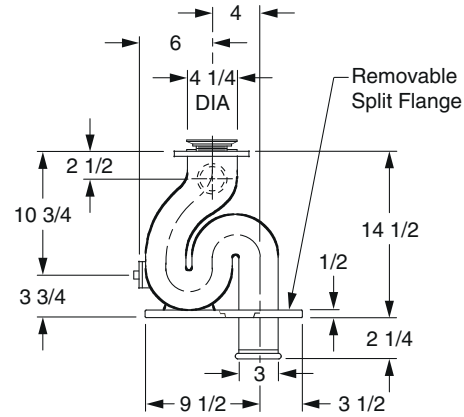
FIG. 9130, 9134, 9140 "S" TRAP STANDARDS-CAST IRON-BRONZE



FUNCTION: For use with all service sinks.



9130



9140

FIGURE NO.	PIPE SIZE	FREE AREA SQ IN	CONNECTION	†ARE INSIDE	ARE INSIDE AND OUTSIDE	ALL BRONZE	APPROX. WT. LBS.
9130	03"	2"	Soil	1,718.00	1,999.00	POA	34
*9134	03"	2"	Soil	-	-	POA	40
9140	03"	2"	Soil	1,806.00	2,087.00	POA	35

OPTIONS:

-N15	1 1/2" Overflow Connection (9130, 9140 Only)	ADD 362.00
-SS	For use with Stainless Steel Sink	N/C

SPECIALTIES

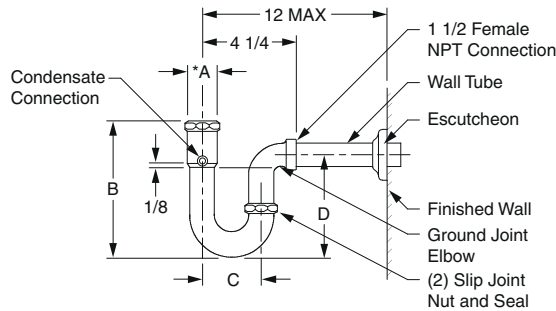
REGULARLY FURNISHED: All Traps with Chrome Plated Strainer, Rubber Gasket and Bronze Cleanout Plug. Cast Iron Traps are White Duco Coated Outside and Acid Resistant Coated Inside. All Bronze Traps are as Cast.

*All Bronze

▲ Conforms to Military Specification MIL S-2143-B Amendment 1.

FIG. 9200 CONDENSATE DRAIN LINE TRAP

FUNCTION: For the collection of condensate from refrigeration or air conditioning equipment. The condensate drains, by gravity, through piping to the tapped inlet on the fixture side of the 9200 trap.



Inlet Outlet Size *A	B	C	D	†17 Gauge Chrome Plated Satin Bronze	17 Gauge Chrome Plated Polished Bronze (-CP)	Approx. Wt. Lbs.
0125 or 0150"	6"	2 7/8"	5"	487.00	586.00	4

REGULARLY FURNISHED: Satin Chrome Plated Cast Bronze P-Trap with Ground Joint Outlet, Threaded Wall Tube, Slip Joint Nuts, Washer, Escutcheon and 1/2" NPT Condensate Connection.

*1 1/4" and 1 1/2" slip joint nuts are provided to accommodate the appropriate fixture tailpiece. Ground joint elbow is threaded 1 1/2" NPT.