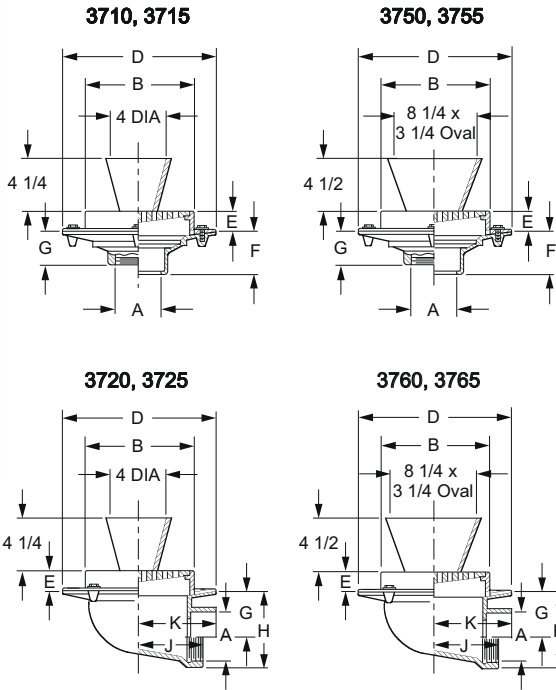


SANITARY DRAINS



FIG. 3710, 3715 3750, 3755 FUNNEL-CEPTOR® INDIRECT WASTE DRAINS, BOTTOM OUTLET, ROUND TOP AND ROUND FUNNEL
FIG. 3720, 3725 3760, 3765 FUNNEL-CEPTOR® INDIRECT WASTE DRAINS, SIDE OUTLET, ROUND TOP AND OVAL FUNNEL

FUNCTION: Used to receive the drip, condensate or waste water from indirect waste lines. The funnel prevents splashing and directs the waste into the drain. The exposed portion of grate serves as drain for any other waste on the floor. The funnel is attached to the grate by means of concealed screws and it may be moved to any grate location desired. Round or oval funnel is recommended for single pipe use only. Adjustable top permits accurate positioning of the grate, as necessary, to meet the finished floor level.



OUTLET VARIATIONS (Specify type of outlet and pipe size in inches.)

Outlet Type	Outlet Designation	ADD
Speedi-Set SW	L02, L03, L04 Bottom Outlet Drains	N/C
Speedi-Set XH	LXH02, LXH03, LXH04	N/C
Threaded	Bottom Outlet Drains	N/C
	T02, T03, T04, T05, T06	77.00
No-Hub	For Side Outlet Drains	N/C
	Y02, Y03, Y04	N/C
	Bottom Outlet Drains	N/C
	8 1/2" Side Outlet Drains	See Fig. 2646Y
	Y02, Y03, Y04	N/C
	12" Side Outlet Drains	N/C
	Y05, Y06	See Fig. 2646Y

Δ 6" Outlets only available w/12" Tops.

OPTIONS:	ADD
-B Sediment Bucket for 8 1/2" Drains	138.00
for 12" Drains	185.00
-P Trap Primer Connection	163.00
-SG Secured Grate	146.00
-U Vandal Proof Screws	146.00

FIG. NO.	A OUTLET SIZE	B DIA TOP SIZE	D DIA	E	F	G THD	FREE AREA SQ IN	DUCO †CI TOP	PB TOP	NB TOP	CP TOP	APPROX. WEIGHT LBS.
3710	02", 03", 04"	8 1/2	11 1/2	2	3 3/4	2	14.25	682.00	1,312.00	1,476.00	1,615.00	33
3715	02", 03", 04"	12	15 1/4	2 1/2	5	3 3/4	28.5	1,218.00	2,055.00	2,222.00	2,440.00	58
3715	05", 06"Δ	12	15 1/4	2 1/2	5	3 3/4	28.5	1,218.00	2,055.00	2,222.00	2,440.00	58
3750	02", 03", 04"	8 1/2	11 1/2	2	3 3/4	2	14.25	933.00	1,760.00	1,925.00	2,110.00	33
3755	02", 03", 04"	12	15 1/4	2 1/2	5	3 3/4	28.5	1,470.00	2,505.00	2,675.00	2,940.00	58
3755	05", 06"Δ	12	15 1/4	2 1/2	5	3 3/4	28.5	1,470.00	2,505.00	2,675.00	2,940.00	58

*Add 1/4" when bronze top is specified.

Δ 6" Outlets only available w/12" Tops.

FIG. NO.	A OUTLET SIZE	B DIA TOP SIZE	D DIA	E	G	H	J	K	FREE AREA SQ IN	DUCO †CI TOP	PB TOP	NB TOP	CP TOP	APPROX. WEIGHT LBS.
3720	02"	8 1/2	12	2	4 1/4	6	4	5 1/2	14.25	1,113.00	1,743.00	1,907.00	2,090.00	33
3720	03"	8 1/2	12	2	3 3/4	6	4	5 1/2	14.25	1,113.00	1,743.00	1,907.00	2,090.00	33
3720	04"	8 1/2	12	2	3 1/4	6	4	5 1/2	14.25	1,113.00	1,743.00	1,907.00	2,090.00	33
3725	02"	12	15 1/4	2 1/2	6 7/8	9	6	6 3/4	28.5	1,876.00	2,713.00	2,776.00	2,984.00	58
3725	03"	12	15 1/4	2 1/2	6 3/8	9	6	6 3/4	28.5	1,876.00	2,713.00	2,776.00	2,984.00	58
3725	04"	12	15 1/4	2 1/2	5 7/8	9	6	6 3/4	28.5	1,876.00	2,713.00	2,776.00	2,984.00	58
3725	05"	12	15 3/4	2 1/2	5	9	6 3/4	7 3/4	28.5	1,876.00	2,713.00	2,776.00	2,984.00	58
3725	06"	12	15 3/4	2 1/2	4	9	6 3/4	7 3/4	28.5	1,876.00	2,713.00	2,776.00	2,984.00	58
3760	02"	8 1/2	12	2	4 1/4	6	4	5 1/2	14.25	1,360.00	2,187.00	2,352.00	2,588.00	33
3760	03"	8 1/2	12	2	3 3/4	6	4	5 1/2	14.25	1,360.00	2,187.00	2,352.00	2,588.00	33
3760	04"	8 1/2	12	2	3 1/4	6	4	5 1/2	14.25	1,360.00	2,187.00	2,352.00	2,588.00	33
3765	02"	12	15 1/4	2 1/2	6 7/8	9	6	6 3/4	28.5	2,127.00	3,162.00	3,332.00	3,482.00	58
3765	03"	12	15 1/4	2 1/2	6 3/8	9	6	6 3/4	28.5	2,127.00	3,162.00	3,332.00	3,482.00	58
3765	04"	12	15 1/4	2 1/2	5 7/8	9	6	6 3/4	28.5	2,127.00	3,162.00	3,332.00	3,482.00	58
3765	05"	12	15 3/4	2 1/2	5	9	6 3/4	7 3/4	28.5	2,127.00	3,162.00	3,332.00	3,482.00	58
3765	06"	12	15 3/4	2 1/2	4 1/2	9	6 3/4	7 3/4	28.5	2,127.00	3,162.00	3,332.00	3,482.00	58

REGULARLY FURNISHED: Duco Cast Iron Flanged Receptor, Bar Grate and Funnel.