

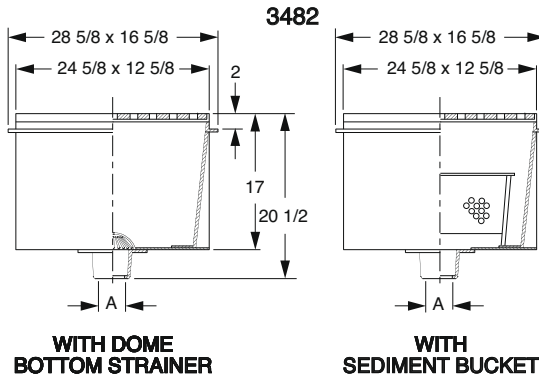
SANITARY DRAINS



FIG. 3482 SERIES SANI-CEPTOR® ARC FLOOR & INDIRECT WASTE DRAINS, EXTRA LARGE DEEP RECEPTOR, ARC RECTANGULAR NON-TRAFFIC TOP

FUNCTION: Used in kitchens, hospitals, food markets, restaurants, schools and all types of food handling areas not subject to foot or other traffic where the ultimate in sanitation is desirable and a large capacity receptor is required. Rectangular top is ideal for use under counters and along walls.

OUTLET VARIATIONS (Specify type of outlet and pipe size in inches.)



Outlet Type	Outlet Designation	ADD
Inside Caulk	C02, C03, C04, C05, C06	N/C
No-Hub	Y02, Y03, Y04	N/C

OPTIONS:	ADD
-C Flashing Clamp	562.00
-G All Galvanized Receptor	N/C
-P Trap Primer Connection	377.00
-PDBS Polished Aluminum DBS	57.00
-12 Acid Resistant Coated 1/2 Grate	N/C
-13 Acid Resistant Coated 3/4 Grate	N/C

	DEDUCT
-FBS Alum FBS (Replaces DBS)	22.00
-10 Less Grate	937.00

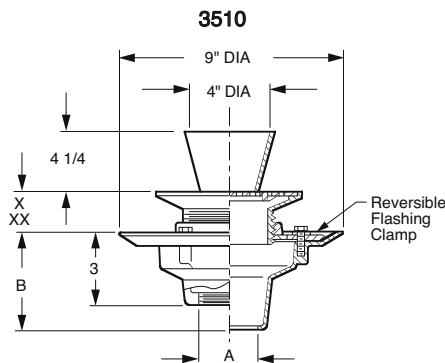
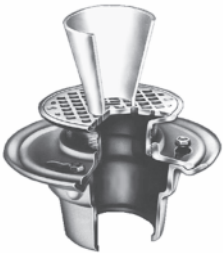
FIG. NO.	A OUTLET SIZE	TOP SIZE	FREE AREA SQ IN	†ALUMINUM DOME BOTTOM STRAINER	†STAINLESS STEEL SEDIMENT BUCKET	APPROX. WEIGHT LBS
3482	02", 03", 04"	24 x12"	125	9,490.00	-	130
3482	05", 06"	24 x12"	125	9,490.00	-	130
3483	02", 03", 04"	24 x12"	125	-	11,370.00	130
3483	05", 06"	24 x12"	125	-	11,370.00	130

REGULARLY FURNISHED: Fabricated Steel Flanged Receptor with Acid Resistant Coated Interior with Loose Set Acid Resistant Coated Grates, Aluminum Dome Bottom Strainer or Stainless Steel Sediment Bucket as Indicated By Figure Number.

FIG. 3510-F11 FUNNEL-CEPTOR® INDIRECT WASTE DRAINS WITH ADJUSTABLE STRAINER HEADS

FUNCTION: Used to receive waste water from indirect waste lines. Exposed grate surrounding funnel serves as drain for surrounding floor area. Adjustable strainer heads permit accurate positioning to meet finished floor level.

OUTLET VARIATIONS (Specify type of outlet and pipe size in inches.)



Outlet Type	Outlet Designation	"B" Body HT. DIM.	ADD
Inside Caulk	C02, C03, C04	4"	N/C
Speedi-Set SW	L02, L03, L04	4"	N/C
Speedi-Set XH	LXH02, LXH03, LXH04	4"	N/C
Threaded	T02, T03, T04	3"	77.00
No-Hub	Y02, Y03, Y04	4"	N/C

OPTIONS:	ADD	
-B Sediment Bucket	108.00	
-BB Bronze Body (2-4")	1,205.00	
5" or 6"	3,703.00	
-G Galvanized Body	195.00	
-P Trap Primer Conn	N/C	
-U Vandal Proof Screws	54.00	
3581 6" Dia Funnel, PB or NB	204.00	
CP	221.00	
3590 6 x 2 1/2 x 1" Funnel	N/C	
Funnel Threaded into Grate	268.00	
Drain Body Only	Duco CI	Galv CI
02, 03, 04"	191.00	386.00

A OUTLET SIZE	STRAINER SIZE DIA	FREE AREA SQ IN DIA	*X MIN	*X MAX	**XX MIN	**XX MAX	PB TOP & FUNNEL	†NB TOP & FUNNEL	CP TOP & FUNNEL	APPROX. WEIGHT LBS.
02, 03, 04"	05"	7	1 1/4"	2 1/4"	3/4"	1 5/8"	822.00	908.00	970.00	13
02, 03, 04"	06"	9	1 1/4"	2 1/4"	3/4"	1 5/8"	892.00	1,014.00	1,091.00	14
02, 03, 04"	07"	14	1 1/4"	2 1/4"	7/8"	1 7/8"	1,007.00	1,103.00	1,195.00	15
02, 03, 04"	08"	17	1 1/2"	2 1/2"	1"	1 7/8"	1,168.00	1,277.00	1,382.00	18
02, 03, 04"	09", 10"						1,463.00	1,584.00	1,723.00	20

* Collar in high position.
** Collar in low position.

REGULARLY FURNISHED: Duco Cast Iron Body and Flashing Collar with Adjustable Strainer Head with Secured Square Hole Grate and Funnel attached to the grate with concealed screws, permitting funnel to be moved to different positions on the grate. Type of Body and Strainer Head as indicated by Figure Number and Strainer Suffix Letter Selected.

NOTE: For body only pricing see Fig. 2010.

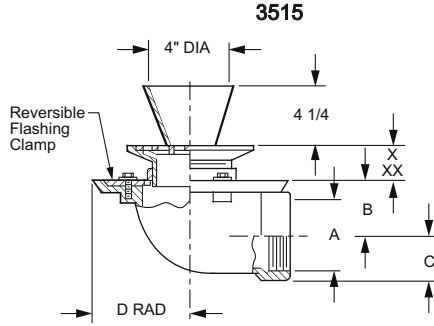
†REGULARLY FURNISHED

SANITARY DRAINS



FIG. 3515-F11 FUNNEL-CEPTOR® INDIRECT WASTE DRAINS WITH ADJUSTABLE STRAINER HEADS

FUNCTION: Used to receive waste water from indirect waste lines. Exposed grate surrounding funnel serves as drain for surrounding floor area. Adjustable strainer heads permit accurate positioning to meet finished floor level.



OUTLET VARIATIONS (Specify type of outlet and pipe size in inches.)

Outlet Type	Outlet Designation Outlet Type/Pipe Size	ADD
Threaded.....	T02, T03, T04	N/C
No-Hub.....	Y02, Y03, Y04	See Fig. 2646Y
OPTIONS:		
-B	Sediment Bucket	108.00
-G	Galvanized Body	195.00
-P	Trap Primer Conn	N/C
-U	Vandal Proof Screws	54.00
	3581 6" Dia Funnel, PB or NB	204.00
	CP	221.00
	3590 6 x 2 1/2 x 1" Funnel	N/C
	Funnel Threaded into Grate	268.00
Drain Body Only	Duco CI	Galv CI
02, 03"	408.00	603.00
04"	499.00	694.00

A OUTLET SIZE	STRAINER SIZE DIA	FREE AREA SQ IN DIA	B	C	D	*X MIN MAX	**XX MIN MAX	PB TOP & FUNNEL	†NB TOP & FUNNEL	CP TOP & FUNNEL	APPROX. WEIGHT LBS.
02"	05"	7	2 3/4	1 1/4	4 3/4	1 1/4 2 1/4	3/4 1 5/8	1,039.00	1,125.00	1,187.00	18
03"	05"	7	2 3/4	2 1/4	4 3/4	1 1/4 2 1/4	3/4 1 5/8	1,039.00	1,125.00	1,187.00	18
04"	05"	7	3 1/4	3 1/4	6	1 1/4 2 1/4	3/4 1 5/8	1,130.00	1,216.00	1,278.00	20
02"	06"	9	2 3/4	1 1/4	4 3/4	1 1/4 2 1/4	3/4 1 5/8	1,109.00	1,231.00	1,308.00	19
03"	06"	9	2 3/4	2 1/4	4 3/4	1 1/4 2 1/4	3/4 1 5/8	1,109.00	1,231.00	1,308.00	19
04"	06"	9	3 1/4	3 1/4	6	1 1/4 2 1/4	3/4 1 5/8	1,200.00	1,322.00	1,399.00	19
02"	07"	14	2 3/4	1 1/4	4 3/4	1 1/4 2 1/4	7/8 1 7/8	1,225.00	1,320.00	1,412.00	20
03"	07"	14	2 3/4	2 1/4	4 3/4	1 1/4 2 1/4	7/8 1 7/8	1,225.00	1,320.00	1,412.00	20
04"	07"	14	3 1/4	3 1/4	6	1 1/4 2 1/4	7/8 1 7/8	1,316.00	1,411.00	1,503.00	20
02"	08"	17	2 3/4	1 1/4	4 3/4	1 1/2 2 1/2	1 1 7/8	1,168.00	1,277.00	1,382.00	22
03"	08"	17	2 3/4	2 1/4	4 3/4	1 1/2 2 1/2	1 1 7/8	1,385.00	1,494.00	1,599.00	22
04"	08"	17	3 1/4	3 1/4	6	1 1/2 2 1/2	1 1 7/8	1,476.00	1,585.00	1,690.00	25

NOTE: For body only pricing see Fig. 2015.

* Collar in high position.
** Collar in low position.

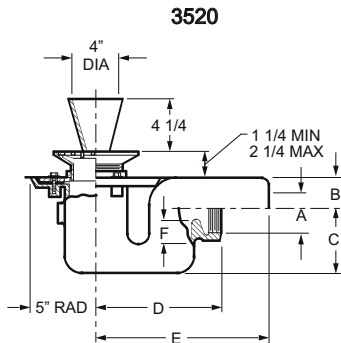
REGULARLY FURNISHED: Duco Cast Iron Body and Flashing Collar with Adjustable Strainer Head with Secured Square Hole Grate and Funnel attached to the grate with concealed screws, permitting funnel to be moved to different positions on the grate. Type of Body and Strainer Head as indicated by Figure Number and Strainer Suffix Letter Selected.

FIG. 3520-F11 SERIES FUNNEL-CEPTOR® INDIRECT WASTE DRAINS W/ADJUSTABLE STRAINER HEADS, SHALLOW TRAP

FUNCTION: Used to receive waste water from indirect waste lines. Exposed grate surrounding funnel serves as drain for surrounding floor area. Adjustable strainer heads permit accurate positioning to meet finished floor level.

OUTLET VARIATIONS (Specify type of outlet and pipe size in inches.)

Outlet Type	Outlet Designation Outlet Type/Pipe Size	ADD
Spigot (3521).....	S02, S03, S04	N/C
Threaded (3520).....	T02, T03, T04	N/C
OPTIONS:		
-B	Sediment Bucket	108.00
-BFV	Ball Float Backwater Valve	377.00
-G	Galvanized Body	414.00
-NH	High Aux Inlet.....	344.00
-P	Trap Primer Conn.....	163.00
-U	Vandal Proof Screws	54.00
	3581 6" Dia Funnel, NB or PB	204.00
	CP	221.00
	3590 6x2 1/2x1" Funnel.....	N/C
	Funnel Threaded into Grate	268.00
Drain Body Only	Duco CI	Galv CI
02, 03"	562.00	976.00
04"	888.00	1,302.00



A OUTLET SIZE	STRAINER SIZE DIA	FREE AREA SQ IN DIA	B	C	D	E	F SEAL	PB TOP & FUNNEL	†NB TOP & FUNNEL	CP TOP & FUNNEL	APPROX. WEIGHT LBS.
02"	05"	7	1 3/4	5	6 3/4	9 1/2	2	1,193.00	1,279.00	1,341.00	21
03"	05"	7	2 1/4	4 1/2	9	12 1/4	2	1,193.00	1,279.00	1,341.00	21
04"	05"	7	3	8 1/2	10	12 3/4	2 1/2	1,519.00	1,605.00	1,667.00	22
02"	06"	9	1 3/4	5	6 3/4	9 1/2	2	1,263.00	1,385.00	1,462.00	22
03"	06"	9	2 1/4	4 1/2	9	12 1/4	2	1,263.00	1,385.00	1,462.00	22
04"	06"	9	3	8 1/2	10	12 3/4	2 1/2	1,589.00	1,711.00	1,788.00	21
02"	07"	14	1 3/4	5	6 3/4	9 1/2	2	1,379.00	1,474.00	1,566.00	31
03"	07"	14	2 1/4	4 1/2	9	12 1/4	2	1,379.00	1,474.00	1,566.00	31
04"	07"	14	3	8 1/2	10	12 3/4	2 1/2	1,705.00	1,800.00	1,892.00	31
02"	08"	17	1 3/4	5	6 3/4	9 1/2	2	1,539.00	1,648.00	1,753.00	39
03"	08"	17	2 1/4	4 1/2	9	12 1/4	2	1,539.00	1,648.00	1,753.00	39
04"	08"	17	3	8 1/2	10	12 3/4	2 1/2	1,865.00	1,974.00	2,079.00	40

REGULARLY FURNISHED: Duco Cast Iron Body and Flashing Collar with Adjustable Strainer Head with Secured Square Hole Grate and Funnel attached to the grate with concealed screws, permitting funnel to be moved to different positions on the grate. Type of Body and Strainer Head as indicated by Figure Number and Strainer Suffix Letter Selected.

NOTE: For body only pricing see Fig. 2020, 2021.