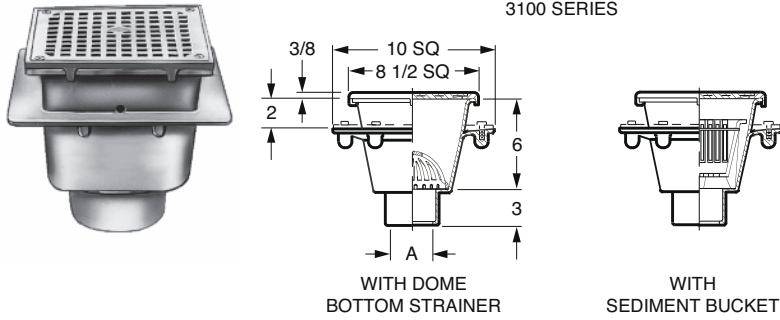


# SANITARY DRAINS



**FIG. 3100 SERIES SANI-CEPTOR® ARC FLOOR & INDIRECT WASTE DRAINS, MEDIUM RECEPTOR, SQ NB TOP**  
**FIG. 3110, 3120, 3130 SERIES SANI-CEPTOR® ARC FLOOR & INDIRECT WASTE DRAINS, MEDIUM & DEEP RECEPTORS, SQ NB TOP**

**FUNCTION: 3100 Series:** Used in kitchens, hospitals, food markets, restaurants, schools and all types of food handling areas where the ultimate in sanitation is desirable and a medium capacity receptor is required.



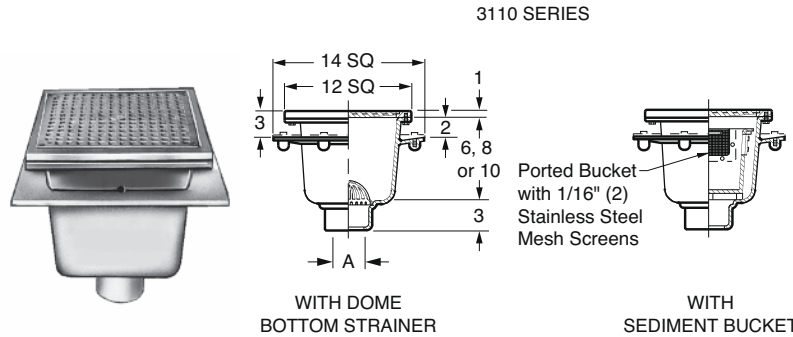
WITH DOME  
BOTTOM STRAINER

WITH  
SEDIMENT BUCKET

**REGULARLY FURNISHED:** Cast Iron Flanged Receptor with Seepage Holes, Acid Resistant Coated Interior, Nickel Bronze Rim and Secured Grate. Aluminum Dome Bottom Strainer or Plastic ABS Sediment Bucket as Indicated by Figure Number.

| FIG. NO. | A<br>OUTLET<br>SIZE | TOP<br>SIZE | FREE<br>AREA<br>SQ IN | †ALUMINUM<br>DOME BOTTOM<br>STRAINER | †ABS<br>SEDIMENT<br>BUCKET | APPROX.<br>WEIGHT<br>LBS |
|----------|---------------------|-------------|-----------------------|--------------------------------------|----------------------------|--------------------------|
| 3100     | 02", 03", 04"       | 8 1/2"      | 19.43                 | 2,182.00                             | -                          | 22                       |
| 3101     | 02", 03", 04"       | 8 1/2"      | 19.43                 | -                                    | 2,379.00                   | 23                       |

**FUNCTION: 3110, 3120, 3130 Series:** Used in creameries, dairies, breweries and other locations which utilize a quarry tile floor requiring a 3" flange to top dimension. The ported sediment bucket catches all solids yet provides ample drainage.



WITH DOME  
BOTTOM STRAINER

WITH  
SEDIMENT BUCKET

**REGULARLY FURNISHED:** Cast Iron Flanged Receptor with Seepage Holes, Acid Resistant Coated Interior, Nickel Bronze Rim and Secured Grate. Aluminum Dome Bottom Strainer or Sediment Bucket as Indicated by Figure Number.

| FIG. NO. | A<br>OUTLET<br>SIZE | TOP<br>SIZE | SUMP<br>DEPTH | FREE<br>AREA<br>SQ IN | †ALUMINUM<br>DOME BOTTOM<br>STRAINER | †ALUMINUM<br>SEDIMENT<br>BUCKET | APPROX.<br>WEIGHT<br>LBS |
|----------|---------------------|-------------|---------------|-----------------------|--------------------------------------|---------------------------------|--------------------------|
| 3110     | 02", 03", 04"       | 12"         | 6             | 42                    | 3,539.00                             | -                               | 35                       |
| 3111     | 02", 03", 04"       | 12"         | 6             | 42                    | -                                    | 3,857.00                        | 36                       |
| 3120     | 02", 03", 04"       | 12"         | 8             | 42                    | 3,651.00                             | -                               | 52                       |
| 3121     | 02", 03", 04"       | 12"         | 8             | 42                    | -                                    | 3,964.00                        | 55                       |
| 3130     | 02", 03", 04"       | 12"         | 10            | 42                    | 3,769.00                             | -                               | 67                       |
| 3131     | 02", 03", 04"       | 12"         | 10            | 42                    | -                                    | 4,083.00                        | 71                       |

**OUTLET VARIATIONS** (Specify type of outlet and pipe size in inches.)

| Outlet Type          | Outlet Designation  | ADD   |
|----------------------|---------------------|-------|
| Inside Caulk         | C02, C03, C04       | N/C   |
| Speedi-Set Outlet SW | L02, L03, L04       | N/C   |
| Speedi-Set Outlet XH | LXH02, LXH03, LXH04 | N/C   |
| Speedi-Seal Gasket*  | 02, 03, 04          | 57.00 |
| No-Hub               | Y02, Y03, Y04       | N/C   |

| OPTIONS:   | ADD                    | 3100<br>SERIES | 3110/3120/3130<br>SERIES |
|--|------------------------|----------------|--------------------------|
| -ASB Alum Slotted Bucket (Bkt Models Only)                         | N/C                    |                |                          |
| -BS SS Mesh Lined Bkt (Bkt Models Only)                            | 471.00                 |                |                          |
| -C Flashing Clamp  | 185.00                 | 195.00         |                          |
| -DBSE ARC Dome Bottom Strainer                                     | 318.00                 | 318.00         |                          |
| -DID Drain Installation Device                                     | 206.00                 | 206.00         |                          |
| -G All Galvanized Receptor   | N/C                    | N/C            |                          |
| -PDBS Polished Alum DBS  | 57.00                  | 57.00          |                          |
| -P Trap Primer Connection  | 191.00                 | 191.00         |                          |
| -SBP Solid Bottom Ported Bucket w/Mesh Screen (Bucket Models Only) | 239.00                 |                |                          |
| -U Vandal Proof Screws   | 76.00                  | 76.00          |                          |
| -12 W/NB Rim and 1/2 Grate   | N/C                    | N/C            |                          |
| -13 W/NB Rim and 3/4 Grate   | N/C                    | N/C            |                          |
| -14 W/NB Rim & Grate w/2 1/2 SQ Ctr Hole                           | 177.00                 | 177.00         |                          |
| -15 W/NB Rim and Alum Recessed Grate                               | 191.00                 | 349.00         |                          |
| -18 W/NB Rim and Angle Grate                                       | -                      | 1,187.00       |                          |
| -19 W/NB Rim and Hinged Grate                                      | 349.00                 | 349.00         |                          |
| -21 W/NB Rim & Grate w/4" Dia NB Funnel                            | 425.00                 | 425.00         |                          |
| -22 W/NB Rim & Grate w/6" Dia NB Funnel                            | 630.00                 | 630.00         |                          |
| -25 W/NB Rim & Grate w/8 1/4 x 3 1/4 x 4 1/2 Oval NB Funnel        | 877.00                 | 877.00         |                          |
| -26 W/NB Rim & Grate w/6 x 2 1/2 x 1 Oval NB Funnel                | 425.00                 | 425.00         |                          |
| -41 W/NB Rim and Solid Cover                                       | 167.00                 | 228.00         |                          |
| -42 W/NB Rim and 1/2 Solid Cover                                   | 167.00                 | 228.00         |                          |
| -43 W/NB Rim and 3/4 Solid Cover                                   | 167.00                 | 228.00         |                          |
| -44 W/NB Rim and Solid Cvr 2 1/2" Dia Ctr Hole                     | 344.00                 | 402.00         |                          |
| -69 W/NB Rim and XH Stainless Steel Secured Grate (12" tops)       | -                      | 2,350.00       |                          |
| -CI Duco Cast Iron Receptor  | 166.00                 | 285.00         |                          |
| -FBS Alum. Flat Bottom Strnr (Replaces DBS)                        | 22.00                  | 22.00          |                          |
| -10 Less NB Rim & Grate  | 431.00                 | 1,257.00       |                          |
| -11 Less Grate, with NB Rim  | 210.00                 | 487.00         |                          |
| Less Flange  |                        | 383.00         |                          |
|  | For 3120, Specify 3125 |                |                          |
|  | For 3121, Specify 3126 |                |                          |

\*Speedi-Seal Gasket Available for use with 2, 3, or 4" Caulk Outlet Bodies as Indicated. Specify Service Weight (SW) or Extra Heavy (XH).