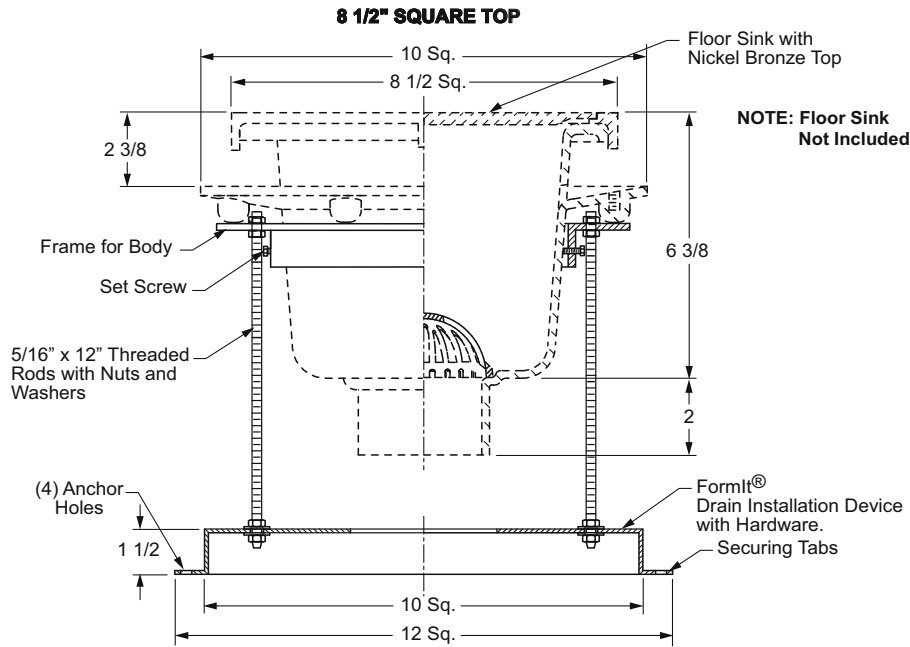


SANITARY DRAINS



FIG. 3038-DID FORMIT® DRAIN INSTALLATION DEVICE FOR 8 1/2" SQUARE ENAMELED FLOOR SINK SERIES

FUNCTION: The Jay R. Smith Mfg. Co.® FormIt® Drain Installation Device is designed to stabilize the drain and provide adjustment during the installation process and allows final connection of outlet piping to drain after the concrete pour.

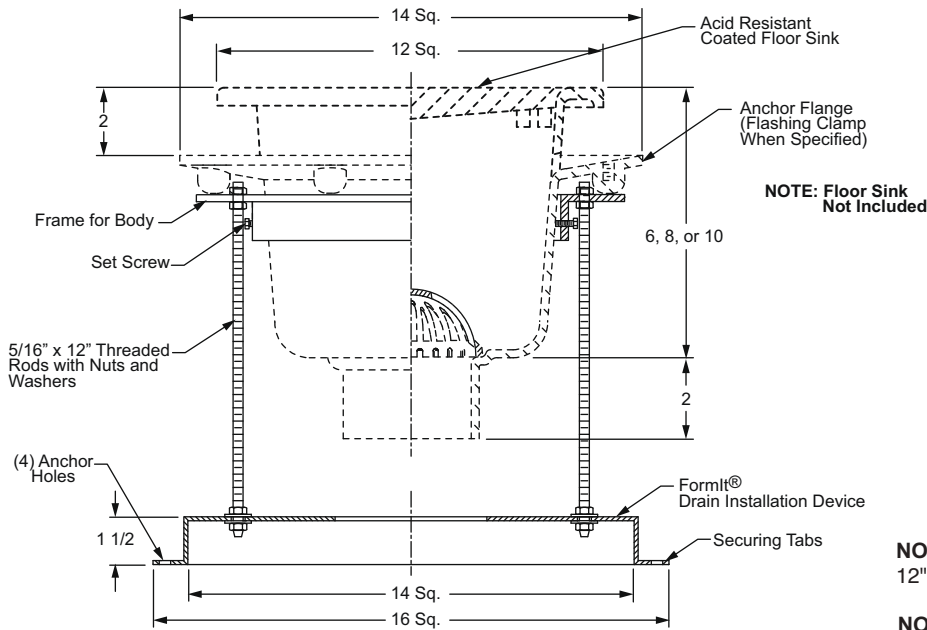


REGULARLY FURNISHED: FormIt® Drain Installation Device for 8 1/2" Square Enameled Floor Sink Series.

NOTE: Applies to Figure Numbers: 3040, 3100, 3101, 3410 & 3411. For pricing, refer to appropriate Figure Number.

FIG. 3039-DID FORMIT® DRAIN INSTALLATION DEVICE FOR 12" SQUARE ENAMELED FLOOR SINK SERIES

FUNCTION: The Jay R. Smith Mfg. Co.® FormIt® Drain Installation Device is designed to stabilize the drain and provide adjustment during the installation process and allows final connection of outlet piping to drain after the concrete pour.



REGULARLY FURNISHED: FormIt® Drain Installation Device for 12" Square Enameled Floor Sink Series.

NOTE: Designed to be used with Smith 12" square top drains.

NOTE: Applies to Figure Numbers: 3060, 3110, 3111, 3120, 3121, 3130, 3131, 3140, 3141, 3150, 3151, 3160, 3161, 3400, 3420, 3421, 3430, 3431, 3440 & 3441. For pricing, refer to appropriate Figure Number.