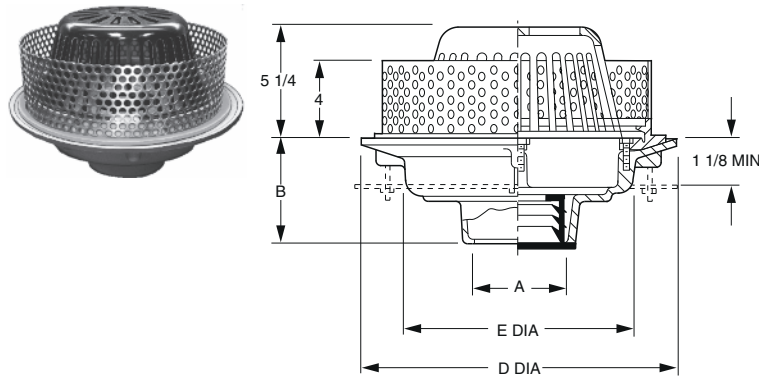


# ROOF DRAINS

## FIG. 1011 IRMA ROOF APPLICATIONS



**FUNCTION:** Used in roof systems where the insulated membrane assembly method of waterproofing is provided. Fig. 1011 is used where built-up felt and asphalt waterproofing is installed. A 4" high perforated stainless steel gravel stop is supplied to retain the crushed gravel used in IRMA flat roof construction.



| A<br>OUTLET<br>SIZE | D<br>FLANGE<br>DIA. | E<br>DIA. | FREE<br>AREA<br>SQ IN | †DUCO CI<br>POLY DOME | DUCO CI W/<br>ALUM DOME | APPROX.<br>WEIGHT<br>LBS |
|---------------------|---------------------|-----------|-----------------------|-----------------------|-------------------------|--------------------------|
| 02, 03, 04"         | 15 1/4"             | 11"       | 102.5                 | 1,494.00              | 1,738.00                | 28                       |
| 05, 06"             | 15 1/4"             | 11"       | 102.5                 | 1,790.00              | 2,034.00                | 28                       |

| A<br>OUTLET<br>SIZE | D<br>FLANGE<br>DIA. | E<br>DIA. | FREE<br>AREA<br>SQ IN | **†DUCO CI<br>CI DOME | DUCO CI W/<br>ALUM DOME | APPROX.<br>WEIGHT<br>LBS |
|---------------------|---------------------|-----------|-----------------------|-----------------------|-------------------------|--------------------------|
| 08"                 | 20"                 | 16"       | 228                   | 2,666.00              | 3,250.00                | 60                       |
| 10"                 | 20"                 | 16"       | 228                   | 2,934.00              | 3,518.00                | 60                       |

\*\*Add \$356.00 to Galvanize the Cast Iron Dome.

**REGULARLY FURNISHED:** Duco Cast Iron Body with Flashing Clamp, 1/16" Thick, 4" High Stainless Steel Perforated Gravel Stop with 3/8" Dia. Openings and Dome.

**OUTLET VARIATIONS** (Specify type of outlet and pipe size in inches.)

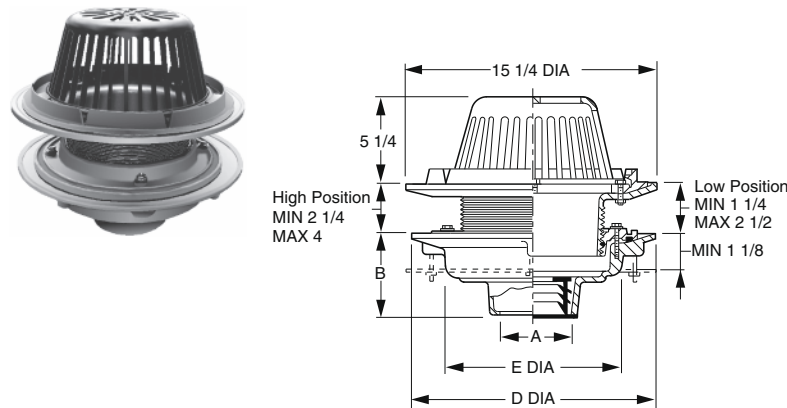
| Outlet Type   | Outlet Designation<br>Outlet Type/Pipe Size | "B"<br>Body HT.<br>DIM. | ADD   |
|---------------|---|-------------------------|-------|
| Inside Caulk  | C02, C03, C04, C05, C06                     | 5"                      | N/C   |
|               | C08, C10                                    | 7 3/4"                  | N/C   |
| Speedi-Set SW | L02, L03, L04                               | 5"                      | N/C   |
| Speedi-Set XH | LXH02, LXH03, LXH04                         | 5"                      | N/C   |
| Threaded      | T02, T03, T04, T05, T06                     | 3 3/4"                  | 77.00 |
|               | T08, T10                                    | 7 3/4"                  | 77.00 |
| No-Hub        | Y02, Y03, Y04, Y05, Y06                     | 5"                      | N/C   |
|               | Y08, Y10                                    | 7 3/4"                  | N/C   |

**OPTIONS:**

| OPTION | DESCRIPTION                                       | ADD      |
|--------|---|----------|
| -AA    | Aluminum Body                                     | POA      |
| -C     | Aluminum Underdeck Clamp (15 & 16" Flange Bodies) | 241.00   |
| -C     | Cast Iron Underdeck Clamp (20" Flange Bodies)     | 479.00   |
| -CID   | CI Dome (when not reg. furn.)                     | 210.00   |
| -CIDG  | Cast Iron Dome with Galvanizing                   | 568.00   |
| -CID8  | 8" High CI Dome                                   | 458.00   |
| -CL    | Angular Underdeck Clamp                           | 487.00   |
| -DE    | Deck Elevation Extension (Deck Elevator Kit)      | 1,030.00 |
| -G     | Galvanized CI                                     | 956.00   |
| -GG    | Perf SS Gravel Stop over 4", per inch             | 76.00    |
| -PDSSM | SS Mesh on Poly Dome                              | 499.00   |
| -R     | Sump Receiver                                     | 268.00   |
| -R     | Sump Receiver (20" Flange Bodies)                 | 537.00   |
| -RBD   | Rough Bronze Dome                                 | 827.00   |
| -RDP   | Roof Deck Plate (15 & 16" Flange Bodies)          | 432.00   |
| -RDP   | Roof Deck Plate (20" Flange Bodies)               | 772.00   |
| -SSM   | SS Mesh on Metal Dome                             | 499.00   |
| -U     | Vandal Proof Dome                                 | 123.00   |

## FIG. 1015 ROOF DRAIN WITH ADJUSTABLE EXTENSION

**FUNCTION:** Used in flat roofs of any construction. The adjustable extension sleeve permits adjustment from a minimum of 1 1/4" to a maximum of 4", easily accommodating up to 2 3/4" of varying insulation thicknesses. The positive threading allows smooth perimeter movement and circumferential support of the top at any adjusted elevation. Large low profile dome provides sufficient free area for quick drainage of rainwater and protection against debris.



| A<br>OUTLET<br>SIZE | D<br>FLANGE<br>DIA. | E<br>DIA. | FREE<br>AREA<br>SQ IN | †DUCO CI<br>POLY DOME | APPROX.<br>WEIGHT<br>LBS |
|---------------------|---------------------|-----------|-----------------------|-----------------------|--------------------------|
| 02, 03, 04"         | 15 1/4"             | 11"       | 102.5                 | 1,411.00              | 54                       |
| 05, 06"             | 15 1/4"             | 11"       | 102.5                 | 1,715.00              | 54                       |
| 08"                 | 16"                 | 12 1/2"   | 102.5                 | 2,021.00              | 58                       |

**REGULARLY FURNISHED:** Duco Cast Iron Body with Adjustable Extension Sleeve, Reversible Collar, Combined Flashing Clamp and Gravel Stop, with Polyethylene Dome.

**OUTLET VARIATIONS** (Specify type of outlet and pipe size in inches.)

| Outlet Type   | Outlet Designation<br>Outlet Type/Pipe Size | "B"<br>Body HT.<br>DIM. | ADD   |
|---------------|---|-------------------------|-------|
| Inside Caulk  | C02, C03, C04, C05, C06                     | 5"                      | N/C   |
|               | C08   | 6"                      | N/C   |
| Speedi-Set SW | L02, L03, L04                               | 5"                      | N/C   |
| Speedi-Set XH | LXH02, LXH03, LXH04                         | 5"                      | N/C   |
| Threaded      | T02, T03, T04, T05, T06                     | 3 3/4"                  | 77.00 |
|               | T08   | 5"                      | 77.00 |
| No-Hub        | Y02, Y03, Y04, Y05, Y06                     | 5"                      | N/C   |
|               | Y08   | 6"                      | N/C   |

**OPTIONS:**

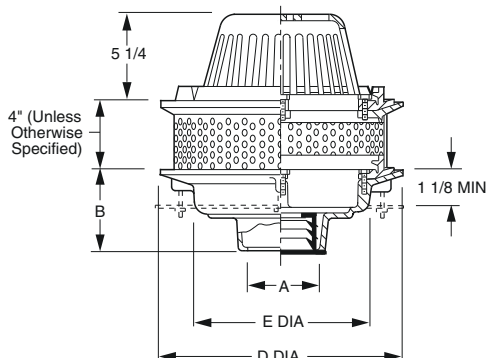
| OPTION | DESCRIPTION                                 | ADD      |
|--------|---|----------|
| -AA    | Aluminum Body                               | POA      |
| -AD    | Aluminum Dome                               | 244.00   |
| -C     | Aluminum Underdeck Clamp                    | 241.00   |
| -C2    | Secondary Flashing Clamp                    | 185.00   |
| -CID   | CI Dome                                     | 210.00   |
| -CIDG  | Cast Iron Dome with Galvanizing             | 568.00   |
| -CID8  | 8" High CI Dome                             | 458.00   |
| -CL    | Angular Underdeck Clamp                     | 487.00   |
| -DE    | Deck Elevator Extension (Deck Elevator Kit) | 1,030.00 |
| -G     | Galvanized CI                               | 1,290.00 |
| -PDSSM | SS Mesh on Poly Dome                        | 499.00   |
| -R     | Sump Receiver                               | 268.00   |
| -RBD   | Rough Bronze Dome                           | 827.00   |
| -RDP   | Roof Deck Plate                             | 432.00   |
| -SSM   | SS Mesh on Metal Dome                       | 499.00   |
| -U     | Vandal Proof Dome                           | 123.00   |

# ROOF DRAINS

## FIG. 1017 IRMA ROOF DRAIN APPLICATIONS



**FUNCTION:** Used in roof systems where the insulated membrane assembly method of waterproofing is provided. Used where built-up felt and asphalt waterproofing is installed. A stainless steel extension gravel stop at height specified is supplied to retain the crushed gravel used in IRMA flat roof construction.



| A<br>OUTLET<br>SIZE | D<br>FLANGE<br>DIA. | E<br>DIA. | FREE<br>AREA<br>SQ IN | †DUCO CI<br>POLY DOME | APPROX.<br>WEIGHT<br>LBS |
|---------------------|---------------------|-----------|-----------------------|-----------------------|--------------------------|
| 02, 03, 04"         | 15 1/4"             | 11"       | 102.5                 | <b>1,494.00</b>       | 40                       |
| 05, 06"             | 15 1/4"             | 11"       | 102.5                 | <b>1,790.00</b>       | 42                       |
| 08"                 | 16"                 | 12 1/2"   | 102.5                 | <b>2,097.00</b>       | 45                       |

**REGULARLY FURNISHED:** Duco Cast Iron Body with Flashing Clamp, Perforated Stainless Steel Extension, Gravel Stop and Polyethylene Dome.

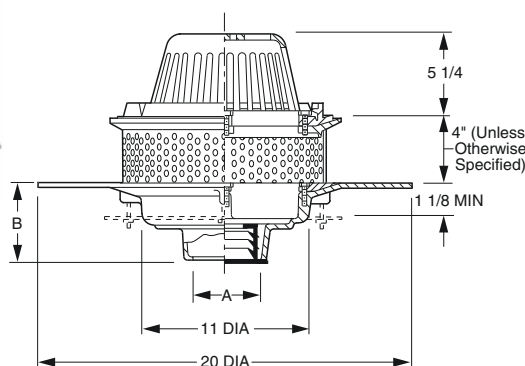
### OUTLET VARIATIONS (Specify type of outlet and pipe size in inches.)

| Outlet Type   | Outlet Designation      | "B" Body HT. DIM. | ADD   |
|---------------|-------------------------|-------------------|-------|
| Inside Caulk  | C02, C03, C04, C05, C06 | 5"                | N/C   |
|               | C08                     | 6"                | N/C   |
| Speedi-Set SW | L02, L03, L04           | 5"                | N/C   |
| Speedi-Set XH | LXH02, LXH03, LXH04     | 5"                | N/C   |
| Threaded      | T02, T03, T04, T05, T06 | 3 3/4"            | 77.00 |
|               | T08                     | 5"                | 77.00 |
| No-Hub        | Y02, Y03, Y04, Y05, Y06 | 5"                | N/C   |
|               | Y08                     | 6"                | N/C   |

| OPTIONS:  | ADD      |
|---|----------|
| -AD Aluminum Dome                               | 244.00   |
| -C Aluminum Underdeck Clamp                     | 241.00   |
| -CID Cl Dome                                    | 210.00   |
| -CIDG Cast Iron Dome with Galvanizing           | 568.00   |
| -CID8 8" High Cl Dome                           | 458.00   |
| -CL Angular Underdeck Clamp                     | 487.00   |
| -DE Deck Elevator Extension (Deck Elevator Kit) | 1,030.00 |
| -G Galvanized Cl                                | 956.00   |
| -GG Perf SS Extension over 4", per inch         | 76.00    |
| -R Sump Receiver                                | 268.00   |
| -RBD Rough Bronze Dome                          | 827.00   |
| -SSM SS Mesh on Metal Dome                      | 499.00   |
| -U Vandal Proof Dome                            | 123.00   |

## FIG. 1018 IRMA ROOF APPLICATIONS

**FUNCTION:** Used in roof systems where the insulated membrane assembly method of waterproofing is provided. Used where a liquid membrane waterproofing is installed. A stainless steel extension gravel stop at height specified is supplied to retain the crushed gravel used in IRMA flat roof construction.



| A<br>OUTLET<br>SIZE | FLANGE<br>DIA. | FREE<br>AREA<br>SQ IN | †DUCO CI<br>POLY DOME | APPROX.<br>WEIGHT<br>LBS |
|---------------------|----------------|-----------------------|-----------------------|--------------------------|
| 02, 03, 04"         | 20"            | 102.5                 | <b>2,809.00</b>       | 36                       |
| 05, 06"             | 20"            | 102.5                 | <b>3,112.00</b>       | 47                       |

**REGULARLY FURNISHED:** Duco Cast Iron Wide Flange Body with Flashing Clamp, Perforated Stainless Steel Extension, Gravel Stop and Polyethylene Dome.

### OUTLET VARIATIONS (Specify type of outlet and pipe size in inches.)

| Outlet Type   | Outlet Designation      | "B" Body HT. DIM. | ADD   |
|---------------|-------------------------|-------------------|-------|
| Inside Caulk  | C02, C03, C04, C05, C06 | 5"                | N/C   |
| Speedi-Set SW | L02, L03, L04           | 5"                | N/C   |
| Speedi-Set XH | LXH02, LXH03, LXH04     | 5"                | N/C   |
| Threaded      | T02, T03, T04, T05, T06 | 3 3/4"            | 77.00 |
| No-Hub        | Y02, Y03, Y04, Y05, Y06 | 5"                | N/C   |

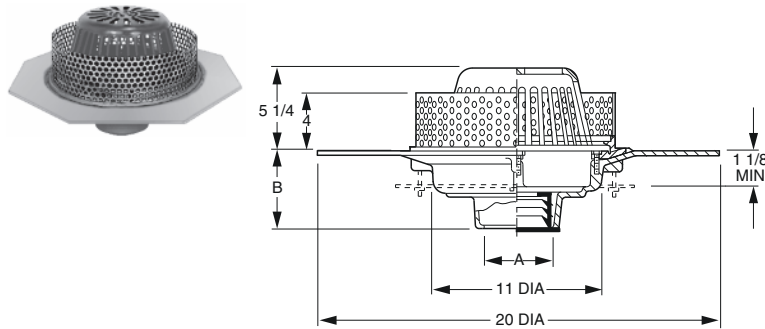
| OPTIONS:                                | ADD      |
|---|----------|
| -AD Aluminum Dome                       | 244.00   |
| -C Aluminum Underdeck Clamp             | 241.00   |
| -CID Cl Dome                            | 210.00   |
| -CIDG Cast Iron Dome with Galvanizing   | 568.00   |
| -CID8 8" High Cl Dome                   | 458.00   |
| -CL Angular Underdeck Clamp             | 487.00   |
| -G Galvanized Cl                        | 1,247.00 |
| -GG Perf SS Extension over 4", per inch | 76.00    |
| -RBD Rough Bronze Dome                  | 827.00   |
| -SSM SS Mesh on Metal Dome              | 499.00   |
| -U Vandal Proof Dome                    | 123.00   |

# ROOF DRAINS

## FIG. 1019 IRMA ROOF APPLICATIONS



**FUNCTION:** Used in roof systems where the insulated membrane assembly method of waterproofing is provided. Fig. 1019 is utilized with a liquid membrane waterproofing. A 4" high perforated stainless steel gravel stop is supplied to retain the crushed gravel used in IRMA flat roof construction.



| A<br>OUTLET<br>SIZE | FLANGE<br>DIA. | FREE<br>AREA<br>SQ IN | †DUCO CI<br>POLY DOME | APPROX.<br>WEIGHT<br>LBS |
|---------------------|----------------|-----------------------|-----------------------|--------------------------|
| 02, 03, 04"         | 20"            | 102.5                 | 2,809.00              | 50                       |
| 05, 06"             | 20"            | 102.5                 | 3,112.00              | 50                       |

**REGULARLY FURNISHED:** Duco Cast Iron Wide Flange Body with Flashing Clamp, 1/16" Thick, 4" High Stainless Steel Perforated Gravel Stop with 3/8" Dia. Openings and Polyethylene Dome.

**OUTLET VARIATIONS** (Specify type of outlet and pipe size in inches.)

| Outlet Type   | Outlet Designation<br>Outlet Type/Pipe Size | "B"<br>Body HT.<br>DIM. | ADD   |
|---------------|---|-------------------------|-------|
| Inside Caulk  | C02, C03, C04, C05, C06                     | 5"                      | N/C   |
| Speedi-Set SW | L02, L03, L04                               | 5"                      | N/C   |
| Speedi-Set XH | LXH02, LXH03, LXH04                         | 5"                      | N/C   |
| Threaded      | T02, T03, T04, T05, T06                     | 3 3/4"                  | 77.00 |
| No-Hub        | Y02, Y03, Y04, Y05, Y06                     | 5"                      | N/C   |

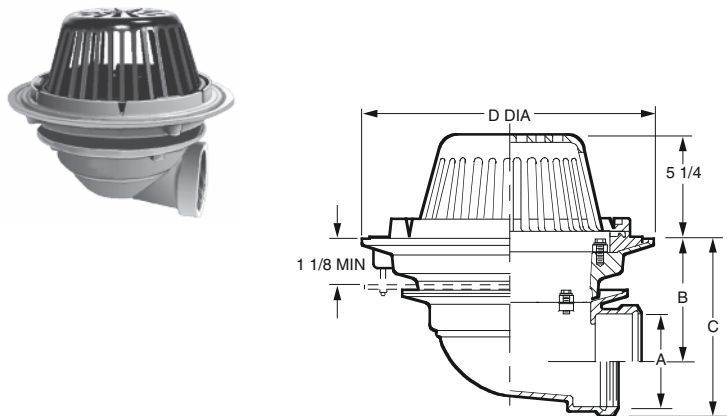
**OPTIONS:**

| OPTION | DESCRIPTION                                 | ADD      |
|--------|---|----------|
| -AD    | Aluminum Dome                               | 244.00   |
| -C     | Aluminum Underdeck Clamp                    | 241.00   |
| -CID   | CI Dome                                     | 210.00   |
| -CIDG  | Cast Iron Dome with Galvanizing             | 568.00   |
| -CID8  | 8" High CI Dome                             | 458.00   |
| -CL    | Angular Underdeck Clamp                     | 487.00   |
| -G     | Galvanized CI                               | 1,247.00 |
| -GG    | Perforated SS Gravel Stop over 4", per inch | 76.00    |
| -RBD   | Rough Bronze Dome                           | 827.00   |
| -U     | Vandal Proof Dome                           | 123.00   |

ROOF DRAINS

## FIG. 1020 16" DIAMETER - LOW PROFILE DOME

**FUNCTION:** Used in flat roof of any construction. Large low profile dome provides sufficient free area for quick drainage of rain water and protects the drain sump and connected piping from the intrusion of debris. Wide clamping surface holds flashing and roofing materials without puncturing.



| A<br>OUTLET<br>SIZE | B      | D<br>FLANGE<br>DIA. | FREE<br>AREA<br>SQ IN | †DUCO CI<br>POLY DOME | APPROX.<br>WEIGHT<br>LBS |
|---------------------|--------|---------------------|-----------------------|-----------------------|--------------------------|
| 02"                 | 6 3/8" | 15 1/4"             | 102.5                 | 1,078.00              | 45                       |
| 03"                 | 6 3/8" | 15 1/4"             | 102.5                 | 1,078.00              | 45                       |
| 04"                 | 5 7/8" | 15 1/4"             | 102.5                 | 1,078.00              | 45                       |
| 05"                 | 5"     | 16"                 | 102.5                 | 1,377.00              | 55                       |
| 06"                 | 4 1/2" | 16"                 | 102.5                 | 1,377.00              | 55                       |

**REGULARLY FURNISHED:** Duco Cast Iron Body with Combined Flashing Clamp and Gravel Stop with Polyethylene Dome.

**OUTLET VARIATIONS** (Specify type of outlet and pipe size in inches.)

| Outlet Type     | Outlet Designation<br>Outlet Type/Pipe Size | "C"<br>Body HT.<br>DIM. | ADD |
|-----------------|---|-------------------------|-----|
| Inside Caulk    | C02   | 8 5/8"                  | N/C |
|                 | C03, C04                                    | 8 3/4"                  | N/C |
|                 | C05, C06                                    | 8 1/2"                  | N/C |
| Threaded Outlet | T02   | 8 5/8"                  | N/C |
|                 | T03, T04                                    | 8 3/4"                  | N/C |
|                 | T05, T06                                    | 8 1/2"                  | N/C |
| No-Hub          | Y02   | 8 5/8"                  | N/C |
|                 | Y03, Y04                                    | 8 3/4"                  | N/C |
|                 | Y05, Y06                                    | 8 1/2"                  | N/C |

See Fig. 2646Y for list add

**OPTIONS:**

| OPTION | DESCRIPTION                         | ADD              |
|--------|-------------------------------------|------------------|
| -AD    | Aluminum Dome                       | 244.00           |
| -C     | Aluminum Underdeck Clamp            | 241.00           |
| -C2    | Secondary Flashing Clamp            | 185.00           |
| -CID   | CI Dome                             | 210.00           |
| -CIDG  | Cast Iron Dome with Galvanizing     | 568.00           |
| -CID8  | CI Dome, 8" High                    | 458.00           |
| -CL    | Angular Underdeck Clamp             | 487.00           |
| -E     | Extension up to 4" per inch over 4" | 660.00<br>157.00 |
| -G     | Galvanized CI                       | 956.00           |
| -R     | Sump Receiver                       | 268.00           |
| -RBD   | Rough Bronze Dome                   | 827.00           |
| -SSM   | SS Mesh on Metal Dome               | 499.00           |
| -U     | Vandal Proof Dome                   | 123.00           |