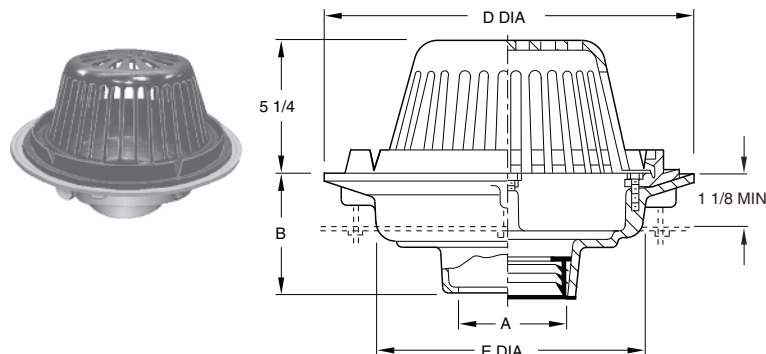


# ROOF DRAINS

## FIG. 1010 16" DIAMETER - LOW PROFILE DOME



**FUNCTION:** Used in flat roof of any construction. Large low profile dome provides sufficient free area for quick drainage of rain water and protects the drain sump and connected piping from the intrusion of debris. Wide clamping surface holds flashing and roofing materials without puncturing.



**OUTLET VARIATIONS** (Specify type of outlet and pipe size in inches.)

Outlet Type	Outlet Designation Outlet Type/Pipe Size	"B" Body HT. DIM.	ADD
Inside Caulk	C02, C03, C04, C05, C06	5"	N/C
	C08, C10	6"	N/C
Speedi-Set SW	L02, L03, L04	5"	N/C
Speedi-Set XH	LXH02, LXH03, LXH04	5"	N/C
Threaded	T02, T03, T04, T05, T06	3 3/4"	77.00
	T08, T10	5"	77.00
No-Hub	Y02, Y03, Y04, Y05, Y06	5"	N/C
	Y08, Y10	6"	N/C
	Y12	7 3/4"	N/C

\*This dimension is for 16" dia. flange size body. For 20" flange size body dimension is 7 3/4".

OPTIONS:	ADD
-AA Aluminum Body (2-6" only)	POA
-B Bucket	255.00
-C Aluminum Underdeck Clamp (15 & 16" Flange Bodies)	241.00
-C Cast Iron Underdeck Clamp (20" Flange Bodies)	479.00
-C2 Secondary Flashing Clamp	185.00
-CID CI Dome (when not reg. furn.)	210.00
-CIDG Cast Iron Dome with Galvanizing	568.00
-CID8 8" High CI Dome	458.00
-CL Angular Underdeck Clamp	487.00
-DE Deck Elevator Extension (Deck Elevator Kit)	1,030.00
-DID Drain Installation Device 2-6"	356.00
-E Extension up to 4"	660.00
per inch over 4"	157.00
-G Galvanized CI	956.00
-GRT CI Grate in lieu of Dome (16" Flange Bodies)	689.00
-PDSSM SS Mesh on Poly Dome	499.00
-R Sump Receiver (15 & 16" Flange Bodies)	268.00
-R Sump Receiver (20" Flange Bodies)	537.00
-RBD Rough Brz Dome	827.00
-RDP Roof Deck Plate (15 & 16" Flange)	432.00
-RDP Roof Deck Plate (20" Flange)	772.00
-SSM SS Mesh on Metal Dome (Specify dome)	499.00
-U Vandal Proof Dome	123.00

A OUTLET SIZE	D FLANGE DIA.	E DIA.	FREE AREA SQ IN	†DUCO CI POLY DOME	DUCO CI W/ ALUM DOME	APPROX. WEIGHT LBS
02, 03, 04"	15 1/4"	11"	102.5	707.00	951.00	28
05, 06"	15 1/4"	11"	102.5	1,010.00	1,254.00	28
08"	16"	12 1/2"	102.5	1,312.00	1,556.00	30

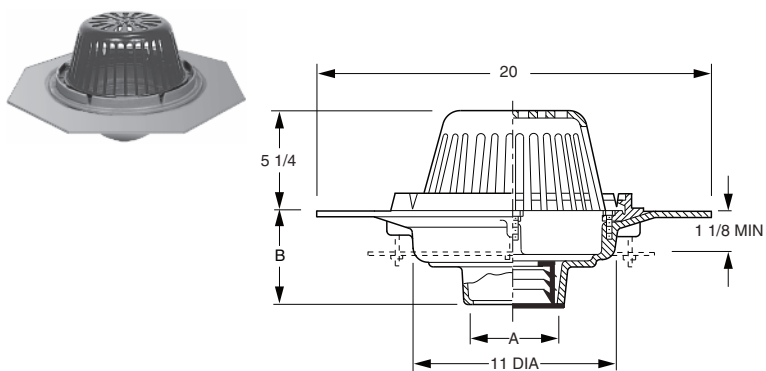
A OUTLET SIZE	D FLANGE DIA.	E DIA.	FREE AREA SQ IN	**†DUCO CI CI DOME	DUCO CI W/ ALUM DOME	APPROX. WEIGHT LBS
08"	20"	16"	228	1,883.00	2,467.00	60
10"	16"	12 1/2"	122.5	2,074.00	2,611.00	62
10"	20"	16"	228	2,149.00	2,733.00	63
12"	20"	16"	228	2,221.00	2,805.00	65

\*\*Add \$356.00 to Galvanize the Cast Iron Dome.

**REGULARLY FURNISHED:** Duco Cast Iron Body with Combined Flashing Clamp and Gravel Stop with Dome.

## FIG. DX1010 WIDE FLANGE BODY - SECURED DOME

**FUNCTION:** For use in promenade roof deck and rooftop recreational areas where traffic bearing roof deck covering is to be applied. Drain body sump is protected from leaves, paper and other debris by large secured dome.



**OUTLET VARIATIONS** (Specify type of outlet and pipe size in inches.)

Outlet Type	Outlet Designation Outlet Type/Pipe Size	"B" Body HT. DIM.	ADD
Inside Caulk	C02, C03, C04, C05, C06	5"	N/C
	C08, C10	6"	N/C
Speedi-Set SW	L02, L03, L04	5"	N/C
Speedi-Set XH	LXH02, LXH03, LXH04	5"	N/C
Threaded	T02, T03, T04, T05, T06	3 3/4"	77.00
	T08, T10	5"	77.00
No-Hub	Y02, Y03, Y04, Y05, Y06	5"	N/C

OPTIONS:	ADD
-AD Aluminum Dome	244.00
-C Aluminum Underdeck Clamp	241.00
-CID CI Dome	210.00
-CIDG Cast Iron Dome with Galvanizing	568.00
-CID8 8" High CI Dome	458.00
-CL Angular Underdeck Clamp	487.00
-G Galvanized CI	1,247.00
-PDSSM SS Mesh on Poly Dome	499.00
-RBD Rough Bronze Dome	827.00
-SH Securing Holes	121.00
-SSM SS Mesh on Metal Dome	499.00
-U Vandal Proof Dome	123.00

A OUTLET SIZE	FLANGE DIA.	FREE AREA SQ IN	†DUCO CI POLY DOME	APPROX. WEIGHT LBS
02, 03, 04"	20"	102.5	2,025.00	50
05, 06"	20"	102.5	2,325.00	50

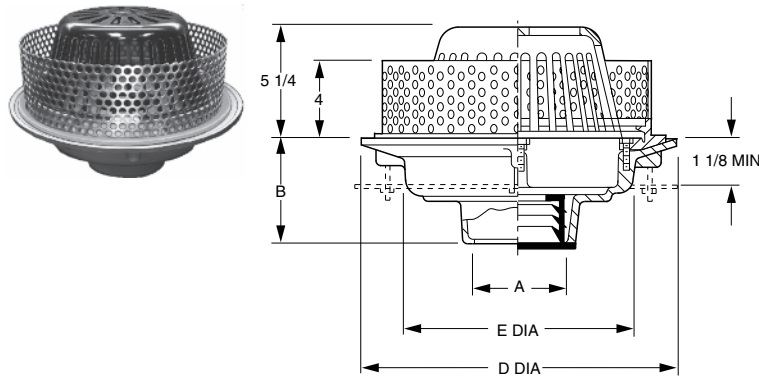
**REGULARLY FURNISHED:** Duco Cast Iron Wide Flange Body with Combined Flashing Clamp and Gravel Stop with Polyethylene Dome.

# ROOF DRAINS

## FIG. 1011 IRMA ROOF APPLICATIONS



**FUNCTION:** Used in roof systems where the insulated membrane assembly method of waterproofing is provided. Fig. 1011 is used where built-up felt and asphalt waterproofing is installed. A 4" high perforated stainless steel gravel stop is supplied to retain the crushed gravel used in IRMA flat roof construction.



A OUTLET SIZE	D FLANGE DIA.	E DIA.	FREE AREA SQ IN	†DUCO CI POLY DOME	DUCO CI W/ ALUM DOME	APPROX. WEIGHT LBS
02, 03, 04"	15 1/4"	11"	102.5	1,494.00	1,738.00	28
05, 06"	15 1/4"	11"	102.5	1,790.00	2,034.00	28

A OUTLET SIZE	D FLANGE DIA.	E DIA.	FREE AREA SQ IN	**†DUCO CI CI DOME	DUCO CI W/ ALUM DOME	APPROX. WEIGHT LBS
08"	20"	16"	228	2,666.00	3,250.00	60
10"	20"	16"	228	2,934.00	3,518.00	60

\*\*Add \$356.00 to Galvanize the Cast Iron Dome.

**REGULARLY FURNISHED:** Duco Cast Iron Body with Flashing Clamp, 1/16" Thick, 4" High Stainless Steel Perforated Gravel Stop with 3/8" Dia. Openings and Dome.

**OUTLET VARIATIONS** (Specify type of outlet and pipe size in inches.)

Outlet Type	Outlet Designation Outlet Type/Pipe Size	"B" Body HT. DIM.	ADD
Inside Caulk	C02, C03, C04, C05, C06	5"	N/C
	C08, C10	7 3/4"	N/C
Speedi-Set SW	L02, L03, L04	5"	N/C
Speedi-Set XH	LXH02, LXH03, LXH04	5"	N/C
Threaded	T02, T03, T04, T05, T06	3 3/4"	77.00
	T08, T10	7 3/4"	77.00
No-Hub	Y02, Y03, Y04, Y05, Y06	5"	N/C
	Y08, Y10	7 3/4"	N/C

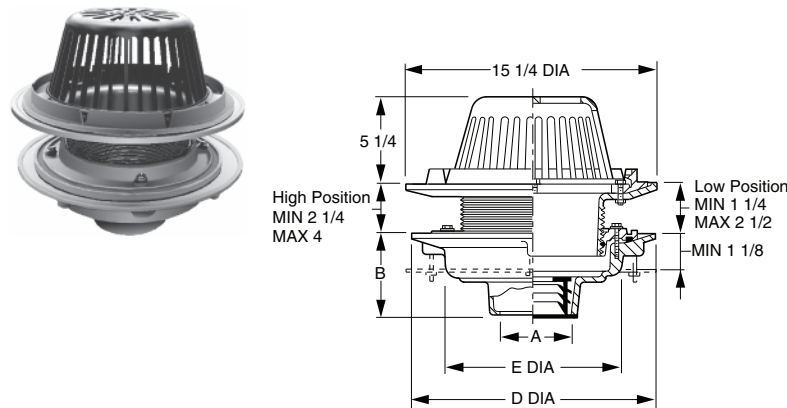
**OPTIONS:**

OPTION	DESCRIPTION	ADD
-AA	Aluminum Body	POA
-C	Aluminum Underdeck Clamp (15 & 16" Flange Bodies)	241.00
-C	Cast Iron Underdeck Clamp (20" Flange Bodies)	479.00
-CID	CI Dome (when not reg. furn.)	210.00
-CIDG	Cast Iron Dome with Galvanizing	568.00
-CID8	8" High CI Dome	458.00
-CL	Angular Underdeck Clamp	487.00
-DE	Deck Elevation Extension (Deck Elevator Kit)	1,030.00
-G	Galvanized CI	956.00
-GG	Perf SS Gravel Stop over 4", per inch	76.00
-PDSSM	SS Mesh on Poly Dome	499.00
-R	Sump Receiver	268.00
-R	Sump Receiver (20" Flange Bodies)	537.00
-RBD	Rough Bronze Dome	827.00
-RDP	Roof Deck Plate (15 & 16" Flange Bodies)	432.00
-RDP	Roof Deck Plate (20" Flange Bodies)	772.00
-SSM	SS Mesh on Metal Dome	499.00
-U	Vandal Proof Dome	123.00

ROOF DRAINS

## FIG. 1015 ROOF DRAIN WITH ADJUSTABLE EXTENSION

**FUNCTION:** Used in flat roofs of any construction. The adjustable extension sleeve permits adjustment from a minimum of 1 1/4" to a maximum of 4", easily accommodating up to 2 3/4" of varying insulation thicknesses. The positive threading allows smooth perimeter movement and circumferential support of the top at any adjusted elevation. Large low profile dome provides sufficient free area for quick drainage of rainwater and protection against debris.



A OUTLET SIZE	D FLANGE DIA.	E DIA.	FREE AREA SQ IN	†DUCO CI POLY DOME	APPROX. WEIGHT LBS
02, 03, 04"	15 1/4"	11"	102.5	1,411.00	54
05, 06"	15 1/4"	11"	102.5	1,715.00	54
08"	16"	12 1/2"	102.5	2,021.00	58

**REGULARLY FURNISHED:** Duco Cast Iron Body with Adjustable Extension Sleeve, Reversible Collar, Combined Flashing Clamp and Gravel Stop, with Polyethylene Dome.

**OUTLET VARIATIONS** (Specify type of outlet and pipe size in inches.)

Outlet Type	Outlet Designation Outlet Type/Pipe Size	"B" Body HT. DIM.	ADD
Inside Caulk	C02, C03, C04, C05, C06	5"	N/C
	C08	6"	N/C
Speedi-Set SW	L02, L03, L04	5"	N/C
Speedi-Set XH	LXH02, LXH03, LXH04	5"	N/C
Threaded	T02, T03, T04, T05, T06	3 3/4"	77.00
	T08	5"	77.00
No-Hub	Y02, Y03, Y04, Y05, Y06	5"	N/C
	Y08	6"	N/C

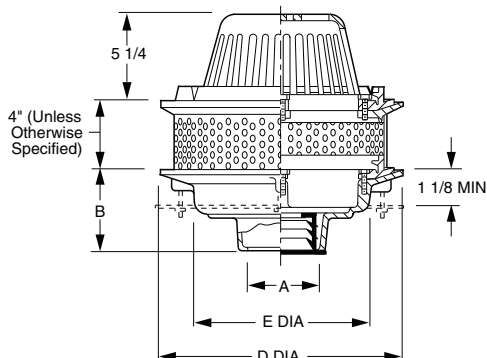
**OPTIONS:**

OPTION	DESCRIPTION	ADD
-AA	Aluminum Body	POA
-AD	Aluminum Dome	244.00
-C	Aluminum Underdeck Clamp	241.00
-C2	Secondary Flashing Clamp	185.00
-CID	CI Dome	210.00
-CIDG	Cast Iron Dome with Galvanizing	568.00
-CID8	8" High CI Dome	458.00
-CL	Angular Underdeck Clamp	487.00
-DE	Deck Elevator Extension (Deck Elevator Kit)	1,030.00
-G	Galvanized CI	1,290.00
-PDSSM	SS Mesh on Poly Dome	499.00
-R	Sump Receiver	268.00
-RBD	Rough Bronze Dome	827.00
-RDP	Roof Deck Plate	432.00
-SSM	SS Mesh on Metal Dome	499.00
-U	Vandal Proof Dome	123.00

# ROOF DRAINS

## FIG. 1017 IRMA ROOF DRAIN APPLICATIONS

**FUNCTION:** Used in roof systems where the insulated membrane assembly method of waterproofing is provided. Used where built-up felt and asphalt waterproofing is installed. A stainless steel extension gravel stop at height specified is supplied to retain the crushed gravel used in IRMA flat roof construction.



A OUTLET SIZE	D FLANGE DIA.	E DIA.	FREE AREA SQ IN	†DUCO CI POLY DOME	APPROX. WEIGHT LBS
02, 03, 04"	15 1/4"	11"	102.5	<b>1,494.00</b>	40
05, 06"	15 1/4"	11"	102.5	<b>1,790.00</b>	42
08"	16"	12 1/2"	102.5	<b>2,097.00</b>	45

**REGULARLY FURNISHED:** Duco Cast Iron Body with Flashing Clamp, Perforated Stainless Steel Extension, Gravel Stop and Polyethylene Dome.

### OUTLET VARIATIONS (Specify type of outlet and pipe size in inches.)

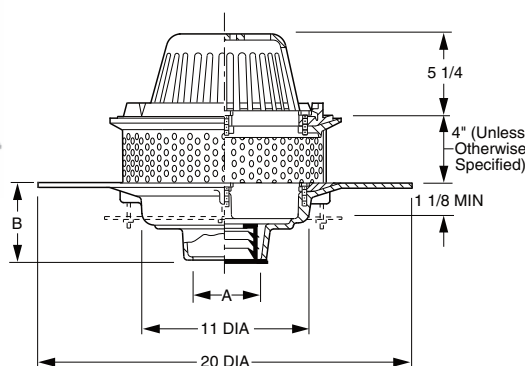
Outlet Type	Outlet Designation Outlet Type/Pipe Size	"B" Body HT. DIM.	ADD
Inside Caulk	C02, C03, C04, C05, C06	5"	N/C
	C08	6"	N/C
Speedi-Set SW	L02, L03, L04	5"	N/C
Speedi-Set XH	LXH02, LXH03, LXH04	5"	N/C
Threaded	T02, T03, T04, T05, T06	3 3/4"	77.00
	T08	5"	77.00
No-Hub	Y02, Y03, Y04, Y05, Y06	5"	N/C
	Y08	6"	N/C

### OPTIONS:

		ADD
-AD	Aluminum Dome	244.00
-C	Aluminum Underdeck Clamp	241.00
-CID	CI Dome	210.00
-CIDG	Cast Iron Dome with Galvanizing	568.00
-CID8	8" High CI Dome	458.00
-CL	Angular Underdeck Clamp	487.00
-DE	Deck Elevator Extension (Deck Elevator Kit)	1,030.00
-G	Galvanized CI	956.00
-GG	Perf SS Extension over 4", per inch	76.00
-R	Sump Receiver	268.00
-RBD	Rough Bronze Dome	827.00
-SSM	SS Mesh on Metal Dome	499.00
-U	Vandal Proof Dome	123.00

## FIG. 1018 IRMA ROOF APPLICATIONS

**FUNCTION:** Used in roof systems where the insulated membrane assembly method of waterproofing is provided. Used where a liquid membrane waterproofing is installed. A stainless steel extension gravel stop at height specified is supplied to retain the crushed gravel used in IRMA flat roof construction.



A OUTLET SIZE	FLANGE DIA.	FREE AREA SQ IN	†DUCO CI POLY DOME	APPROX. WEIGHT LBS
02, 03, 04"	20"	102.5	<b>2,809.00</b>	36
05, 06"	20"	102.5	<b>3,112.00</b>	47

**REGULARLY FURNISHED:** Duco Cast Iron Wide Flange Body with Flashing Clamp, Perforated Stainless Steel Extension, Gravel Stop and Polyethylene Dome.

### OUTLET VARIATIONS (Specify type of outlet and pipe size in inches.)

Outlet Type	Outlet Designation Outlet Type/Pipe Size	"B" Body HT. DIM.	ADD
Inside Caulk	C02, C03, C04, C05, C06	5"	N/C
Speedi-Set SW	L02, L03, L04	5"	N/C
Speedi-Set XH	LXH02, LXH03, LXH04	5"	N/C
Threaded	T02, T03, T04, T05, T06	3 3/4"	77.00
No-Hub	Y02, Y03, Y04, Y05, Y06	5"	N/C

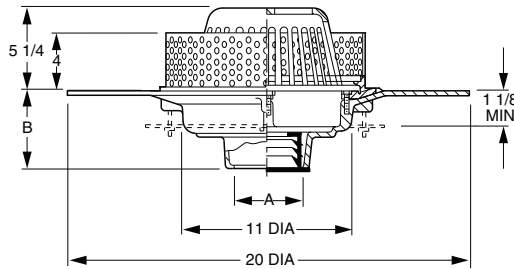
### OPTIONS:

		ADD
-AD	Aluminum Dome	244.00
-C	Aluminum Underdeck Clamp	241.00
-CID	CI Dome	210.00
-CIDG	Cast Iron Dome with Galvanizing	568.00
-CID8	8" High CI Dome	458.00
-CL	Angular Underdeck Clamp	487.00
-G	Galvanized CI	1,247.00
-GG	Perf SS Extension over 4", per inch	76.00
-RBD	Rough Bronze Dome	827.00
-SSM	SS Mesh on Metal Dome	499.00
-U	Vandal Proof Dome	123.00

# ROOF DRAINS

## FIG. 1019 IRMA ROOF APPLICATIONS

**FUNCTION:** Used in roof systems where the insulated membrane assembly method of waterproofing is provided. Fig. 1019 is utilized with a liquid membrane waterproofing. A 4" high perforated stainless steel gravel stop is supplied to retain the crushed gravel used in IRMA flat roof construction.



A OUTLET SIZE	FLANGE DIA.	FREE AREA SQ IN	†DUCO CI POLY DOME	APPROX. WEIGHT LBS
02, 03, 04"	20"	102.5	2,809.00	50
05, 06"	20"	102.5	3,112.00	50

**REGULARLY FURNISHED:** Duco Cast Iron Wide Flange Body with Flashing Clamp, 1/16" Thick, 4" High Stainless Steel Perforated Gravel Stop with 3/8" Dia. Openings and Polyethylene Dome.

**OUTLET VARIATIONS** (Specify type of outlet and pipe size in inches.)

Outlet Type	Outlet Designation Outlet Type/Pipe Size	"B" Body HT. DIM.	ADD
Inside Caulk	C02, C03, C04, C05, C06	5"	N/C
Speedi-Set SW	L02, L03, L04	5"	N/C
Speedi-Set XH	LXH02, LXH03, LXH04	5"	N/C
Threaded	T02, T03, T04, T05, T06	3 3/4"	77.00
No-Hub	Y02, Y03, Y04, Y05, Y06	5"	N/C

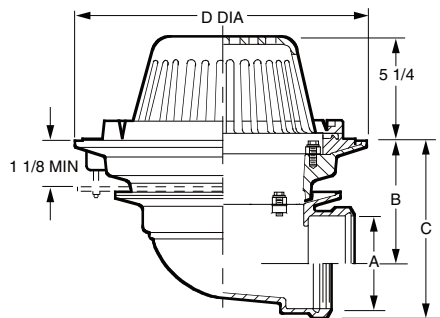
**OPTIONS:**

OPTION	DESCRIPTION	ADD
-AD	Aluminum Dome	244.00
-C	Aluminum Underdeck Clamp	241.00
-CID	CI Dome	210.00
-CIDG	Cast Iron Dome with Galvanizing	568.00
-CID8	8" High CI Dome	458.00
-CL	Angular Underdeck Clamp	487.00
-G	Galvanized CI	1,247.00
-GG	Perforated SS Gravel Stop over 4", per inch	76.00
-RBD	Rough Bronze Dome	827.00
-U	Vandal Proof Dome	123.00

ROOF DRAINS

## FIG. 1020 16" DIAMETER - LOW PROFILE DOME

**FUNCTION:** Used in flat roof of any construction. Large low profile dome provides sufficient free area for quick drainage of rain water and protects the drain sump and connected piping from the intrusion of debris. Wide clamping surface holds flashing and roofing materials without puncturing.



A OUTLET SIZE	B	D FLANGE DIA.	FREE AREA SQ IN	†DUCO CI POLY DOME	APPROX. WEIGHT LBS
02"	6 3/8"	15 1/4"	102.5	1,078.00	45
03"	6 3/8"	15 1/4"	102.5	1,078.00	45
04"	5 7/8"	15 1/4"	102.5	1,078.00	45
05"	5"	16"	102.5	1,377.00	55
06"	4 1/2"	16"	102.5	1,377.00	55

**REGULARLY FURNISHED:** Duco Cast Iron Body with Combined Flashing Clamp and Gravel Stop with Polyethylene Dome.

**OUTLET VARIATIONS** (Specify type of outlet and pipe size in inches.)

Outlet Type	Outlet Designation Outlet Type/Pipe Size	"C" Body HT. DIM.	ADD
Inside Caulk	C02	8 5/8"	N/C
	C03, C04	8 3/4"	N/C
	C05, C06	8 1/2"	N/C
Threaded Outlet	T02	8 5/8"	N/C
	T03, T04	8 3/4"	N/C
	T05, T06	8 1/2"	N/C
No-Hub	Y02	8 5/8"	N/C
	Y03, Y04	8 3/4"	N/C
	Y05, Y06	8 1/2"	N/C

See Fig. 2646Y for list add

**OPTIONS:**

OPTION	DESCRIPTION	ADD
-AD	Aluminum Dome	244.00
-C	Aluminum Underdeck Clamp	241.00
-C2	Secondary Flashing Clamp	185.00
-CID	CI Dome	210.00
-CIDG	Cast Iron Dome with Galvanizing	568.00
-CID8	CI Dome, 8" High	458.00
-CL	Angular Underdeck Clamp	487.00
-E	Extension up to 4" per inch over 4"	660.00 157.00
-G	Galvanized CI	956.00
-R	Sump Receiver	268.00
-RBD	Rough Bronze Dome	827.00
-SSM	SS Mesh on Metal Dome	499.00
-U	Vandal Proof Dome	123.00