

FIXTURE SUPPORTS

FIG. 0700, 0700D LAVATORY SUPPORTS WITH CONCEALED ARMS FLOOR MOUNTED WITH "PRO-SET" UPRIGHTS FOR HIGH BACK LAVATORIES

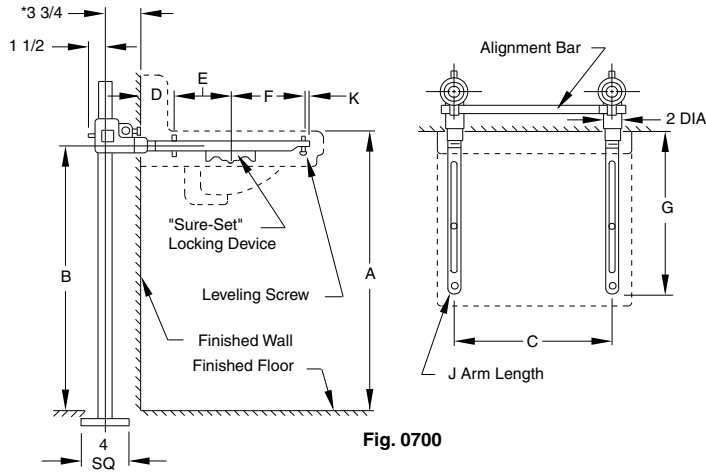


Fig. 0700

FIGURE NO.	DESCRIPTION	PRICE	APPROX. WT. LBS.
0700	Single Support	989.00	29
0700D	Back to Back Support	1,409.00	41

NOTE: *This dimension can be increased when fixture support is to be installed behind the wall. (Specify when required and wall thickness).

For lettered dimensions contact factory.

FIG. 0700-27, 0700-27-M31, 0700D-27-M31 LAVATORY SUPPORTS WITH CONCEALED ARMS FLOOR MOUNTED TYPE FOR FLAT SLAB LAVATORIES

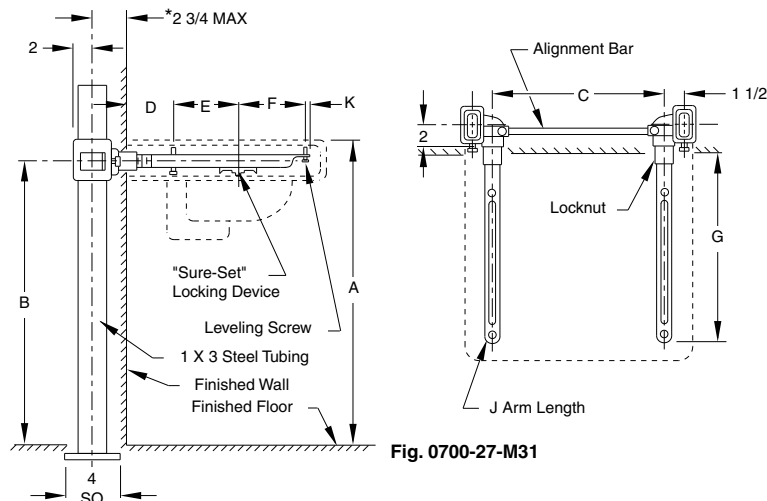


Fig. 0700-27-M31

FIGURE NO.	DESCRIPTION	PRICE	APPROX. WT. LBS.
0700-27	Single Support for Wheelchair Lavatories	1,056.00	34
0700-27-M31	Single Support for Wheelchair Lavatories with Heavy Duty Rectangular Uprights	1,056.00	34
0700D-27-M31	Double Support for Wheelchair Lavatories with Heavy Duty Rectangular Uprights	1,542.00	40

NOTE: *This dimension can be increased when fixture support is to be installed behind the wall. (Specify when required and wall thickness).

For lettered dimensions contact factory.

NOTE: Service weight regularly furnished on fittings above.
NOTE: Always specify fixture manufacturer's model name and number.

FIXTURE SUPPORTS

FIG. 0700E, 0700DE LAVATORY SUPPORTS WITH CONCEALED ARMS FLOOR MOUNTED TYPE FOR FLAT SLAB LAVATORIES



CUSTOMER DRIVEN SINCE 1926

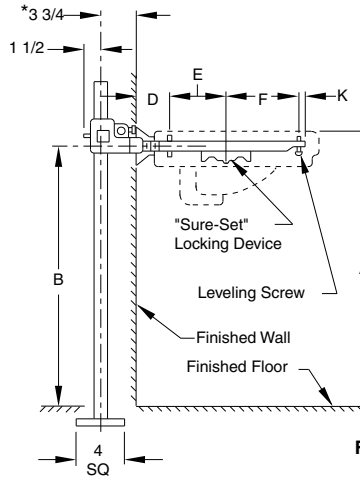


Fig. 0700-E

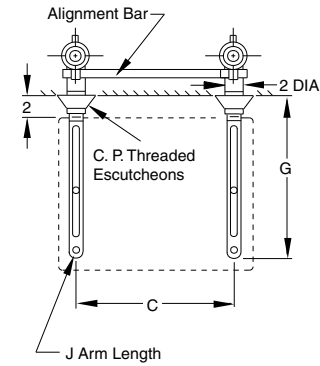


FIGURE NO.	DESCRIPTION	PRICE	APPROX. WT. LBS.
0700E	Single Support w/2" CP Escutcheons	1,154.00	30
0700DE	Back to Back Support w/2" CP Escutcheons	1,738.00	42

NOTE: *This dimension can be increased when fixture support is to be installed behind the wall. (Specify when required and wall thickness).

For lettered dimensions contact factory.

FIG. 0710, 0710D LABOR SAVER® LAVATORY SUPPORTS FLOOR MOUNTED TYPE FOR HIGH BACK LAVATORIES

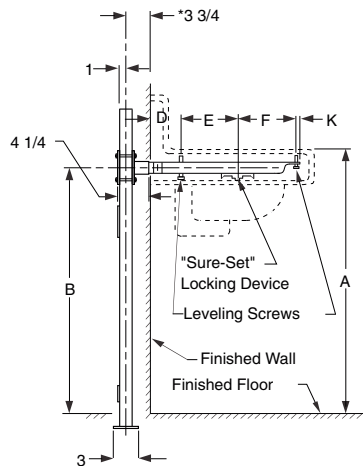


Fig. 0710

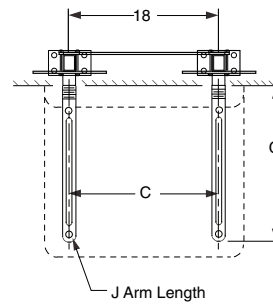


FIGURE NO.	DESCRIPTION	PRICE	APPROX. WT. LBS.
0710	Single Support	1,296.00	29
0710D	Back to Back Support	1,830.00	41

NOTE: *This dimension can be increased when fixture support is to be installed behind the wall. (Specify when required and wall thickness).

For lettered dimensions contact factory.

NOTE: Service weight regularly furnished on fittings above.
NOTE: Always specify fixture manufacturer's model name and number.