

FLOOR DRAINS

FIG. 2699LF, FIG. 2699-1LF AUTOMATIC TRAP PRIMERS - LEAD FREE



FUNCTION: Used where trapped drains are installed in locations used infrequently or other conditions might permit water seal to evaporate, allowing sewer gas or objectionable and contaminating odors to escape through drain. A trap primer is recommended to compensate for evaporation while providing a water seal in the trap at all times.



FOR FIXTURES W/MIN. 2.5 GPM FLOW

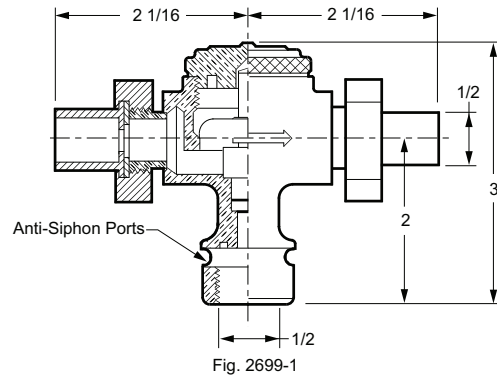
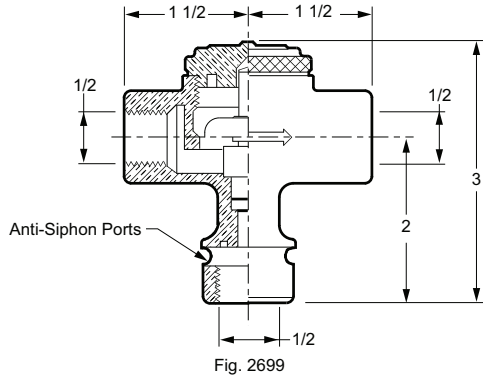


FIG. NO.	CONN. SIZE	†CAST BRONZE	CP BRONZE(-CP)	APPROX. WEIGHT LBS
2699LF	1/2" NPT	507.00		3
2699-1LF	1/2" Sweat	507.00		3
2699CPLF	1/2" NPT		558.00	3
2699-1CPLF	1/2" Sweat		558.00	3

REGULARLY FURNISHED: Lead Free Cast Bronze with 1/2" Connection as indicated by Figure Number Selected.

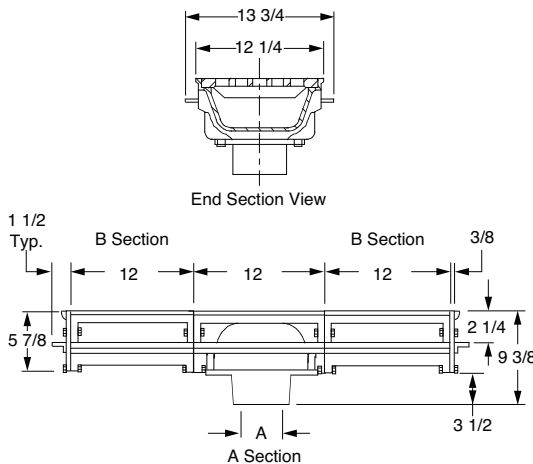
COMPLIES with LEAD PLUMBING LAW
"CERTIFIED by IAPMO R & T"
FILE NO. 8477
(NSF/ANSI 372)



NOTE: MUST BE LOCATED IN AN ACCESSIBLE LOCATION.

FIG. 2710 WIDE HEAVY DUTY MODULAR TRENCH DRAIN

FUNCTION: Used as a ramp drain in loading or parking areas where a wide continuous trench drain is required to handle moderate traffic loads and serve as a reservoir for large water runoff. Can also be used individually as an area drain ("A" Section Only).



OUTLET VARIATIONS (Specify type of outlet and pipe size in inches.)

Outlet Type	Outlet Designation	ADD
Inside Caulk	C03, C04, C05, C06, C08	N/C
No-Hub	Y03, Y04, Y05, Y06, Y08	N/C

OPTIONS:	ADD "A" (Outlet) Per Section	ADD "B" (Add'l) Per Section
-ARIO ARC In and Out	765.00	765.00
-C Flashing Clamp	149.00	149.00
-DBSCI Dome Bottom Strainer, CI	284.00	
-EO End Outlet		377.00
-G Galvanized CI	641.00	641.00
-M Ductile Iron Grate	711.00	711.00
-NBHP Heelproof, add to CI	1,749.00	1,749.00
-PBHP Heelproof, add to CI	1,595.00	1,595.00
-U Vandal Proof Screws	239.00	239.00

NOTE: The above option prices are per section.

A OUTLET SIZE	TOP SIZE	FREE AREA SQ IN (EACH SECTION)	†DUCO CI	DUCO CI PB TOP	DUCO CI NB TOP	APPROX. WEIGHT LBS
03, 04, 05"	12 x 12"	39.3	1,954.00	2,910.00	3,062.00	51
06, 08"	12 x 12"	39.3	1,954.00	2,910.00	3,062.00	51
Ea Add'l 12" Section			1,954.00	2,910.00	3,062.00	43

REGULARLY FURNISHED: Duco Cast Iron Flanged Body Outlet Section "A" and Flanged End Plate with Cast Iron Anti-Shift Loose Set Square Hole Grate.

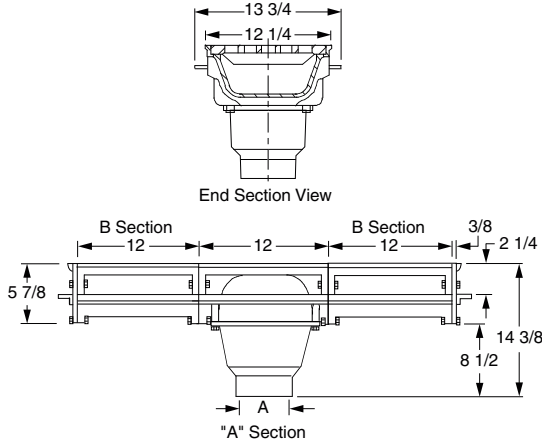
Fig. 2710	"A" Section
Fig. 2711	"A" Section with (1) "B" Section
Fig. 2712	"A" Section with (2) "B" Sections
Fig. 2713	"A" Section with (3) "B" Sections
Fig. 2714	"A" Section with (4) "B" Sections
Fig. 2715	"A" Section with (5) "B" Sections
Fig. 2716	"A" Section with (6) "B" Sections
Fig. 2717	"A" Section with (7) "B" Sections
Fig. 2718	"A" Section with (8) "B" Sections
Fig. 2719	"A" Section with (9) "B" Sections
Fig. 2720	"A" Section with (10) "B" Sections

FLOOR DRAINS

FIG. 2710-DH WIDE HEAVY DUTY MODULAR TRENCH DRAIN



FUNCTION: Used as a ramp drain in loading or parking areas where a wide continuous trench drain is required to handle moderate traffic loads and serve as a reservoir for large water runoff. Can also be used individually as an area drain ("A" Section Only).



A OUTLET SIZE	TOP SIZE	FREE AREA SQ IN (EACH SECTION)	DUCO CI	DUCO CI PB TOP	DUCO CI NB TOP	APPROX. WEIGHT LBS
03, 04, 05"	12 x 12"	39.3	1,954.00	2,910.00	3,062.00	51
06, 08"	12 x 12"	39.3	1,954.00	2,910.00	3,062.00	
Ea Add'l 12" Section			1,954.00	2,910.00	3,062.00	43

REGULARLY FURNISHED: Duco Cast Iron Flanged Body Outlet Section "A" and Flanged End Plate with Cast Iron Anti-Shift Loose Set Square Hole Grate.

OUTLET VARIATIONS (Specify type of outlet and pipe size in inches.)

Outlet Type	Outlet Designation Outlet Type/Pipe Size	ADD
Inside Caulk	C03, C04, C05, C06, C08	N/C
No-Hub	Y03, Y04, Y05, Y06, Y08	N/C

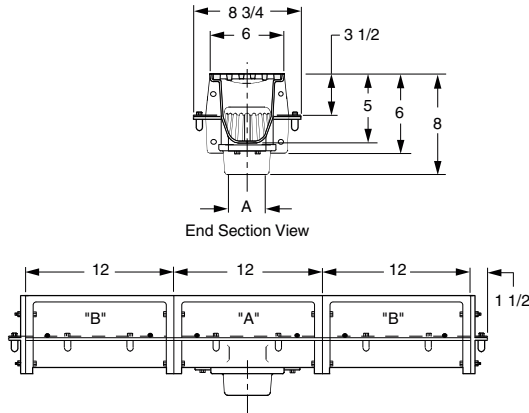
OPTIONS:		ADD "A" (Outlet) Per Section	ADD "B" (Add'l) Per Section
-ARIO	ARC In and Out	765.00	765.00
-B	Sediment Bucket	562.00	
-C	Flashing Clamp	149.00	149.00
-DBSCI	Dome Bottom Strainer, CI	284.00	
-EO	End Outlet		377.00
-G	Galvanized CI	641.00	641.00
-M	Ductile Iron Grate	711.00	711.00
-NBHP	Heelproof, add to CI	1,749.00	1,749.00
-PBHP	Heelproof, add to CI	1,595.00	1,595.00
-U	Vandal Proof Screws	239.00	239.00
-VCI	Backwater Valve, CI	937.00	
-VG	Backwater Valve, Galv. CI	1,238.00	

NOTE: The above option prices are per section.

- Fig. 2710 "A" Section
- Fig. 2711 "A" Section with (1) "B" Section
- Fig. 2712 "A" Section with (2) "B" Sections
- Fig. 2713 "A" Section with (3) "B" Sections
- Fig. 2714 "A" Section with (4) "B" Sections
- Fig. 2715 "A" Section with (5) "B" Sections
- Fig. 2716 "A" Section with (6) "B" Sections
- Fig. 2717 "A" Section with (7) "B" Sections
- Fig. 2718 "A" Section with (8) "B" Sections
- Fig. 2719 "A" Section with (9) "B" Sections
- Fig. 2720 "A" Section with (10) "B" Sections

FIG. 2810 NARROW HEAVY DUTY MODULAR TRENCH DRAIN

FUNCTION: Used in ramps, loading areas and as a continuous perimeter drain.



A OUTLET SIZE	TOP SIZE	FREE AREA SQ IN (EACH SECTION)	DUCO CI	DUCO CI PB TOP	DUCO CI NB TOP	APPROX. WEIGHT LBS
02, 03, 04"	6 x 12"	16	1,034.00	2,204.00	2,331.00	51
Ea Add'l 12" Section			1,034.00	2,204.00	2,331.00	43

REGULARLY FURNISHED: Duco Cast Iron Flanged Body Outlet Section "A" and Flanged End Plates with Cast Iron Anti-Shift Loose Set Square Hole Grate, Dome Bottom Strainer.

OUTLET VARIATIONS (Specify type of outlet and pipe size in inches.)

Outlet Type	Outlet Designation Outlet Type/Pipe Size	ADD
Inside Caulk	C02, C03, C04	N/C
Threaded	T02, T03, T04	77.00
No-Hub	Y02, Y03, Y04	N/C

OPTIONS:		ADD "A" (Outlet) Per Section	ADD "B" (Add'l) Per Section
-ARIO	ARC In and Out	765.00	765.00
-B	Bucket	289.00	
-EO	End Outlet		377.00
-F	Anchor Flange	N/C	N/C
-FC	Flange and Flashing Clamp	157.00	157.00
-G	Galvanized CI	320.00	320.00
-M	Ductile Iron Grate	322.00	322.00
-SG	Slotted CI Grate	N/C	N/C
-U	Vandal Proof Screws	344.00	344.00

NOTE: The above option prices are per section.

- Fig. 2810 "A" Section
- Fig. 2811 "A" Section with (1) "B" Section
- Fig. 2812 "A" Section with (2) "B" Sections
- Fig. 2813 "A" Section with (3) "B" Sections
- Fig. 2814 "A" Section with (4) "B" Sections
- Fig. 2815 "A" Section with (5) "B" Sections
- Fig. 2816 "A" Section with (6) "B" Sections
- Fig. 2817 "A" Section with (7) "B" Sections
- Fig. 2818 "A" Section with (8) "B" Sections
- Fig. 2819 "A" Section with (9) "B" Sections
- Fig. 2820 "A" Section with (10) "B" Sections