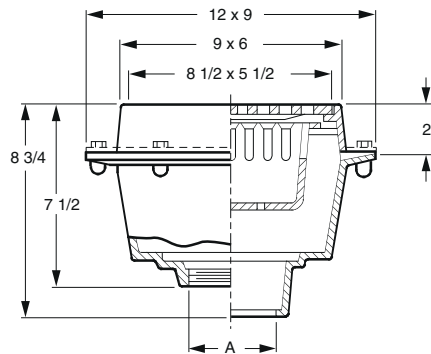


FLOOR DRAINS

FIG. 2589 FLOOR DRAIN WITH HINGED GRATE AND SEDIMENT BUCKET

FUNCTION: Used in gutters and trenches where a sediment bucket is required. Hinged medium duty grate permits easy access to bucket for removal and cleaning.



OUTLET VARIATIONS (Specify type of outlet and pipe size in inches.)

Outlet Type	Outlet Designation Outlet Type/Pipe Size	ADD
Inside Caulk	C02, C03, C04	N/C
Threaded	T02, T03, T04	77.00
No-Hub	Y02, Y03, Y04	See Fig. 2646Y for list add

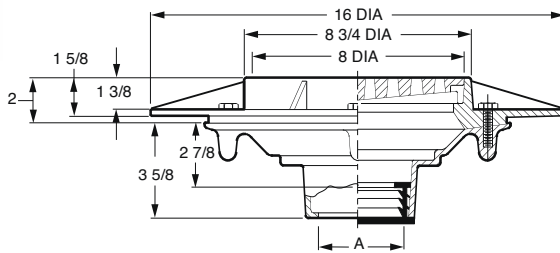
OPTIONS:	ADD
-C Flashing Clamp	N/C
-G Galvanized CI	429.00
-M Ductile Iron Grate	429.00
-U Vandal Proof Screws	146.00

A OUTLET SIZE	TOP SIZE	FREE AREA SQ IN	†DUCO CI	DUCO CI PB TOP	DUCO CI NB TOP	APPROX. WEIGHT LBS
02, 03, 04"	9 x 6"	23	871.00	1,209.00	1,504.00	30

REGULARLY FURNISHED: Duco Cast Iron Body with Hinged Grate and Sediment Bucket.

FIG. 2614 FLOOR DRAIN WITH HEAVY DUTY WIDE FLANGE FLASHING COLLAR

FUNCTION: Used in parking decks with precast construction where core drilling or boxing out for drain is desired for cost effective installation. The wide reinforced flange provides maximum support of drain.



OUTLET VARIATIONS (Specify type of outlet and pipe size in inches.)

Outlet Type	Outlet Designation Outlet Type/Pipe Size	ADD
Inside Caulk	C02, C03, C04	N/C
Speedi-Set SW	L02, L03, L04	N/C
Speedi-Set XH	LXH02, LXH03, LXH04	N/C
Threaded	T02, T03, T04	77.00
No-Hub	Y02, Y03, Y04	N/C
Side Outlet		See Fig. 2648S

OPTIONS:	ADD
-DBS Dome Bottom Str Alum	117.00
-FBSCI Flat Bottom Strainer, CI	59.00
-G Galvanized CI	743.00
-M Ductile Iron Grate	213.00
-S Square Top (Add for CI only. For NB or PB, see below)	322.00
-SNB Square Top, add to CI	937.00
-SPB Square Top, add to CI	776.00
-U Vandal Proof Screws	146.00

A OUTLET SIZE	TOP SIZE	FREE AREA SQ IN	†DUCO CI	DUCO CI PB TOP	DUCO CI NB TOP	APPROX. WEIGHT LBS
02, 03, 04"	8 3/4"	14.25	1,214.00	1,651.00	1,753.00	34

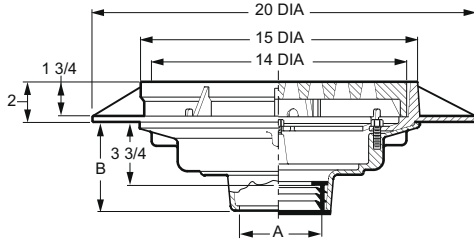
REGULARLY FURNISHED: Duco Cast Iron Body, Heavy Duty Wide Flange Flashing Collar with Heavy Duty Tractor Grate.

FLOOR DRAINS

FIG. 2624 FLOOR DRAIN WITH HEAVY DUTY WIDE FLANGE FLASHING COLLAR



FUNCTION: Used in parking decks with precast construction where core drilling or boxing out for drain is desired for cost effective installation. The wide reinforced flange provides maximum support of drain.



A OUTLET SIZE	TOP SIZE	FREE AREA SQ IN	†DUCO CI	DUCO CI PB TOP	DUCO CI NB TOP	APPROX. WEIGHT LBS
02, 03, 04"	15"	45	2,525.00	3,607.00	3,837.00	44
05, 06"	15"	45	2,525.00	3,607.00	3,837.00	44
08, 10"	16"	45	2,830.00	3,912.00	4,142.00	48

REGULARLY FURNISHED: Duco Cast Iron Body, Heavy Duty Wide Flange Flashing Collar with Heavy Duty ADA Tractor Grate.

OUTLET VARIATIONS (Specify type of outlet and pipe size in inches.)

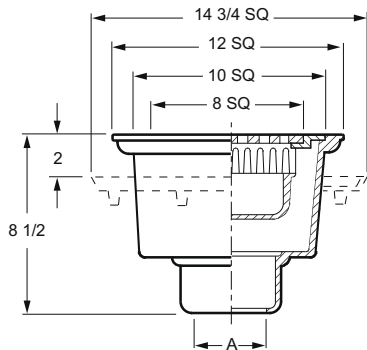
Outlet Type	Outlet Designation Outlet Type/Pipe Size	"B" Body HT. DIM.	ADD
Inside Caulk	C02, C03, C04, C05, C06	5"	N/C
	C08, C10	6"	N/C
Speedi-Set SW	L02, L03, L04	5"	N/C
Speedi-Set XH	LXH02, LXH03, LXH04	5"	N/C
Threaded	T02, T03, T04, T05, T06	3 3/4"	77.00
	T08, T10	5"	77.00
No-Hub	Y02, Y03, Y04, Y05, Y06	5"	N/C
	Y08, Y10	6"	N/C
Side Outlet			See Fig. 2648S

OPTIONS:

OPTION	ADD
-B Bucket	323.00
-C Underdeck Clamp	241.00
-DBSCI Dome Bottom Strainer, CI	96.00
-FBSCI Flat Bottom Strainer, CI	59.00
-G Galvanized CI	1,095.00
-M Ductile Iron Grate	658.00
-R Sump Receiver	268.00
-S Square Top (Add for CI only. For NB or PB, see below)	471.00
-SNB Square Top, add to CI	1,968.00
-SPB Square Top, add to CI	1,703.00
-U Vandal Proof Screws	146.00

FIG. 2630 LIGHT DUTY HOPPER DRAIN WITH SEDIMENT BUCKET AND GRATE

FUNCTION: Hopper type drain for use in areas not subject to traffic.



A OUTLET SIZE	TOP SIZE	FREE AREA SQ IN	†DUCO CI	DUCO CI PB TOP	DUCO CI NB TOP	APPROX. WEIGHT LBS
02, 03, 04"	12" SQ	23	1,229.00	2,197.00	2,382.00	30

REGULARLY FURNISHED: Duco Cast Iron Body with Sediment Bucket and Grate.

OUTLET VARIATIONS (Specify type of outlet and pipe size in inches.)

Outlet Type	Outlet Designation Outlet Type/Pipe Size	ADD
Inside Caulk	C02, C03, C04	N/C
No-Hub	Y02, Y03, Y04	See Fig. 2646Y for list add
Threaded	T02, T03, T04	77.00

OPTIONS:

OPTION	ADD
-BT Bell Trap Assembly	177.00
-F Flange, Cast Iron	367.00
-FC Flange w/Flashing Clamp	580.00
-G Galvanized CI	726.00
-M Ductile Iron Grate	342.00
-MBG Ductile Iron Bucket & Grate	530.00
-P Trap Primer Connection	191.00
-U Vandal Proof Screws	146.00
-12 Half Grate	121.00
-13 Three Quarter Grate	121.00