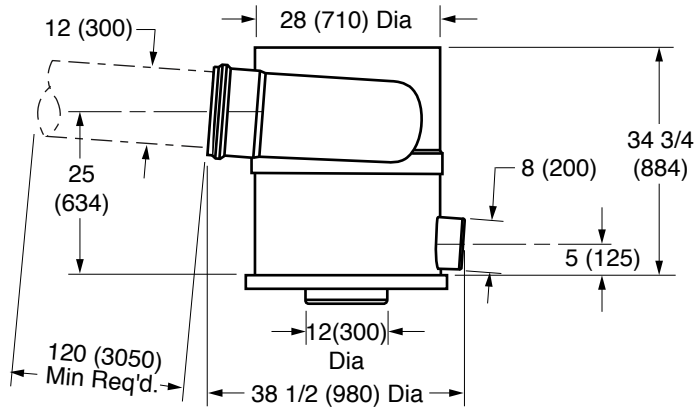
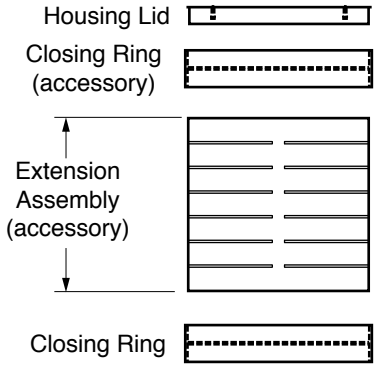


VORTEX RAINWATER FILTER

FOR A ROOF AREA UP TO 32,000 SQUARE FEET

12" OUTLET VORTEX RAINWATER FINE FILTER FOR ABOVE OR BELOW GRADE APPLICATION

FUNCTION: Used in installations where multiple downspouts are connected together to a single pipe into the vortex filter. The vortex rainwater filter can filter up to a 32,000 square foot roof area for site irrigation, toilet and urinal flushing, janitorial use, laundries, fire protection, evaporative cooling tower make-up, process water or other non-potable uses. The vortex fine filter is installed in the underground piping system to remove debris to the storm water system and divert 90% of the clean rainwater to an underground storage tank. (An above grade application is possible).



RECOMMENDED PIPE CONNECTIONS:

- Rainwater Inlet: 12" (305) SDR 35
- Filtered Rainwater Outlet: 8" (205) No-Hub
- Stormwater Outlet: 12" (305) SDR 35

- Fig. RH9521-12..... Steel Lid carries Traffic Loads up to 12 Tons (DIN 1072/SLW12)
- Fig. RH9521-12XH..... Steel Lid carries Traffic Loads up to 60 Tons (DIN 1072/SLW60)
- Fig. RH9521-12AC..... Aluminum Lid for light Traffic Areas (WISY WF3011)

REGULARLY FURNISHED:

Polypropylene Filter Housing, Closing Ring, Baseplate, Housing Lid (RH9521-06), 380 micron Stainless Steel Fine Mesh Filter (RH9521F), 20" Stainless Steel Lift Handle (RH9521LH20), Closing Ring and Safety Kit (RH9521SK). 28" SQ 11GA. Stainless Steel Support Base Plate.

ACCESSORIES:

- 20 inch Stainless Steel Extension Handle (RH9521EX20)
- 36 inch Stainless Steel Extension Handle (RH9521EX36) To extend the lift handle for removal of the mesh filter for cleaning.
- 24" Extension Assy. (RH9521ET)
- 48" Extension Assy. (RH9521ET-48)

- 1. NOTE:** Vortex Filter must be mounted plumb for proper operation. For a roof area above 32,000 square feet, additional Vortex Filters should be added.
- 2. NOTE:** When connecting smaller inlet pipes to the Rainwater inlet an eccentric pipe connector must be used to ensure the piping inverts are level.
- 3. NOTE:** 36" min clearance above housing lid required for filter removal.
- 4. NOTE:** Dimensions shown in parentheses are in millimeters.

DRAWING NUMBER: SRH9521-12
 SIZE: A
 SCALE: NONE
 DATE: 05/31/07
 APPROVED BY: TWK
 CHECKED BY: TWK
 DRAWN BY: JJ
RH9521-12
 DIMENSIONS ARE SUBJECT TO MANUFACTURERS TOLERANCE AND CHANGE WITHOUT NOTICE

REV.	DATE	DESCRIPTION	BY	CKD. BY	WEIGHT POUNDS	VOLUME CUBIC FEET	FIGURE NUMBER
							RH9521-12

DRAWING NUMBER SRH9521-12BS	SIZE A	SCALE: NONE	DATE: 10/19/07	APPROVED BY: TWK	CHECKED BY: TWK	DRAWN BY: JJ	RH9521-12BS	DIMENSIONS ARE SUBJECT TO MANUFACTURERS TOLERANCE AND CHANGE WITHOUT NOTICE	WE CAN ASSUME NO RESPONSIBILITY FOR USE OF SUPERSEDED OR VOID DATA	<h1 style="margin: 0;">VORTEX RAINWATER FILTER</h1> <h2 style="margin: 0;">FOR A ROOF AREA UP TO 32,000 SQUARE FEET</h2>
---------------------------------------	------------------	-----------------------	--------------------------	----------------------------	---------------------------	------------------------	--------------------	---	--	--

12" OUTLET VORTEX RAINWATER FINE FILTER FOR ABOVE OR BELOW GRADE APPLICATION

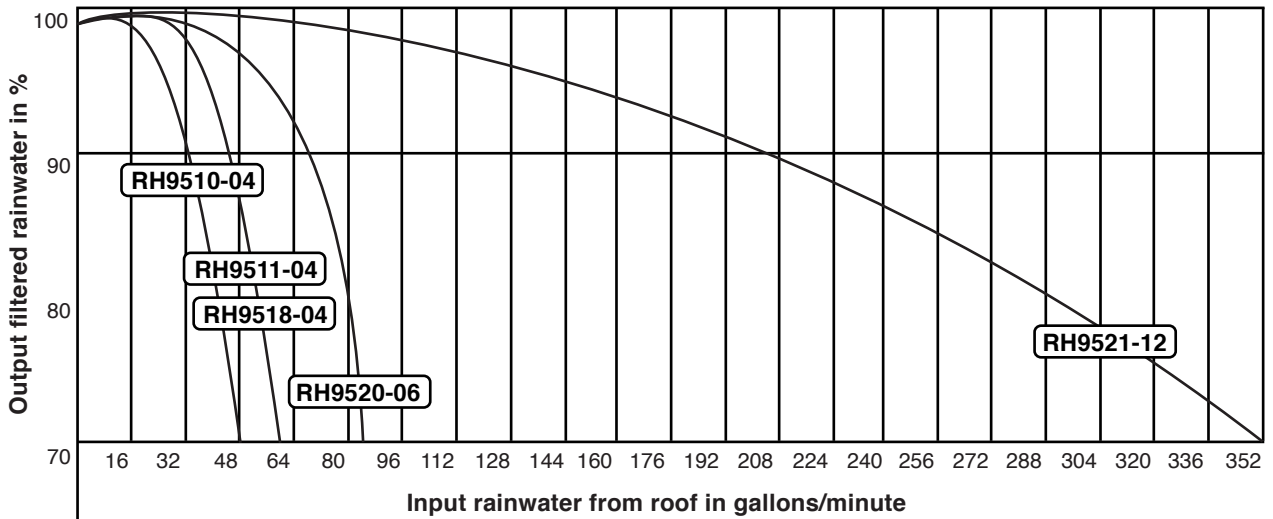
Principles of the WISY Fine Filter – RH9521-12 (WISY WF3011)

The Fine Filter filters and collects rainwater over the entire rain event. When dry, the filter acts as a first flush device during the first 20 seconds of rainfall. It also helps aerate the rainwater.

The filter has a self-cleaning effect. Depending on the amount of rainfall and debris filtered, the stainless steel fine mesh filter should be cleaned approximately twice a year. The circulating air within the main housing of the Fine Filter dries the stainless steel fine mesh filter thus lowering the demand for more frequent maintenance.

To safeguard against backflow, a backflow device should be installed.

Efficiency Ratio and Performance Chart



Select the appropriate filter based on your filtration needs and design flow rate.

- Our filters efficiently recover the rainwater for various flow rates, i.e. for 90% filtered water you can select*:
- RH9510-04 for up to 32 gallons/minute flow rate
 - RH9511-04 for up to 42 gallons/minute flow rate
 - RH9518-04 for up to 42 gallons/minute flow rate
 - RH9520-06 for up to 65 gallons/minute flow rate
 - RH9521-12 for up to 208 gallons/minute flow rate
- *Efficiency ratio tested with brand new filters



A product of WISY AG in cooperation with RMS.

FIGURE NUMBER	B	2-8-10 02/24/09	Revised Text Revised Table	RN JJ	TK TK	WEIGHT POUNDS	VOLUME CUBIC FEET	FIGURE NUMBER RH9521-12BS
	REV.	DATE	DESCRIPTION	BY	CKD. BY			