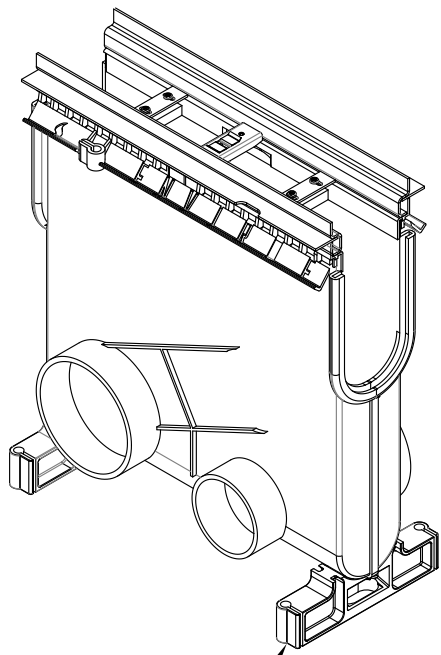


9936 SERIES ENVIRO-FLO® II INLINE CATCH BASIN

FIGURE NUMBER	9936	DRAWN BY:	JJ	CHECKED BY:	PACE	APPROVED BY:	PACE	DATE:	10/01/99	SCALE:	NONE	SIZE	A	DRAWING NUMBER	S9936
----------------------	-------------	------------------	-----------	--------------------	-------------	---------------------	-------------	--------------	-----------------	---------------	-------------	-------------	----------	-----------------------	--------------

DIMENSIONS ARE SUBJECT TO MANUFACTURERS TOLERANCE AND CHANGE WITHOUT NOTICE

WE CAN ASSUME NO RESPONSIBILITY FOR USE OF SUPERSEDED OR VOID DATA



Rebar Installation Bracket (2 Per Basin)

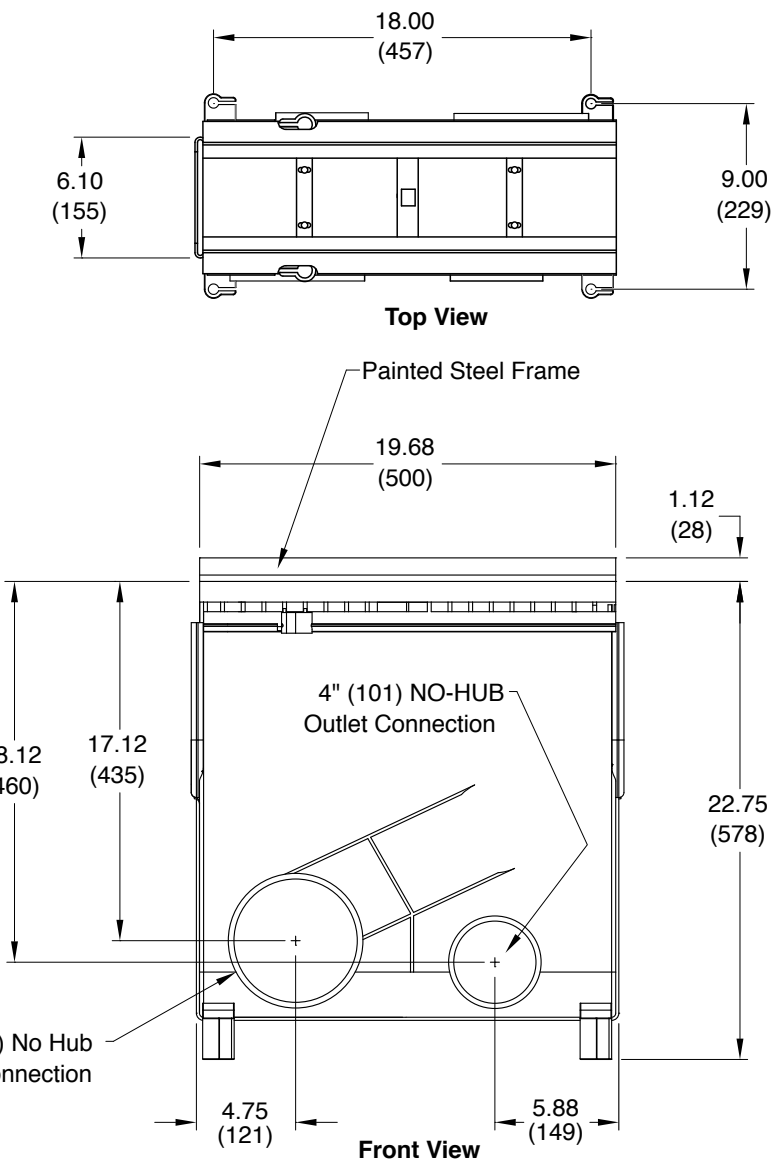
NOTE: The catch basin is shipped from the factory with a stiffener insert inside the catch basin. Please leave the stiffener insert in the catch basin and do not remove until the concrete pour has cured/hardened around the catch basin.

REGULARLY FURNISHED:
100% Polypropylene with U.V. Inhibitors. Molded Catch Basin with 4" and 6" Preformed NO-HUB Outlet Connections. Supplied with Painted Steel Frame Support System and Secured Gate.

NOTE:
Catch basin requires a minimum of 4" of concrete or slab thickness, whichever is greater, around and under complete unit

NOTE: Dimensions shown in Parentheses are in Millimeters.

See back Sheet for Grate Specifications



Top View

Front View

VARIATIONS:

- Plastic Sediment Bucket -BP*
- End Cap -ES
- End Frame -EF
- Channel Shim 9930-ES**

***NOTE:** If bucket is required in basin, crossbars and locking bar must be cut out from basin and frame after trench is installed. Grate will be loose set.

****NOTE:** Shim is required if a channel shallower than a #20 that is 9 1/8" (223) deep is used with the basin. Cut shim to fit opening in the basin under the channel.

M	8-31-21	Edited Note	KK	PJ	WEIGHT	VOLUME	FIGURE NUMBER
L	8-30-21	Added Note	KK	PJ	POUNDS	CUBIC FEET	9936
K	10-19-16	Revised Drawing and Notes	TBW	MD			
J	4-22-13	Revised Drawing	TBW	MD			
REV.	DATE	DESCRIPTION	BY	CKD. BY			

9936 CATCH BASIN GRATE SPECIFICATION BY LOAD CLASS

9936BS	DRAWN BY: JJ	CHECKED BY: Pace	APPROVED BY: Pace	DATE: 10/05/99	SCALE: NONE	SIZE A	DRAWING NUMBER S9936BS
---------------	------------------------	----------------------------	-----------------------------	--------------------------	-----------------------	------------------	----------------------------------

DIMENSIONS ARE SUBJECT TO MANUFACTURERS TOLERANCE AND CHANGE WITHOUT NOTICE

WE CAN ASSUME NO RESPONSIBILITY FOR USE OF SUPERSEDED OR VOID DATA

**Extra Heavy Duty DIN 19580 Load Class E:
135,000 lbs - 2,788 psi. For commercial solid
tire traffic patterns, forklifts and impacts from
steel struts or metal wheels.**

- 9870-461-M** - 3 15/16 x 3/8 ductile iron slotted grate (34.10 sq. in. open area)
- 9870-478-MADA** - Longitudinal slot ductile iron ADA Compliant grate (22.50 sq. in. open area)

F	10-20-16	Removed Note, CI Grate, MS Cover	TBW	MD	WEIGHT POUNDS	VOLUME CUBIC FEET	FIGURE NUMBER
E	8-14-13	Revised Grates	TBW	MD			9936BS
D	4-22-13	Revised Grates	TBW	MD			
C	8-20-04	Deleted-ML Grate	RN	PJ			
REV.	DATE	DESCRIPTION	BY	CKD.			