



LOCATION

# 10" WIDE 9898 SLABDRAIN® DRAIN SYSTEM w/INTEGRAL METAL RAIL

DRAWING NUMBER  
**S9898**

SIZE  
**A**

SCALE:  
**NONE**

DATE:  
**2-25-14**

APPROVED BY:  
**MRD**

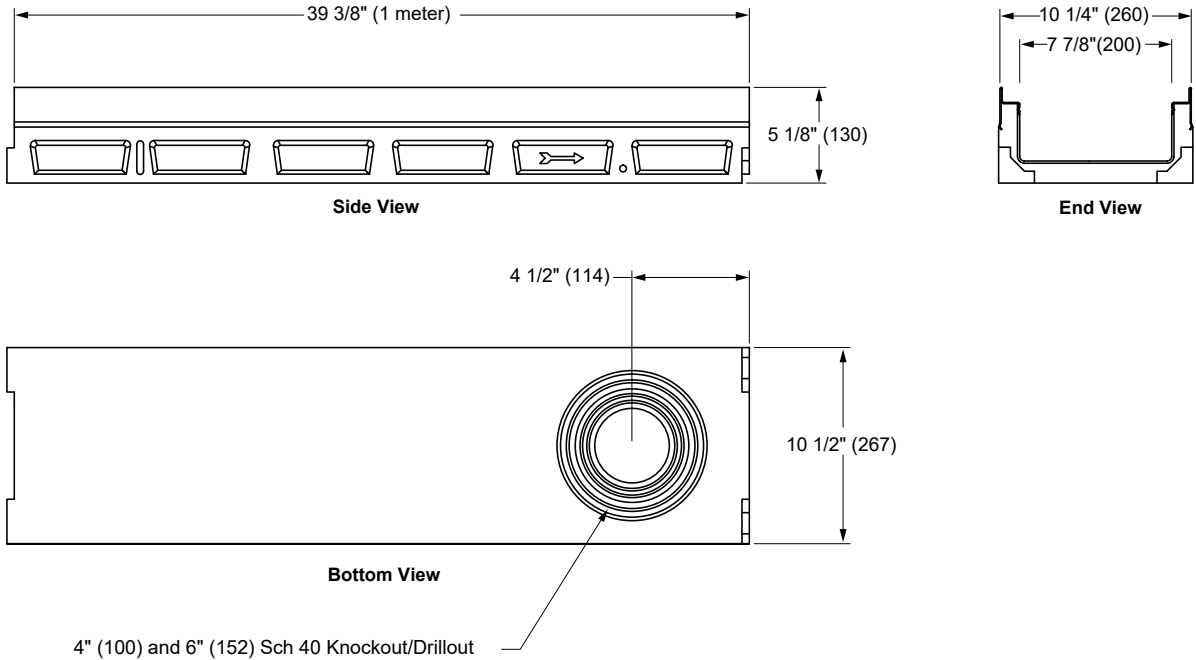
CHECKED BY:  
**MRD**

DRAWN BY:  
**TBW**

**9898**

WE CAN ASSUME NO RESPONSIBILITY FOR USE OF SUPERSEDED OR VOID DATA

DIMENSIONS ARE SUBJECT TO MANUFACTURERS TOLERANCE AND CHANGE WITHOUT NOTICE



**REGULARLY FURNISHED:**

1 meter (3.28') Precast Polyester Concrete Channel of Interlocking Design with No Slope. Channel Has an Integral Galvanized Steel Metal Rail, And 8" Internal Width. Supplied with Secured Gate As Per Specification.

**VARIATIONS:**

- Grate Specifications (See Back)
- Closing End Cap
- 9854 Plastic Dome Bottom Strainer
- Grate Removal Tool

**OPTIONAL RAIL MATERIALS:**

- Stainless Steel

**Note:** This Trench Drain System is Designed for "On Grade Applications Only" as There are No Provisions for a Flashing Flange or Flashing Clamp



FIGURE NUMBER	B A	9-1-23 3-29-16	Removed Function Revised Dimension	HS TBW	CL PJ	WEIGHT POUNDS	VOLUME CUBIC FEET	FIGURE NUMBER <b>9898</b>
REV.	DATE	DESCRIPTION		BY	CKD. BY			



**JAY R. SMITH MFG. CO.**  
 MEMBER OF MORRIS GROUP INTERNATIONAL  
 POST OFFICE BOX 3237  
 MONTGOMERY, ALABAMA 36109-0237 (USA)  
 TEL: 334-277-8520 FAX: 888-377-7818 www.jrsmith.com



MEMBER OF:



LOCATION

# 10" WIDE 9898 SLABDRAIN® DRAIN SYSTEM w/INTEGRAL METAL RAIL

**Light Duty, DIN 19580/EN 1433 Load Class A:**  
**3,500 lbs - 70 psi. For pedestrian, wheelchair, and bicycle traffic.**

- \*  **9880-647-SSADA** - 13/16 x 3/16 longitudinal stainless steel slot bar grate (171 sq. in.)

**Heavy Duty DIN 19580/EN 1433 Load Class C:**  
**56,000 lbs - 1,162 psi. For commercial pneumatic tire traffic patterns, pneumatic tire forklifts and pneumatic tire tractor trailers.**

- \*  **9880-605-GM** - 13/16 x 1/2 longitudinal galv. steel slot bar grate (256.00 sq. in.)
- \*  **9880-611-GPHD** - 1/4 dia perforated galv. steel grate (44.60 sq. in.)
- \*  **9880-630-SSM** - 13/16 x 1/2 longitudinal stainless steel slot bar grate (256.00 sq. in.)
- \*  **9880-665-SSP** - 1/4 dia perforated stainless steel grate (44.60 sq. in.)
- \*  **9880-678-MADA** - 1 3/4 x 5/16 longitudinal ductile iron slotted grate (60.60 sq in.)
- \*  **9880-679-MD** - Mosaic pattern ductile iron grate (38.30 sq. in.)
- \*  **9880-680-IW** - Iron Wave pattern ductile iron grate (58.72 sq. in.)
- \*  **9880-681-ID** - Iron Decorative pattern ductile iron grate (29.10 sq. in.)

**Extra Heavy Duty, DIN 19580/EN 1433 Load Class E: 135,000 lbs - 2,788 psi. For commercial solid tire traffic patterns, forklifts and impacts from steel struts or metal wheels.**

- \*  **9880-661-M** - 3 15/16 x 3/8 ductile iron slotted grate (81.89 sq. in.)

### DEEP END DEPTHS 9898 SYSTEM

Channel Number	Deep End Invert Inch	mm	Slope	Weight Lbs.
9898	4.00	100	0.0%	57.4

**Note:** For overall depth of channel add 1.20" to invert depth shown.

DRAWING NUMBER  
**S9898-BS**

SIZE  
**A**

SCALE:  
**NONE**

DATE:  
**2-25-14**

APPROVED BY:  
**MRD**

CHECKED BY:  
**MRD**

DRAWN BY:  
**TBW**

**9898BS**

WE CAN ASSUME NO RESPONSIBILITY FOR USE OF SUPERSEDED OR VOID DATA  
DIMENSIONS ARE SUBJECT TO MANUFACTURERS TOLERANCE AND CHANGE WITHOUT NOTICE



<b>B</b>	<b>4-9-19</b>	<b>Revised Load Class C</b>	<b>MW</b>	<b>PJ</b>	WEIGHT POUNDS	VOLUME CUBIC FEET	FIGURE NUMBER <b>9898BS</b>
<b>A</b>	<b>2-3-15</b>	<b>9870 changed to 9880</b>	<b>TBW</b>	<b>MD</b>			
REV.	DATE	DESCRIPTION	BY	CKD. BY			



**WARNING:** Cancer and Reproductive Harm - www.P65Warnings.ca.gov