

SMITH® JAY R. SMITH MFG. CO.®
 MEMBER OF MORRIS GROUP INTERNATIONAL
 POST OFFICE BOX 3237
 MONTGOMERY, ALABAMA 36109-0237 (USA)
 TEL: 334-277-8520 FAX: 888-377-7818 www.jrsmith.com



LOCATION

6" WIDE KLASSIKDRAIN® INLINE CATCH BASIN w/INTEGRAL METAL RAIL

DRAWING NUMBER
9895-901G-CB

SIZE
A

SCALE:
NONE

DATE:
5-27-15

APPROVED BY:
MD

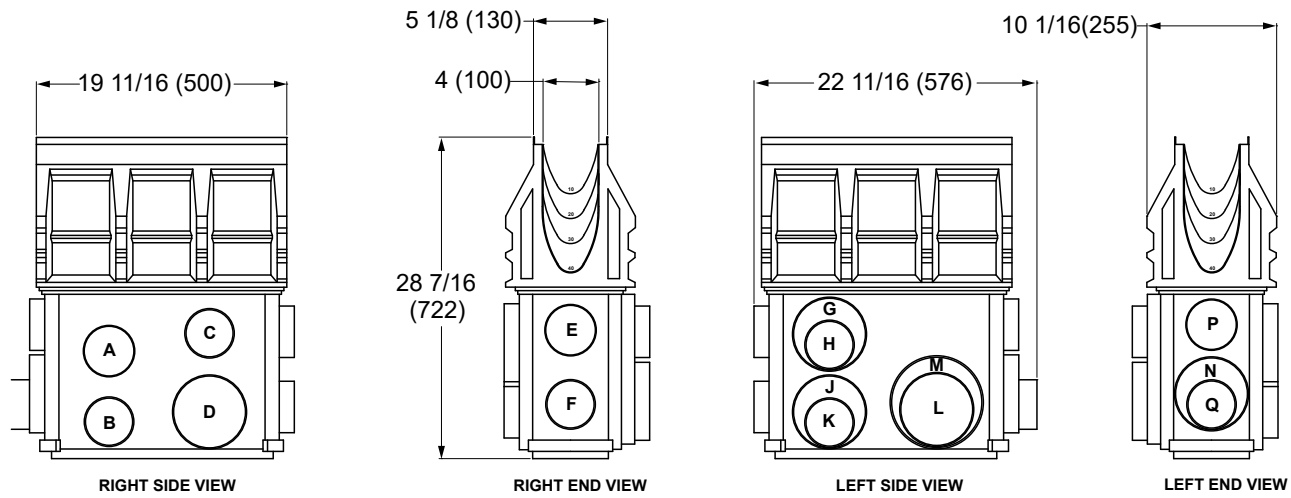
CHECKED BY:
MD

DRAWN BY:
TBW

9895-901G-CB

WE CAN ASSUME NO RESPONSIBILITY FOR USE OF SUPERSEDED OR VOID DATA

DIMENSIONS ARE SUBJECT TO MANUFACTURERS TOLERANCE AND CHANGE WITHOUT NOTICE



REGULARLY FURNISHED:

1/2 meter (1.64') Precast Polyester Concrete Catch Basin with an Integral Galvanized Steel Edge Rail. Total Capacity of 10.50 Gallons. Supplied with Secured Grate as per Specification.

VARIATIONS:

- Grate Specifications (See Back)
- UNV Closing/Inlet/Outlet Cap
- Foul Air Trap (4" only)
- Grate Removal Tool

OPTIONAL MATERIAL:

- Stainless Steel Edge Rail

Note: This Trench Drain System is Designed for "On Grade Applications Only" as There are No Provisions for a Flashing Flange or Flashing Clamp

Note: This Catch Basin Comes Standard with Polymer Concrete Top, Plastic Bucket, and Plastic Base. Select Suitable Grate.



Note: See Back For Outlet Sizes And Flow Capacities

FIGURE NUMBER	A	9-1-23	Removed Function	HS	CL	WEIGHT POUNDS	VOLUME CUBIC FEET	FIGURE NUMBER
REV.	DATE	DESCRIPTION	BY	CKD. BY				9895-901G-CB



JAY R. SMITH MFG. CO.®
 MEMBER OF MORRIS GROUP INTERNATIONAL
 POST OFFICE BOX 3237
 MONTGOMERY, ALABAMA 36109-0237 (USA)
 TEL: 334-277-8520 FAX: 888-377-7818 www.jrsmith.com



MEMBER OF:

LOCATION

6" WIDE KLASSIKDRAIN® INLINE CATCH BASIN w/INTEGRAL METAL RAIL

DRAWING NUMBER
9895-901G-CB-BS

SIZE
A

SCALE:
NONE

DATE:
5-27-15

APPROVED BY:
MD

CHECKED BY:
MD

DRAWN BY:
TBW

FIGURE NUMBER
9895-901G-CB-BS

WE CAN ASSUME NO RESPONSIBILITY FOR USE OF SUPERSEDED OR VOID DATA

DIMENSIONS ARE SUBJECT TO MANUFACTURERS TOLERANCE AND CHANGE WITHOUT NOTICE

Light Duty, DIN 19580/EN 1433 Load Class A:
3,500 lbs - 70 psi. For pedestrian, wheelchair and bicycle traffic.

* **9870-447-SSADA** - 13/16 x 3/16 longitudinal stainless steel slot bar grate (171 sq. in.)

Heavy Duty DIN 19580/EN 1433 Load Class C:
56,000 lbs - 1,162 psi. For commercial pneumatic tire traffic patterns, forklifts and tractor trailers.

* **9870-405-GM** - 13/16 x 1/2 longitudinal galv. steel slot bar grate (256.00 sq. in.)

* **9870-411-GPHD** - 1/4 dia perforated galv. steel grate (44.60 sq. in.)

* **9870-430-SSM** - 13/16 x 1/2 longitudinal stainless steel slot bar grate (256.00 sq. in.)

* **9870-465-SSP** - 1/4 dia perforated stainless steel grate (44.60 sq. in.)

* **9870-478-MADA** - 1 3/4 x 5/16 longitudinal ductile iron slotted grate (60.60 sq in.)

* **9870-479-MD** - Mosaic pattern ductile iron grate (38.30 sq. in.)

* **9870-480-IW** - Iron Wave pattern ductile iron grate (58.72 sq. in.)

* **9870-481-ID** - Iron Decorative pattern ductile iron grate (29.10 sq. in.)

Extra Heavy Duty, DIN 19580/EN 1433 Load Class E:
135,000 lbs - 2,788 psi. For commercial solid tire traffic patterns, forklifts and impacts from steel struts or metal wheels.

* **9870-461-M** - 3 15/16 x 3/8 ductile iron slotted grate (81.89 sq. in.)

*Available in QuickLok style

Outlet Flow Rates

Outlet	Outlet Size	Invert Inches	Invert mm	GPM	CFS
A	4" round	20.68	525	235	0.52
B	4" round	27.17	690	273	0.61
C	4" round	19.00	483	224	0.50
D	6" round	27.17	690	602	1.34
E	4" round	19.30	490	226	0.50
F	4" round	25.67	652	265	0.59
G	6" round	20.00	508	505	1.12
H	4" round	19.36	492	227	0.51
J	6" round	27.30	693	604	1.35
K	4" round	26.43	671	269	0.60
L	6" round	26.43	671	593	1.32
M	8" round	27.30	693	1051	2.34
N	6" round	25.85	657	586	1.30
P	4" round	18.56	471	222	0.49
Q	4" round	25.30	643	263	0.59

Note: These are the pipe flow rates at the specified outlet, NOT channel flow rates. Catch basin flow rates are without trash bucket - using trash bucket reduces flow.



REV.	DATE	DESCRIPTION	BY	CKD. BY	WEIGHT POUNDS	VOLUME CUBIC FEET	FIGURE NUMBER 9895-901G-CB-BS
------	------	-------------	----	---------	---------------	-------------------	---