

14" WIDE KLASSIKDRAIN® INLINE CATCH BASIN w/INTEGRAL METAL RAIL

DRAWING NUMBER: 9895-621G-CB

SIZE: A

SCALE: NONE

DATE: 6-8-15

APPROVED BY: MD

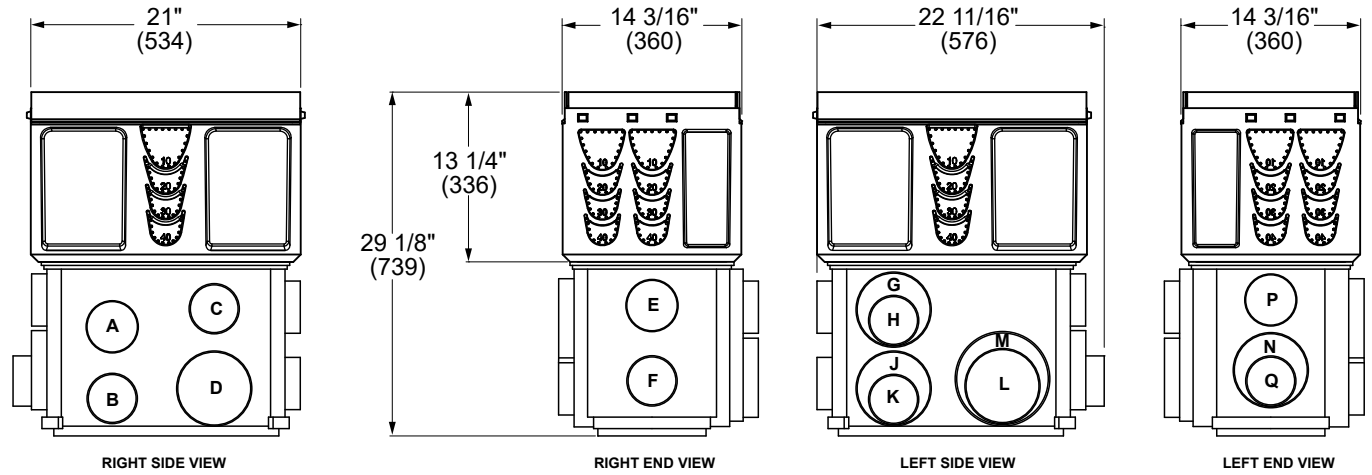
CHECKED BY: MD

DRAWN BY: TBW

FIGURE NUMBER: 9895-621G-CB

WE CAN ASSUME NO RESPONSIBILITY FOR USE OF SUPERSEDED OR VOID DATA

DIMENSIONS ARE SUBJECT TO MANUFACTURERS TOLERANCE AND CHANGE WITHOUT NOTICE



Note: See Back For Outlet Sizes And Flow Capacities

4" Diameter Foul Air trap, part number 690854-45-6, Can be Fitted to Catch Basin at Outlet Positions A/B and E/F

- REGULARLY FURNISHED:**
 1/2 meter (1.64') Precast Polyester Concrete Catch Basin with an Integral Galvanized Steel Edge Rail.
- VARIATIONS:**
- Grate Specifications (See Back)
 - Foul Air Trap (4" only) -FAT
 - Grate Removal Tool
- OPTIONAL MATERIALS:**
- Stainless Steel

Note: This Trench Drain System is Designed for "On Grade Applications Only" as There are No Provisions for a Flashing Flange or Flashing Clamp

Note: This Catch Basin Comes Standard with Polymer Concrete Top, Quicklok Locking Bar, Plastic Sediment Bucket, and Plastic Base. Select Suitable Grate.



REV.	DATE	DESCRIPTION	BY	CKD. BY	WEIGHT POUNDS	VOLUME CUBIC FEET	FIGURE NUMBER
A	9-1-23	Removed Function	HS	CL			9895-621G-CB

SMITH® JAY R. SMITH MFG. CO.®
 MEMBER OF MORRIS GROUP INTERNATIONAL
 POST OFFICE BOX 3237
 MONTGOMERY, ALABAMA 36109-0237 (USA)
 TEL: 334-277-8520 FAX: 888-377-7818 www.jrsmith.com



LOCATION

14" WIDE KLASSIKDRAIN® INLINE CATCH BASIN w/INTEGRAL METAL RAIL

DRAWING NUMBER: 9895-621G-CB-BS

SIZE: A

SCALE: NONE

DATE: 6-8-15

APPROVED BY: MD

CHECKED BY: MD

DRAWN BY: TBW

FIGURE NUMBER: 9895-621G-CB-BS

WE CAN ASSUME NO RESPONSIBILITY FOR USE OF SUPERSEDED OR VOID DATA

DIMENSIONS ARE SUBJECT TO MANUFACTURERS TOLERANCE AND CHANGE WITHOUT NOTICE

Light Duty, DIN 19580/EN 1433 Load Class A:
 3,500 lbs - 70 psi. For pedestrian, wheelchair and bicycle traffic.

* **9890-847-SSADA** - 13/16 x 3/16 longitudinal stainless steel slot bar grate (171 sq. in.)

Heavy Duty DIN 19580/EN 1433 Load Class C:
 56,000 lbs - 1,162 psi. For commercial pneumatic tire traffic patterns, forklifts and tractor trailers.

- * **9890-805-GM** - 13/16 x 1/2 longitudinal galv. steel slot bar grate (256.00 sq. in.)
- * **9890-813-GPHD** - 1/4 dia perforated galv. steel grate (44.60 sq. in.)
- * **9890-830-SSM** - 13/16 x 1/2 longitudinal stainless steel slot bar grate (256.00 sq. in.)
- * **9890-865-SSP** - 1/4 dia perforated stainless steel grate (44.60 sq. in.)
- * **9890-878-MADA** - 1 3/4 x 5/16 longitudinal ductile iron slotted grate (60.60 sq. in.)
- * **9890-879-MD** - Mosaic pattern ductile iron grate (38.30 sq. in.)
- * **9890-880-IW** - Iron Wave pattern ductile iron grate (58.72 sq. in.)
- * **9890-881-ID** - Iron Decorative pattern ductile iron grate (29.10 sq. in.)

Extra Heavy Duty, DIN 19580/EN 1433 Load Class E:
 135,000 lbs - 2,788 psi. For commercial solid tire traffic patterns, forklifts and impacts from steel struts or metal wheels.

* **9890-861-M** - 3 15/16 x 3/8 ductile iron slotted grate (81.89 sq. in.)

*Available in QuickLok style

Outlet Flow Rates

Outlet	Outlet Size	Invert Inches	Invert mm	GPM	CFS
A	4" round	21.29	541	239	0.53
B	4" round	27.75	706	276	0.62
C	4" round	19.72	501	229	0.51
D	6" round	27.75	706	610	1.36
E	4" round	19.84	504	230	0.51
F	4" round	26.34	669	269	0.60
G	6" round	20.62	524	514	1.15
H	4" round	20.06	506	231	0.52
J	6" round	27.75	705	609	1.36
K	4" round	27.19	691	273	0.61
L	6" round	27.19	691	602	1.34
M	8" round	27.75	705	1061	2.36
N	6" round	26.28	668	591	1.32
P	4" round	19.15	486	225	0.50
Q	4" round	25.86	657	266	0.59

Note: These are the pipe flow rates at the specified outlet, NOT channel flow rates. Catch basin flow rates are without trash bucket - using trash bucket reduces flow.



REV.	DATE	DESCRIPTION	BY	CKD. BY	WEIGHT POUNDS	VOLUME CUBIC FEET	FIGURE NUMBER 9895-621G-CB-BS