

A

**SMITH® JAY R. SMITH MFG. CO.®**  
 MEMBER OF MORRIS GROUP INTERNATIONAL  
 POST OFFICE BOX 3237  
 MONTGOMERY, ALABAMA 36109-0237 (USA)  
 TEL: 334-277-8520 FAX: 888-377-7818 www.jrsmith.com



LOCATION

# 14" WIDE 9878-621D-CB POWERDRAIN® CATCH BASIN w/INTEGRAL DUCTILE IRON RAIL

DRAWING NUMBER  
9878-621D-CB

SIZE  
A

SCALE:  
NONE

DATE:  
3-26-14

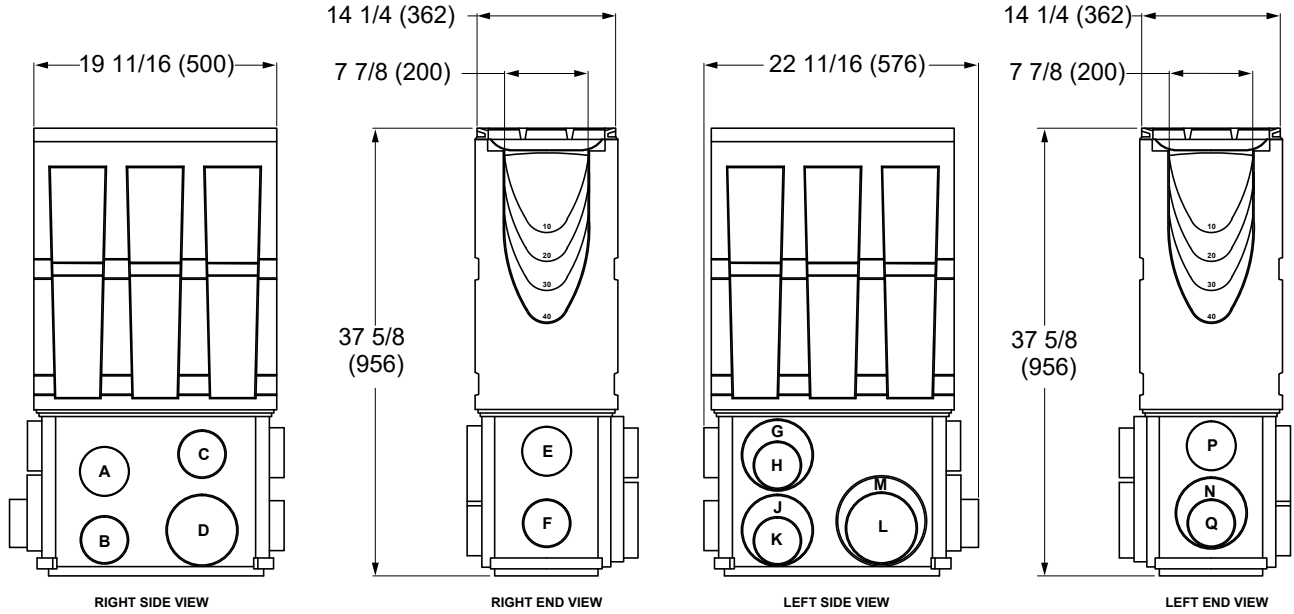
APPROVED BY:  
MRD

CHECKED BY:  
MRD

DRAWN BY:  
TBW

9878-621D-CB

WE CAN ASSUME NO RESPONSIBILITY FOR USE OF SUPERSEDED OR VOID DATA  
DIMENSIONS ARE SUBJECT TO MANUFACTURERS TOLERANCE AND CHANGE WITHOUT NOTICE



**Note: See Back For Outlet Sizes And Flow Capacities**

**REGULARLY FURNISHED:**

1/2 meter (1.64') Precast Polyester Concrete Catch Basin with an Integral Ductile Iron Edge Rail. Total Capacity of XX Gallons. Supplied with Secured Ductile Iron Slotted Grate and Plastic Sediment Bucket.

**VARIATIONS:**

- Grate Specifications (See Back)
- Foul Air Trap (4" only) -FAT
- Grate Removal Tool

**Note:** This Trench Drain System is Designed for "On Grade Applications Only" as There are No Provisions for a Flashing Flange or Flashing Clamp.

**Note:** This Catch Basin Comes Standard with Polymer Concrete Top, Powerlok Ductile Iron grate, Plastic Bucket, and Plastic Base.



FIGURE NUMBER	A	8-30-23	Removed Function	HS	CL	WEIGHT POUNDS	VOLUME CUBIC FEET	FIGURE NUMBER
REV.	DATE	DESCRIPTION	BY	CKD. BY				9878-621D-CB

**SMITH® JAY R. SMITH MFG. CO.®**  
 MEMBER OF MORRIS GROUP INTERNATIONAL  
 POST OFFICE BOX 3237  
 MONTGOMERY, ALABAMA 36109-0237 (USA)  
 TEL: 334-277-8520 FAX: 888-377-7818 www.jrsmith.com



LOCATION

# 14" WIDE 9878-621D-CB POWERDRAIN® CATCH BASIN w/INTEGRAL DUCTILE IRON RAIL

Extra Heavy Duty, DIN 19580/EN 1433 Load Class E: 135,00 lbs - 2323 psi. For commercial solid tire forklift traffic patterns, forklifts and impacts from steel struts or metal wheels.

\*  **Powerlok ADA** - 1 3/8 x 7/16 longitudinal ductile iron slotted grate (56.00 sq in.)

Extra Heavy Duty, DIN 19580/EN 1433 Load Class F: 202,320 lbs - 4182 psi. For aircraft runways, docks, heavy fork trucks, and heavy wheel loads.

\*  **Powerlok Slotted** - 3 13/16 x 7/16 ductile iron slotted grate (126.00 sq. in.)

\*Available With Powerlok Locking Devices Only

Outlet Flow Rates

Outlet	Outlet Size	Invert Inches	Invert mm	GPM	CFS
A	4" round	29.80	757	287	0.64
B	4" round	36.29	922	319	0.71
C	4" round	28.22	717	279	0.62
D	6" round	36.29	922	707	1.57
E	4" round	28.38	721	280	0.62
F	4" round	34.88	886	312	0.70
G	6" round	29.15	740	626	1.40
H	4" round	28.59	726	281	0.63
J	6" round	36.28	922	707	1.57
K	4" round	35.72	907	316	0.70
L	6" round	35.72	907	701	1.56
M	8" round	36.28	922	1237	2.76
N	6" round	34.78	883	690	1.54
P	4" round	27.65	702	276	0.61
Q	4" round	34.36	872	310	0.69

**Note:** These are the pipe flow rates at the specified outlet, NOT channel flow rates. Catch basin flow rates are without trash bucket - using trash bucket reduces flow.

DRAWING NUMBER  
9896-621D-CB-BS

SIZE  
A

SCALE:  
NONE

DATE:  
3-26-14

APPROVED BY:  
MRD

CHECKED BY:  
MRD

DRAWN BY:  
TBW

FIGURE NUMBER  
9878-621D-CB-BS

WE CAN ASSUME NO RESPONSIBILITY FOR USE OF SUPERSEDED OR VOID DATA  
DIMENSIONS ARE SUBJECT TO MANUFACTURERS TOLERANCE AND CHANGE WITHOUT NOTICE



REV.	DATE	DESCRIPTION	BY	CKD. BY	WEIGHT POUNDS	VOLUME CUBIC FEET	FIGURE NUMBER <b>9878-621D-CB-BS</b>
------	------	-------------	----	---------	---------------	-------------------	---