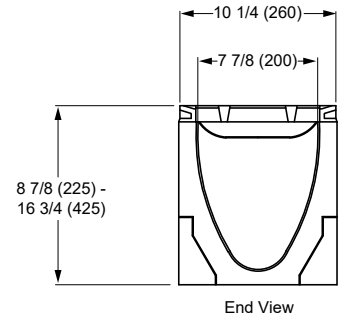
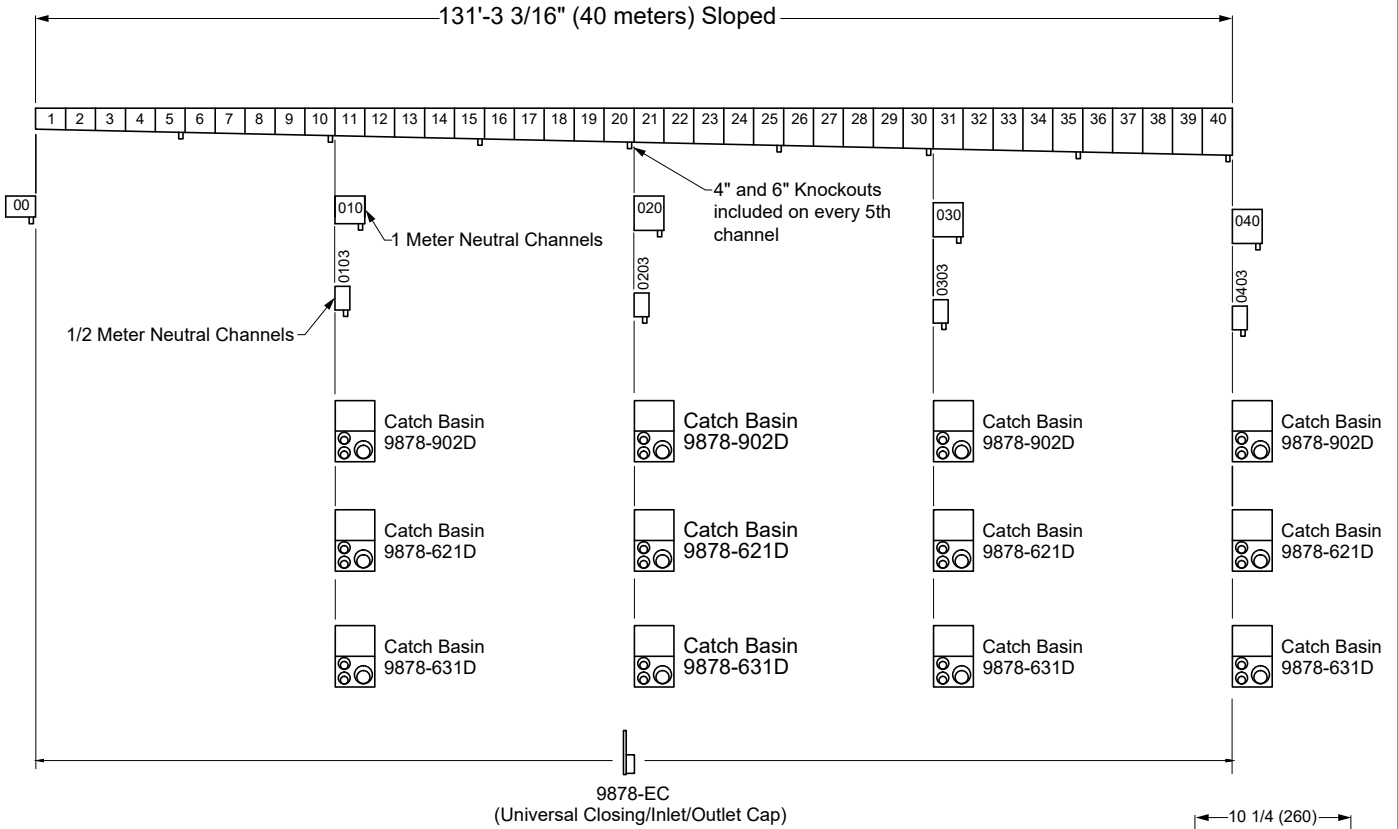




LOCATION

# 10" WIDE 9878 POWERDRAIN® DRAIN SYSTEM w/INTEGRAL DUCTILE IRON EDGE RAIL



**REGULARLY FURNISHED:**  
 1 meter (3.28') Precast Polyester Concrete Channel of Interlocking Design with a Built in Slope of .5%. Channel has an Integral Ductile Iron Edge Rail with Radiused Bottom and 8" Internal Width. Supplied with Secured Ductile Iron Grates.

- VARIATIONS:**
- Grate Specifications (See Back)
  - UNV Closing/Inlet/Outlet Cap
  - 9878-902D Catch Basin
  - 9878-621D Catch Basin
  - 9878-631D Catch Basin
  - Foul Air Trap (4" only)
  - 9854 Plastic Dome Bottom Strainer (4" only)
  - Installation Device
  - Grate Removal Tool

**Note:** This trench drainage system is designed for "ON GRADE APPLICATIONS ONLY", as there are no provisions for a flashing flange or flashing clamp.

**Note:** Catch Basins Come Standard with Polymer Concrete Top, Powerlok Ductile Iron Grate, Plastic Bucket, and Plastic Base. 631 Basins also come with Plastic Riser.

DRAWING NUMBER: S9878  
 SIZE: A  
 SCALE: NONE  
 DATE: 6-5-14  
 APPROVED BY: MRD  
 CHECKED BY: MRD  
 DRAWN BY: TBW  
 FIGURE NUMBER: 9878

WE CAN ASSUME NO RESPONSIBILITY FOR USE OF SUPERSEDED OR VOID DATA  
 DIMENSIONS ARE SUBJECT TO MANUFACTURERS TOLERANCE AND CHANGE WITHOUT NOTICE

REV.	DATE	DESCRIPTION	BY	CKD. BY	WEIGHT POUNDS	VOLUME CUBIC FEET	FIGURE NUMBER
A	8-30-23	Removed Function	HS	CL			<b>9878</b>



**JAY R. SMITH MFG. CO.**  
 MEMBER OF MORRIS GROUP INTERNATIONAL  
 POST OFFICE BOX 3237  
 MONTGOMERY, ALABAMA 36109-0237 (USA)  
 TEL: 334-277-8520 FAX: 888-377-7818 www.jrsmith.com



LOCATION

# 10" WIDE 9878 POWERDRAIN® DRAIN SYSTEM w/INTEGRAL DUCTILE IRON EDGE RAIL

## DEEP END DEPTHS 9878 SYSTEM

Channel Number	Deep End Invert Inch	Deep End Invert mm	Slope	Slotted Weight Lbs.	ADA Weight Lbs.
9878-00	7.87	200	0.0%	141.2	133.7
9878-1	8.07	205	0.5%	141.2	133.7
9878-2	8.27	210	0.5%	142.3	134.8
9878-3	8.46	215	0.5%	143.4	135.9
9878-4	8.66	220	0.5%	144.5	137.0
9878-5	8.86	225	0.5%	145.6	138.1
9878-6	9.06	230	0.5%	146.7	139.2
9878-7	9.25	235	0.5%	147.8	140.3
9878-8	9.45	240	0.5%	148.9	141.4
9878-9	9.65	245	0.5%	150.0	142.5
9878-10	9.84	250	0.5%	151.1	143.6
9878-010	9.84	250	0.0%	151.2	143.7
9878-103	9.84	250	0.0%	89.2	85.45
9878-11	10.04	255	0.5%	152.2	144.7
9878-12	10.24	260	0.5%	153.3	145.8
9878-13	10.43	265	0.5%	154.4	146.9
9878-14	10.63	270	0.5%	155.6	148.1
9878-15	10.83	275	0.5%	156.7	149.2
9878-16	11.02	280	0.5%	157.8	150.3
9878-17	11.22	285	0.5%	158.9	151.4
9878-18	11.42	290	0.5%	160.0	152.5
9878-19	11.61	295	0.5%	161.1	153.6
9878-20	11.81	300	0.5%	162.2	154.7
9878-020	11.81	300	0.0%	162.2	154.7
9878-203	11.81	300	0.0%	96.8	93.05
9878-21	12.01	305	0.5%	163.3	155.8
9878-22	12.20	310	0.5%	164.4	156.9
9878-23	12.40	315	0.5%	165.5	158.0
9878-24	12.60	320	0.5%	166.6	159.1
9878-25	12.80	325	0.5%	167.7	160.2
9878-26	12.99	330	0.5%	168.8	161.3
9878-27	13.19	335	0.5%	169.9	162.4
9878-28	13.39	340	0.5%	171.0	163.5
9878-29	13.58	345	0.5%	172.1	164.6
9878-30	13.78	350	0.5%	173.2	165.7
9878-030	13.78	350	0.0%	173.2	165.7
9878-303	13.78	350	0.0%	101.3	97.55
9878-31	13.98	355	0.5%	174.4	166.9
9878-32	14.17	360	0.5%	175.5	168.0
9878-33	14.37	365	0.5%	176.6	169.1
9878-34	14.57	370	0.5%	177.7	170.2
9878-35	14.76	375	0.5%	178.8	171.3
9878-36	14.96	380	0.5%	179.9	172.4
9878-37	15.16	385	0.5%	181.0	173.5
9878-38	15.35	390	0.5%	182.1	174.6
9878-39	15.55	395	0.5%	183.2	175.7
9878-40	15.75	400	0.5%	184.3	176.8
9878-040	15.75	400	0.0%	184.3	176.8
9878-403	15.75	400	0.0%	110.1	106.4

Note: For overall depth of channel add 1.00" to invert depth shown.

Extra Heavy Duty, DIN 19580/EN 1433 Load Class E: 135,00 lbs - 2323 psi. For commercial solid tire forklift traffic patterns, forklifts and impacts from steel struts or metal wheels.

\*  Powerlok ADA - 1 3/8 x 7/16 longitudinal ductile iron slotted grate (56.00 sq in.)

Extra Heavy Duty, DIN 19580/EN 1433 Load Class F: 202,320 lbs - 4182 psi. For aircraft runways, docks, heavy fork trucks, and heavy wheel loads.

\*  Powerlok Slotted - 3 13/16 x 7/16 ductile iron slotted grate (71.00 sq. in.)

\*Available With Powerlok Locking Devices Only

DRAWING NUMBER  
S9878-BS

SIZE  
A

SCALE:  
NONE

DATE:  
2-13-14

APPROVED BY:  
MRD

CHECKED BY:  
MRD

DRAWN BY:  
TBW

FIGURE NUMBER  
9878BS

WE CAN ASSUME NO RESPONSIBILITY FOR USE OF SUPERSEDED OR VOID DATA

DIMENSIONS ARE SUBJECT TO MANUFACTURERS TOLERANCE AND CHANGE WITHOUT NOTICE

A	12-18-14	Revised Table	TBW	PJ
REV.	DATE	DESCRIPTION	BY	CKD. BY

WEIGHT POUNDS	VOLUME CUBIC FEET
---------------	-------------------

FIGURE NUMBER  
**9878BS**