



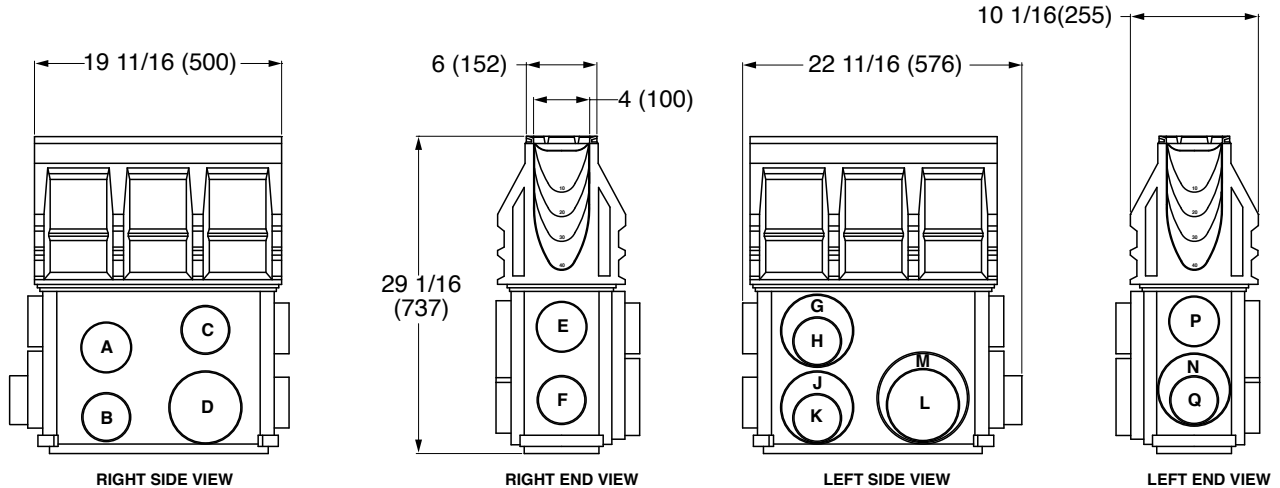
JAY R. SMITH MFG. CO.
 MEMBER OF MORRIS GROUP INTERNATIONAL
 POST OFFICE BOX 3237
 MONTGOMERY, ALABAMA 36109-0237 (USA)
 TEL: 334-277-8520 FAX: 334-272-7396 www.jrsmith.com



LOCATION

6" WIDE POWERDRAIN® INLINE CATCH BASIN W/INTEGRAL DUCTILE IRON RAIL

FUNCTION: Used in all surface drainage applications. May be assembled to 9877 trench drain to collect debris and sediment and allow extra collection capacity. Has integral ductile iron edge rails that allow for extra heavy duty hard wheel traffic applications.



Note: See Back For Outlet Sizes And Flow Capacities

REGULARLY FURNISHED:

1/2 meter (1.64') Precast Polyester Concrete Catch Basin with an Integral Ductile Iron Edge Rail. Total Capacity of 10.50 Gallons. Supplied with Secured Grate as Per Specification.

VARIATIONS:

- Grate Specifications (See Back)
- Closing/Inlet/Outlet Cap -UNV
- Foul Air Trap (4" only)
- Grate Removal Tool

Note: This Trench Drain System is Designed for "On Grade Applications Only" as There are No Provisions for a Flashing Flange or Flashing Clamp

Note: This Catch Basin Comes Standard with Polymer Concrete Top, Powerlok Ductile Iron Grate, Plastic Bucket, and Plastic Base.



DRAWING NUMBER
9877-901D-CB

SIZE
A

SCALE:
NONE

DATE:
7-7-15

APPROVED BY:
MD

CHECKED BY:
MD

DRAWN BY:
TBW

9877-901D-CB

FIGURE NUMBER

WE CAN ASSUME NO RESPONSIBILITY FOR USE OF SUPERSEDED OR VOID DATA

DIMENSIONS ARE SUBJECT TO MANUFACTURERS TOLERANCE AND CHANGE WITHOUT NOTICE

REV.	DATE	DESCRIPTION	BY	CKD. BY

WEIGHT POUNDS

VOLUME CUBIC FEET

FIGURE NUMBER
9877-901D-CB



JAY R. SMITH MFG. CO.®
 MEMBER OF MORRIS GROUP INTERNATIONAL
 POST OFFICE BOX 3237
 MONTGOMERY, ALABAMA 36109-0237 (USA)
 TEL: 334-277-8520 FAX: 334-272-7396 www.jrsmith.com



MEMBER OF:

LOCATION

6" WIDE POWERDRAIN® INLINE CATCH BASIN W/INTEGRAL DUCTILE IRON RAIL

DRAWING NUMBER
S9877-901D-CB-BS

SIZE
A

SCALE:
NONE

DATE:
7-7-15

APPROVED BY:
MD

CHECKED BY:
MD

DRAWN BY:
TBW

FIGURE NUMBER
9877-901D-CB-BS

WE CAN ASSUME NO RESPONSIBILITY FOR USE OF SUPERSEDED OR VOID DATA

DIMENSIONS ARE SUBJECT TO MANUFACTURERS TOLERANCE AND CHANGE WITHOUT NOTICE

Extra Heavy Duty, DIN 19580/EN 1433 Load Class F:
202,320 lbs - 4182 psi. For aircraft runways, docks,
heavy fork trucks, and heavy wheel loads.

- * **Powerlok Slotted** - 3 13/16 x 7/16 ductile iron slotted grate (23.00 sq. in.)
- * **Powerlok ADA** - 1 3/8 x 7/16 longitudinal ductile iron slotted grate (25.20 sq in.)

*Available With Powerlok Locking Devices Only

Outlet Flow Rates

Outlet	Outlet Size	Invert Inches	Invert mm	GPM	CFS
A	4" round	21.30	542	239	0.53
B	4" round	27.79	706	276	0.62
C	4" round	19.75	502	228	0.53
D	6" round	27.81	706	610	1.36
E	4" round	19.88	505	230	0.51
F	4" round	26.38	670	268	0.60
G	6" round	20.65	525	514	1.15
H	4" round	20.12	511	231	0.51
J	6" round	27.79	706	611	1.36
K	4" round	27.22	691	272	0.61
L	6" round	27.22	691	601	1.34
M	8" round	27.79	706	1065	2.37
N	6" round	26.29	668	593	1.32
P	4" round	20.12	511	231	0.51
Q	4" round	25.88	657	266	0.59

Note: These are the pipe flow rates at the specified outlet, NOT channel flow rates. Catch basin flow rates are without trash bucket - using trash bucket reduces flow.



REV.	DATE	DESCRIPTION	BY	CKD. BY	WEIGHT POUNDS	VOLUME CUBIC FEET	FIGURE NUMBER
							9877-901D-CB-BS