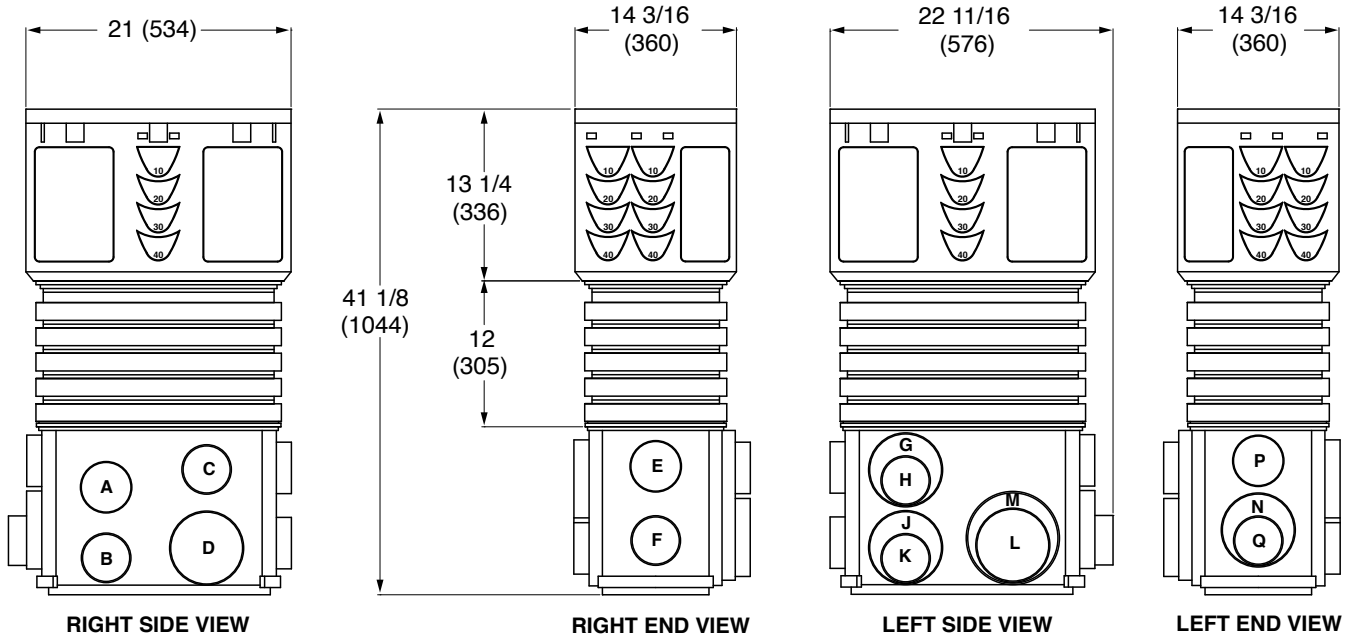




LOCATION

14" WIDE POWERDRAIN® CATCH BASIN W/INTEGRAL DUCTILE IRON RAIL

FUNCTION: Used in all surface drainage applications. May be assembled to 9877 trench drain to collect debris and sediment and allow extra collection capacity. Has integral ductile iron edge rails that allow for extra heavy duty hard wheel traffic applications.



Note: See Back for Outlet Sizes and Flow Capacities

Note: Riser can be cut down in 1" increments.

REGULARLY FURNISHED:

1/2 meter (1.64') Precast Polyester Concrete Catch Basin with an Integral Ductile Iron Edge Rail. Total Capacity of XX Gallons. Supplied with Secured Ductile Iron Slotted Grate and Deep Plastic Sediment Bucket.

VARIATIONS:

- Grate Specifications (See Back)
- Closing/Inlet/Outlet Cap -UNV
- Foul Air Trap (4" only) -FAT
- Grate Removal Tool

Note: This Trench Drain System is Designed for "On Grade Applications Only" as There are No Provisions for a Flashing Flange or Flashing Clamp

Note: This Catch Basin Comes Standard with Polymer Concrete Top, Powerlok Ductile Iron Grate, Plastic Riser, Plastic Bucket, and Plastic Base.



DRAWING NUMBER: 9877-631D-CB
 SIZE: A
 SCALE: NONE
 DATE: 7-9-15
 APPROVED BY: MD
 CHECKED BY: MD
 DRAWN BY: TBW
 FIGURE NUMBER: 9877-631D-CB

WE CAN ASSUME NO RESPONSIBILITY FOR USE OF SUPERSEDED OR VOID DATA
 DIMENSIONS ARE SUBJECT TO MANUFACTURERS TOLERANCE AND CHANGE WITHOUT NOTICE

REV.	DATE	DESCRIPTION	BY	CKD. BY	WEIGHT POUNDS	VOLUME CUBIC FEET	FIGURE NUMBER
							9877-631D-CB



JAY R. SMITH MFG. CO.®
 MEMBER OF MORRIS GROUP INTERNATIONAL
 POST OFFICE BOX 3237
 MONTGOMERY, ALABAMA 36109-0237 (USA)
 TEL: 334-277-8520 FAX: 334-272-7396 www.jrsmith.com



MEMBER OF:

LOCATION

DRAWING NUMBER
9877-631D-CB-BS

SIZE
A

SCALE:
NONE

DATE:
7-13-15

APPROVED BY:
MD

CHECKED BY:
MD

DRAWN BY:
TBW

FIGURE NUMBER
9877-631D-CB-BS

WE CAN ASSUME NO RESPONSIBILITY FOR USE OF SUPERSEDED OR VOID DATA
 DIMENSIONS ARE SUBJECT TO MANUFACTURERS TOLERANCE AND CHANGE WITHOUT NOTICE

14" WIDE POWERDRAIN® CATCH BASIN W/INTEGRAL DUCTILE IRON RAIL

Extra Heavy Duty, DIN 19580/EN 1433 Load Class E:
 135,00 lbs - 2323 psi. For commercial solid tire forklift traffic patterns, forklifts and impacts from steel struts or metal wheels.

* **Powerlock ADA** - 1 3/8 x 7/16 longitudinal ductile iron slotted grate (56.00 sq. in.)

Extra Heavy Duty, DIN 19580/EN 1433 Load Class F:
 202,320 lbs - 4182 psi. For aircraft runways, docks, heavy fork trucks, and heavy wheel loads.

* **Powerlok Slotted** - 3 13/16 x 7/16 ductile iron slotted grate (126.00 sq. in.)

*Available With Powerlock Locking Devices Only

Outlet Flow Rates

Outlet	Outlet Size	Invert Inches	Invert mm	GPM	CFS
A	4" round	41.80	1062	343	0.77
B	4" round	48.29	1227	370	0.83
C	4" round	40.22	1022	337	0.75
D	6" round	48.29	1227	824	1.84
E	4" round	40.38	1027	337	0.75
F	4" round	46.88	1191	365	0.81
G	6" round	41.15	1045	757	1.69
H	4" round	40.59	1031	338	0.75
J	6" round	48.28	1226	824	1.84
K	4" round	47.72	1212	368	0.82
L	6" round	47.72	1212	819	1.83
M	8" round	48.28	1226	1449	3.23
N	6" round	46.78	1188	810	1.81
P	4" round	39.65	1007	334	0.74
Q	4" round	46.38	1178	363	0.81

Note: These are the pipe flow rates at the specified outlet, NOT channel flow rates. Catch basin flow rates are without trash bucket - using trash bucket reduces flow.

REV.	DATE	DESCRIPTION	BY	CKD. BY

WEIGHT POUNDS	VOLUME CUBIC FEET	FIGURE NUMBER 9877-631D-CB-BS
---------------	-------------------	---