

SMITH® JAY R. SMITH MFG. CO.®
 MEMBER OF MORRIS GROUP INTERNATIONAL
 POST OFFICE BOX 3237
 MONTGOMERY, ALABAMA 36109-0237 (USA)
 TEL: 334-277-8520 FAX: 334-272-7396 www.jrsmith.com



LOCATION

14" WIDE POWERDRAIN® CATCH BASIN W/INTEGRAL DUCTILE IRON RAIL

FUNCTION: Used in all surface drainage applications. May be assembled to 9877 trench drain to collect debris and sediment and allow extra collection capacity. Has integral ductile iron edge rails that allow for extra heavy duty hard wheel traffic applications.

DRAWING NUMBER
9877-621D-CB

SIZE
A

SCALE:
NONE

DATE:
7-9-15

APPROVED BY:
MD

CHECKED BY:
MD

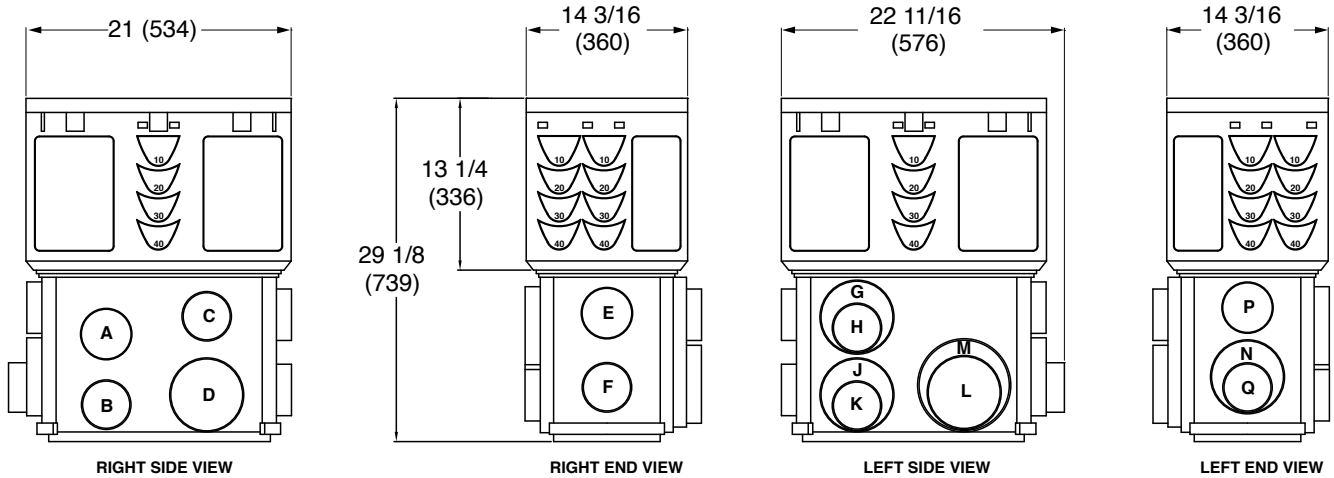
DRAWN BY:
TBW

9877-621D-CB

FIGURE NUMBER

WE CAN ASSUME NO RESPONSIBILITY FOR USE OF SUPERSEDED OR VOID DATA

DIMENSIONS ARE SUBJECT TO MANUFACTURERS TOLERANCE AND CHANGE WITHOUT NOTICE



Note: See Back For Outlet Sizes And Flow Capacities

REGULARLY FURNISHED:

1/2 meter (1.64') Precast Polyester Concrete Catch Basin with an Integral Ductile Iron Edge Rail. Total Capacity of XX Gallons. Supplied with Secured Ductile Iron Slotted Grate and Plastic Sediment Bucket.

Note: This Trench Drain System is Designed for "On Grade Applications Only" as There are No Provisions for a Flashing Flange or Flashing Clamp

Note: This Catch Basin Comes Standard with Polymer Concrete Top, Powerlok Ductile Iron Grate, Plastic Bucket, and Plastic Base.

VARIATIONS:

- Grate Specifications (See Back)
- Foul Air Trap (4" only) -FAT
- Grate Removal Tool



REV.	DATE	DESCRIPTION	BY	CKD. BY	WEIGHT POUNDS	VOLUME CUBIC FEET	FIGURE NUMBER 9877-621D-CB
------	------	-------------	----	---------	---------------	-------------------	--------------------------------------



JAY R. SMITH MFG. CO.®
 MEMBER OF MORRIS GROUP INTERNATIONAL
 POST OFFICE BOX 3237
 MONTGOMERY, ALABAMA 36109-0237 (USA)
 TEL: 334-277-8520 FAX: 334-272-7396 www.jrsmith.com



MEMBER OF:

LOCATION

14" WIDE POWERDRAIN® CATCH BASIN W/INTEGRAL DUCTILE IRON RAIL

DRAWING NUMBER
S9877-621D-CB-BS

SIZE
A

SCALE:
NONE

DATE:
7-9-15

APPROVED BY:
MD

CHECKED BY:
MD

DRAWN BY:
TBW

FIGURE NUMBER
9877-621D-CB-BS

WE CAN ASSUME NO RESPONSIBILITY FOR USE OF SUPERSEDED OR VOID DATA
DIMENSIONS ARE SUBJECT TO MANUFACTURERS TOLERANCE AND CHANGE WITHOUT NOTICE

Extra Heavy Duty, DIN 19580/EN 1433 Load Class E: 135,00 lbs - 2323 psi. For commercial solid tire forklift traffic patterns, forklifts and impacts from steel struts or metal wheels.

* **Powerlok ADA** - 1 3/8 x 7/16 longitudinal ductile iron slotted grate (56.00 sq in.)

Extra Heavy Duty, DIN 19580/EN 1433 Load Class F: 202,320 lbs - 4182 psi. For aircraft runways, docks, heavy fork trucks, and heavy wheel loads.

* **Powerlok Slotted** - 3 13/16 x 7/16 ductile iron slotted grate (126.00 sq. in.)

*Available With Powerlok Locking Devices Only

Outlet Flow Rates

Outlet	Outlet Size	Invert Inches	Invert mm	GPM	CFS
A	4" round	21.29	541	239	0.53
B	4" round	27.79	706	276	0.62
C	4" round	19.72	501	229	0.51
D	6" round	27.79	706	610	1.36
E	4" round	19.84	504	230	0.51
F	4" round	26.34	669	269	0.60
G	6" round	20.62	524	514	1.15
H	4" round	20.06	510	231	0.52
J	6" round	27.76	705	609	1.36
K	4" round	27.18	690	273	0.61
L	6" round	27.18	690	602	1.34
M	8" round	27.75	705	1061	2.36
N	6" round	26.28	668	591	1.32
P	4" round	19.15	486	225	0.50
Q	4" round	25.88	657	266	0.59

Note: These are the pipe flow rates at the specified outlet, NOT channel flow rates. Catch basin flow rates are without trash bucket - using trash bucket reduces flow.



REV.	DATE	DESCRIPTION	BY	CKD. BY

WEIGHT POUNDS	VOLUME CUBIC FEET

FIGURE NUMBER
9877-621D-CB-BS