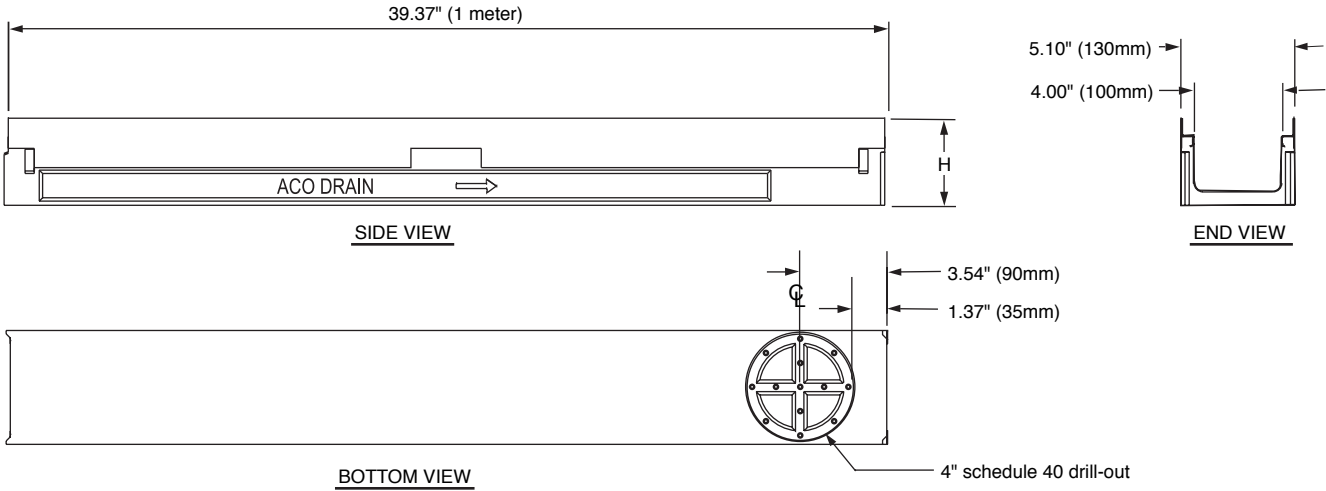


SHALLOW CHANNEL

FUNCTION: Used in surface drainage applications where installation depth is restricted. Channels may be assembled in any length utilizing interlocking tongue and groove ends. This reduces installation time and cost, providing an engineered solution to drainage requirements.



✓	CHANNEL TYPE	"H"
	080	3.12" (80mm)

NOTE: Channels are provided with Vertical Preformed Knock-Out for 4" sch. 40 PVC Pipe.

NOTE: Dimensions in parentheses are MM.

REGULARLY FURNISHED:
 1 meter (3.28') Precast Polymer Concrete Channel of Interlocking Design with a Non-Sloping Flat Bottom Channel and Integral Galv. Steel Rail edge. Supplied with Secured Grate as per Specification.

- Channel Type 080**
- Closing End Cap Universal (Galvanized)
 - Closing End Cap Universal (Stainless)

OPTIONAL MATERIALS:
 Stainless Steel Rail Edge (see back sheet for Grate Details)

NOTE: This trench drainage system is designed for "on grade applications only", as there are no provisions for a flashing flange or flashing clamp.



DRAWING NUMBER: 9836
 SIZE: A
 SCALE: NONE
 DATE: 8/11/06
 APPROVED BY: MD
 CHECKED BY: MD
 DRAWN BY: RN
 FIGURE NUMBER: 9836

WE CAN ASSUME NO RESPONSIBILITY FOR USE OF SUPERSEDED OR VOID DATA

F	1-23-14	Removed Vinylester Material	TBW	PACE	WEIGHT	VOLUME	FIGURE NUMBER
E	6-20-13	Deleted 0100 Channel	TBW	PACE	POUNDS	CUBIC FEET	9836
D	8/24/06	Added mm to "H" Dim's.	RN	MD			
C	8/22/06	Revised H Dim's.	RN	MD			
REV.	DATE	DESCRIPTION	BY	CKD. BY			

SHALLOW CHANNEL

GRATE SPECIFICATIONS BY LOAD CLASS

Light Duty, DIN 19580 **Class A** - 3,500 lbs - 70 psi
 For pedestrian, wheel chair and bicycle traffic

- 9870-410-GP- 1/4" dia. perforated galv. steel grate (27.60 SQ. IN.) Open Area/1 Meter
- 9870-420-G - 3 1/4" x 3/8" slotted galv. steel grate (42.60 SQ. IN.) Open Area/1 Meter
- 9870-450-SS- 3 1/4" x 3/8" slotted stainless steel grate (42.60 SQ. IN.) Non Q-Loc) Open Area/1 Meter
- 9870-451-SSPA- 1/4" dia. perforated stainless steel grate (27.60 SQ. IN.) Open Area/1 Meter
- 9870-445-SSADA- 13/16" x 3/16" longitudinal stainless steel slot bar grate (95.00 SQ. IN.) Open Area/1 Meter
- 9870-494-PADA- 1 3/4" x 5/16" longitudinal slot black polypropylene grate (28.0 SQ. IN.) Open Area/1/2 Meter
- 9930-HPP- 1 13/16" x 1/4" slotted black polypropylene grate non-Q-loc (17.00 SQ. IN.) Open Area/1/2 Meter

Heavy Duty, DIN 19580 **Class C** -56,000 lbs - 1,162 psi
 For commercial pneumatic tire traffic patterns, forklifts and tractor trailers

- 9870-405-GM- 13/16" x 1/2" longitudinal galv. steel slot bar grate (125.30 SQ. IN.) Open Area/1 Meter
- 9870-411 -GPHD- 1/4" dia. perforated galv. steel grate (27.60 SQ. IN.) Open Area/1 Meter
- 9870-425-GHD- 3 1/4" x 3/8" slotted galv. steel grate (42.60 SQ. IN.) Open Area/1 Meter
- 9870-430-SSM- 1 3/16" x 1/2" longitudinal stainless steel slot bar grate (125.30 SQ. IN.) Open Area/1 Meter
- 9870-455-SSHD- 3 1/4" x 3/8" slotted stainless steel grate (42.60 SQ. IN.)Open Area/1 Meter
- 9870-465-SSP- 1/4" dia. perforated stainless steel grate (27.60 SQ. IN.) Open Area/1 Meter
- 9870-477-ML- 1 3/4" x 1" longitudinal ductile iron slotted grate (42.00 SQ. IN.) Open Area/1/2 Meter
- 9870-479-MD- Mosaic pattern ductile iron grate (19.50 SQ. IN) Open Area/1/2 Meter
- 9870-492-RC- 1 1/2" x 13/16" slotted resin composite grate (16.30 SQ. IN.)Open Area/1/2 Meter

Extra Heavy Duty, DIN 19580 **Class E**- 135,000 lbs - 2,788 psi
 For commercial solid tire traffic patterns, forklifts and impacts from steel struts or metal wheels.

- 9870-435-GHDE- 3 1/4" x 3/8" slotted galv. steel grate (42.60 SQ. IN.)
- 9870-456-MS- solid ductile iron cover (Non Q-Loc)
- 9870-461-M- 3 15/16" x 3/8" ductile iron slotted grate (21.00 SQ. IN.)
- 9870-478-ADA- 1 3/4" x 5/16" longitudinal ductile iron slotted grate (14.30 SQ. IN.)
- 9870-490-SSHDE- 3 1/4" x 3/8" slotted stainless steel grate (42.60 SQ. IN.)

*Available in 1/2" and 1" meter lengths



DRAWING NUMBER: **9836BS**
 SIZE: **A**
 SCALE: **NONE**
 DATE: **8-11-06**
 APPROVED BY: **MD**
 CHECKED BY: **MD**
 DRAWN BY: **RN**
 FIGURE NUMBER: **9836BS**

WE CAN ASSUME NO RESPONSIBILITY FOR USE OF SUPERSEDED OR VOID DATA

REV.	DATE	DESCRIPTION	BY	CKD. BY	WEIGHT POUNDS	VOLUME CUBIC FEET	FIGURE NUMBER
		Deleted 9870-440-VF/VF2 Revised Grate Specifications Removed 9870-460-CI Updated DWG.	TBW TBW RN	PACE PACE PACE			9836BS