

C



JAY R. SMITH MFG. CO.®
 MEMBER OF MORRIS GROUP INTERNATIONAL
 POST OFFICE BOX 3237
 MONTGOMERY, ALABAMA 36109-0237 (USA)
 TEL: 334-277-8520 FAX: 334-272-7396 www.jrsmith.com



MEMBER OF:

LOCATION

9812-LC FRAME AND GRATE SYSTEM

DRAWING NUMBER
a9812-LC

SIZE
A

SCALE:
NONE

DATE:
8-02-2008

APPROVED BY:
PJ

CHECKED BY:
PJ

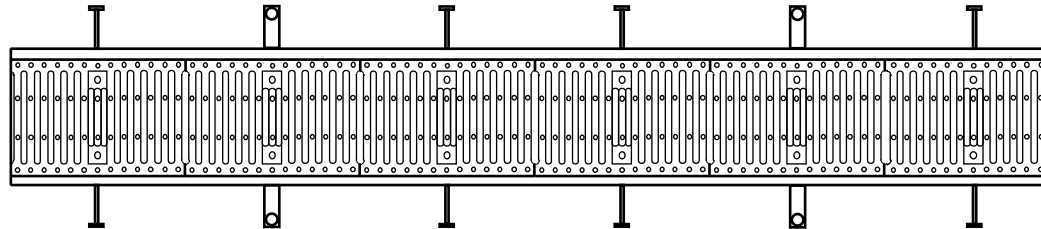
DRAWN BY:
RN

9812-LC

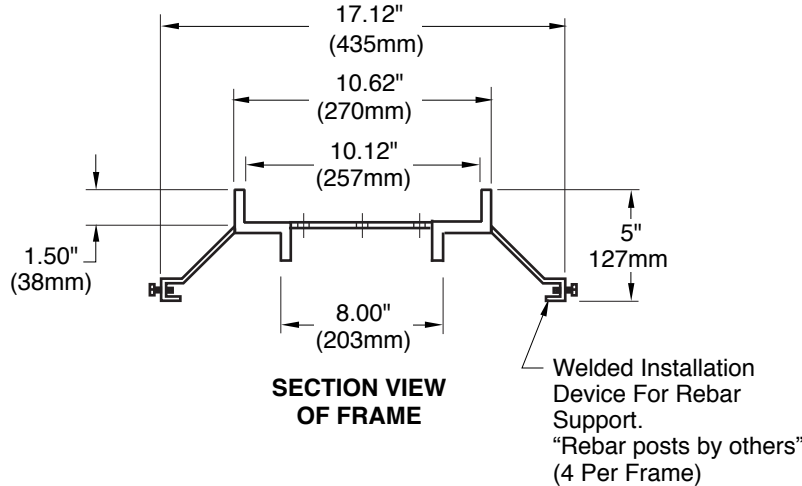
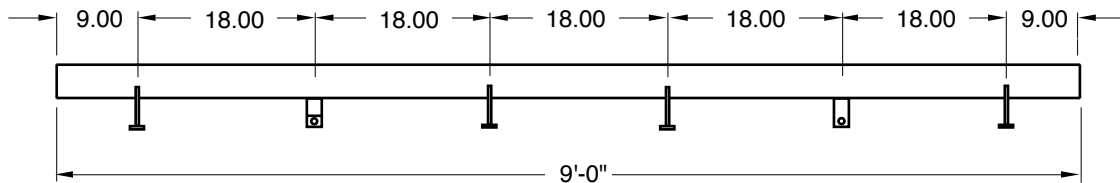
FIGURE NUMBER

WE CAN ASSUME NO RESPONSIBILITY FOR USE OF SUPERSEDED OR VOID DATA

DIMENSIONS ARE SUBJECT TO MANUFACTURERS TOLERANCE AND CHANGE WITHOUT NOTICE



"TOP VIEW CAST IRON SLOTTED GRATE SHOWN"



SECTION VIEW OF FRAME

Welded Installation Device For Rebar Support.
"Rebar posts by others" (4 Per Frame)

VARIATIONS:

- End Frame
- Heavy Duty, DIN 19580 Class C
-56,000 lbs -1,162 psi for commercial pneumatic tire traffic patterns, forklifts and tractor trailers.
- 9812 -CI Slotted Cast Iron Grate
61.25 SQ IN
- 9812 -G Galvanized Bar Grate
263.5 SQ IN
- 9812 -SS (Type 304) Stainless Steel Bar Grate 263.5 SQ IN
- 9812 -F Vinylester Fiberglass Bar Grate 35.00 SQ IN
- Extra Heavy Duty, DIN 19580 Class E
-135,000 lbs -2,788 psi for commercial solid tire traffic pattern, forklifts and impacts from steel struts or metal wheels.
- 9812 -M Slotted Ductile Iron Grate
61.25 SQ IN
- 9812 -MADA Ductile Iron ADA Grate
42.00 SQ IN

REGULARLY FURNISHED:
Powder Coated Welded Steel Frame Support System with Concrete Anchors (One Pair Every 18 Inches). Supplied with Secured Specified Grate.

OPTIONAL FRAME MATERIAL:

- Stainless Steel (304)
- Galvanized Steel



C	09/23/09	Updated Drawing	RN	PJ			
B	09/24/09	Updated Drawing	PJ	PJ			
A	02/04/05	Updated to 9' long, was 6'	JJ	PJ			
REV.	DATE	DESCRIPTION	BY	CKD. BY			

WEIGHT POUNDS	VOLUME CUBIC FEET	FIGURE NUMBER
		9812-LC