

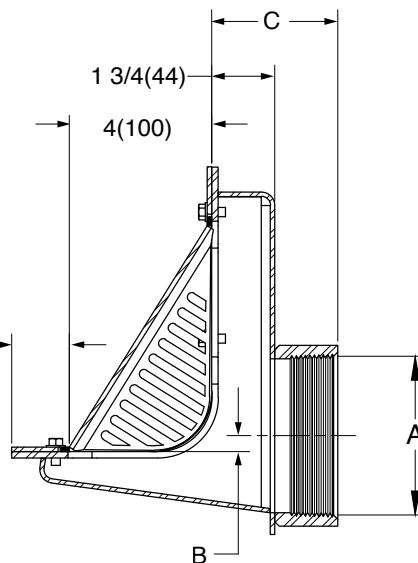
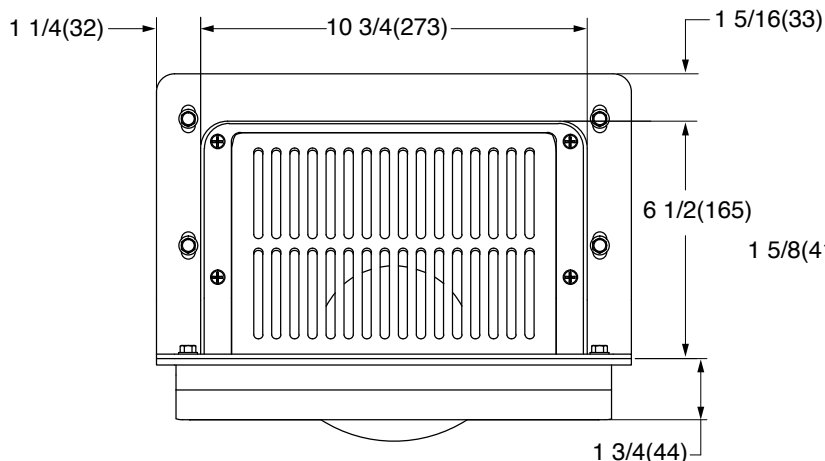
SCUPPER DRAIN



FREE AREA
 30 SQ IN
 (193.5 SQ CM)



File No. 4858



- Fig. 9685BW BUTTWELDED OUTLET (Sch. 40 Regularly Furnished)
- Fig. 9685T THREADED OUTLET
- Fig. 9685Y NO-HUB OUTLET

A PIPE SIZE	B	C
02(50)	-1/4(6)	2 3/4(70)
03(75)	-	3 3/8(86)
04(100)	1/2(13)	3 1/2(89)
06(150)	1 1/2(38)	3 3/4(95)

REGULARLY FURNISHED:
 14 Gauge Type 304 Stainless
 Steel Body, Flashing Collar
 and Secured Angle Grate.

VARIATIONS:
 Vandal Proof Dome -U
 Flush Grate -FG

OPTIONAL MATERIALS:
 Type 316 Stainless Steel -316

SUBJECT TO MANUFACTURING TOLERANCE AND CHANGE WITHOUT NOTICE.

NOTE: Dimensions shown in parentheses are in millimeters.

DRAWING NUMBER
S9685

SIZE
A

SCALE:
NONE

DATE:
7-16-14

APPROVED BY:
JM

CHECKED BY:
CL

DRAWN BY:
TBW

9685

WE CAN ASSUME NO RESPONSIBILITY FOR USE OF SUPERSEDED OR VOID DATA

DIMENSIONS ARE SUBJECT TO MANUFACTURERS TOLERANCE AND CHANGE WITHOUT NOTICE

REV.	DATE	DESCRIPTION	BY	CKD. BY
A	9-18-17	Added cUPC	TBW	CL

WEIGHT POUNDS	VOLUME CUBIC FEET

FIGURE NUMBER
9685