

E

DRAWING NUMBER  
S9642-9643

SIZE  
A

SCALE:  
NONE

DATE:  
7-10-14

APPROVED BY:  
JM

CHECKED BY:  
CL

DRAWN BY:  
TBW

**9642 - 9643**

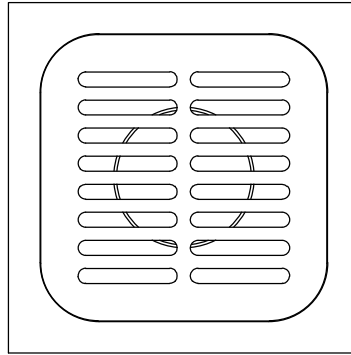
FIGURE NUMBER

WE CAN ASSUME NO RESPONSIBILITY FOR USE OF SUPERSEDED OR VOID DATA

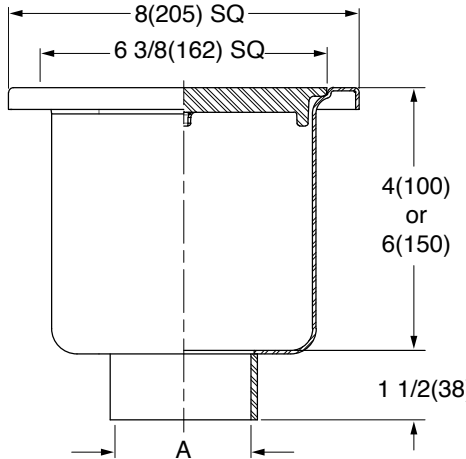
DIMENSIONS ARE SUBJECT TO MANUFACTURERS TOLERANCE AND CHANGE WITHOUT NOTICE

# 14 GAUGE STAINLESS STEEL FLOOR, AREA & INDIRECT WASTE DRAINS

## 8"(205) SQUARE TOP



FREE AREA  
12.66 SQ IN  
(81.68 SQ CM)



**USDA ACCEPTED**



ASME A112.6.3 & CSA B79  
Certified Heavy Duty  
Load Rating



A (Pipe Size) = 02(50), 03(75) or 04(100)

- |                                      |                                       |   |
|--------------------------------------|---------------------------------------|---|
| 4"(100) DEEP                         | 6"(150) DEEP                          |   |
| Fig. <input type="checkbox"/> 9642BW | ..... <input type="checkbox"/> 9643BW | BUTTWELDED OUTLET (Schedule 40 Regularly Furnished) |
| Fig. <input type="checkbox"/> 9642T  | ..... <input type="checkbox"/> 9643T  | THREADED OUTLET                                     |
| Fig. <input type="checkbox"/> 9642Y  | ..... <input type="checkbox"/> 9643Y  | NO-HUB OUTLET                                       |

**REGULARLY FURNISHED:**  
 14 Gauge Type 304 Stainless Steel Receptor Body, Dome Bottom Strainer and Cast Non-Tilt Loose Set Grate. Body Rim and Grate Polished to a No. 4 Finish.

- VARIATIONS:**
- Anchor Flange -F
  - Flange & Flashing Clamp -FC
  - Sediment Bucket -B
  - Flat Bottom Strainer -FBS
  - 1/2"(13) Trap Primer Connection -P050
  - USDA Compliant

**OPTIONAL MATERIALS:**  
 Type 316 Stainless Steel -316

**SUBJECT TO MANUFACTURING TOLERANCE AND CHANGE WITHOUT NOTICE.**

**NOTE:** Dimensions shown in parentheses are in millimeters.

REV.	DATE	DESCRIPTION	BY	CKD. BY	WEIGHT POUNDS	VOLUME CUBIC FEET	FIGURE NUMBER
E	12-13-21	Added ASME and CSA numbers	KK	CL			<b>9642 - 9643</b>
D	11-14-21	Rev. Certified Duty Load Rating	KK	CL			
C	5-17-18	Revised Variations, Added Note	TBW	CL			
B	4-24-17	Added cUPC	TBW	CL			