



JAY R. SMITH MFG. CO.
 MEMBER OF MORRIS GROUP INTERNATIONAL
 POST OFFICE BOX 3237
 MONTGOMERY, ALABAMA 36109-0237 (USA)
 TEL: 334-277-8520 FAX: 888-377-7818 www.jrsmith.com



LOCATION

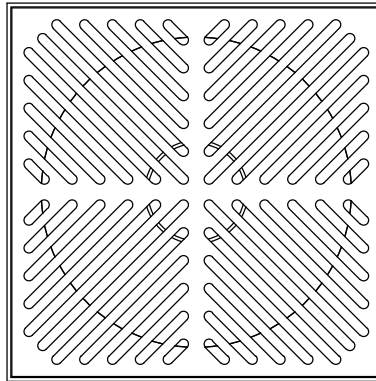
E
 DRAWING NUMBER
S9630-S-9632-S
 SIZE
A
 SCALE:
NONE
 DATE:
7-22-14
 APPROVED BY:
JM
 CHECKED BY:
CL
 DRAWN BY:
TBW
9630 -S - 9632 -S
 FIGURE NUMBER

WE CAN ASSUME NO RESPONSIBILITY FOR USE OF SUPERSEDED OR VOID DATA

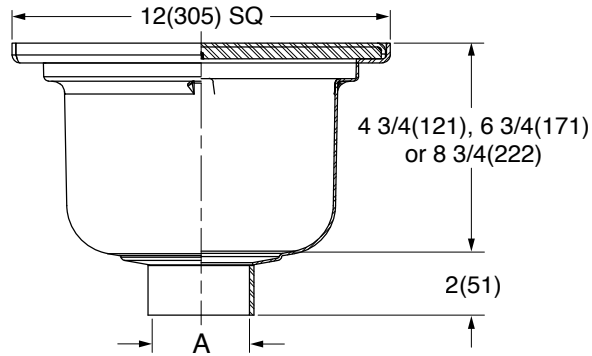
DIMENSIONS ARE SUBJECT TO MANUFACTURERS TOLERANCE AND CHANGE WITHOUT NOTICE

GENERAL PURPOSE FLOOR DRAIN

12"(305) SQUARE TOP



FREE AREA
 51 SQ IN
 (329 SQ CM)



A (Pipe Size) = 02(50), 03(75) or 04(100)

USDA ACCEPTED



ASME A112.6.3 &
 CSA B79
 Certified Light Duty
 Load Rating

4 3/4"(121) DEEP BODY	6 3/4"(171) DEEP BODY	8 3/4"(222) DEEP BODY	
Fig. <input type="checkbox"/> 9630BW -S	<input type="checkbox"/> 9631BW -S	<input type="checkbox"/> 9632BW -S	BUTTWELDED OUTLET ▲
Fig. <input type="checkbox"/> 9630T -S	<input type="checkbox"/> 9631T -S	<input type="checkbox"/> 9632T -S	THREADED OUTLET
Fig. <input type="checkbox"/> 9630Y -S	<input type="checkbox"/> 9631Y -S	<input type="checkbox"/> 9632Y -S	NO-HUB OUTLET

▲Schedule 40 Regularly Furnished

REGULARLY FURNISHED:
 14 Gauge Type 304 Stainless
 Steel Body and Loose Set Heel
 Proof Slotted Grate with No. 4
 Finish.

- VARIATIONS:**
- Anchor Flange -F
 - Flange & Flashing Clamp -FC
 - Sediment Bucket -B
 - Dome Bottom Strainer -DBS
 - Vandal Proof Grate -U
 - 1/2"(13) Trap Primer Connection -P050
 - USDA Compliant

OPTIONAL MATERIALS:
 Type 316 Stainless Steel -316

SUBJECT TO MANUFACTURING TOLERANCE AND CHANGE WITHOUT NOTICE.

NOTE: Dimensions shown in parentheses are in millimeters.

E	12-13-21	Added ASME and CSA numbers Revised Regularly Furnished Revised Variations, Added Note Added cUPC	KK	CL	WEIGHT POUNDS	VOLUME CUBIC FEET	FIGURE NUMBER 9630 -S - 9632 -S
D	6-9-2020		MW	CL			
C	5-17-18		TBW	CL			
B	4-24-17		TBW	CL			
REV.	DATE	DESCRIPTION	BY	CKD. BY			