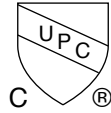


SPECIAL PURPOSE FLOOR DRAIN WITH SPECIAL DUTY RIM FLOW GRATE

10"(255) ROUND OR SQUARE TOP



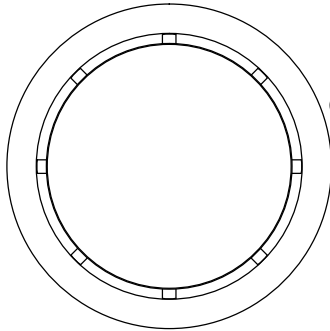
USDA ACCEPTED



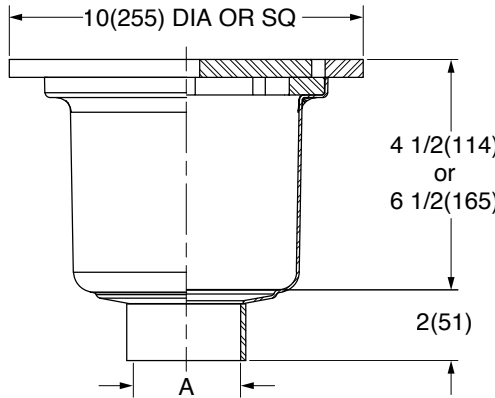
File No. 3663

ASME A112.6.3 &
 CSA B79
 Certified Special Duty
 Load Rating

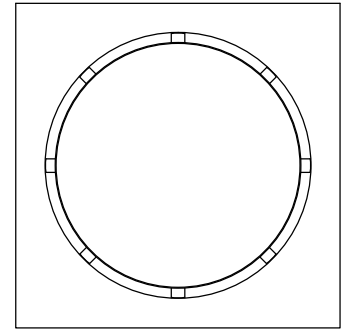
FREE AREA
 7.35 SQ IN
 (47.4 SQ CM)



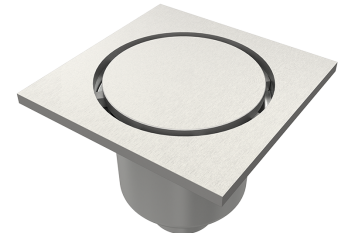
-RF... ROUND TOP



A (Pipe Size) = 02(50), 03(75) or 04(100)



-SRF... SQUARE TOP



ROUND TOP **SQUARE TOP**
 4 1/2"(114) Deep Body

- | | | | | |
|-------------------------------|------------------|--------------------------|-------------------|--|
| Fig. <input type="checkbox"/> | 9620BW -RF | <input type="checkbox"/> | 9620BW -SRF | BUTTWELD OUTLET (Schedule 40 Regularly Furnished) |
| Fig. <input type="checkbox"/> | 9620T -RF | <input type="checkbox"/> | 9620T -SRF | THREADED OUTLET |
| Fig. <input type="checkbox"/> | 9620Y -RF | <input type="checkbox"/> | 9620Y -SRF | NO-HUB OUTLET |

6 1/2"(165) Deep Body

- | | | | | |
|-------------------------------|------------------|--------------------------|-------------------|--|
| Fig. <input type="checkbox"/> | 9621BW -RF | <input type="checkbox"/> | 9621BW -SRF | BUTTWELD OUTLET (Schedule 40 Regularly Furnished) |
| Fig. <input type="checkbox"/> | 9621T -RF | <input type="checkbox"/> | 9621T -SRF | THREADED OUTLET |
| Fig. <input type="checkbox"/> | 9621Y -RF | <input type="checkbox"/> | 9621Y -SRF | NO-HUB OUTLET |

REGULARLY FURNISHED:
 14 Gauge Type 304 Stainless
 Steel Body and Special Duty
 Loose Set Rim Flow Grate
 with No. 4 Finish.

VARIATIONS:

- Anchor Flange -F
- Flange & Flashing Clamp -FC
- Sediment Bucket -B
- Dome Bottom Strainer -DBS
- Bell Trap Bucket -BT
- 1/2"(13) Trap Primer
 Connection -P050
- Finger Hole in Center of Grate
- USDA Compliant

OPTIONAL MATERIALS:

- Type 316 Stainless Steel -316

**SUBJECT TO MANUFACTURING TOLERANCE
 AND CHANGE WITHOUT NOTICE.**

NOTE: Dimensions shown in
 parentheses are in millimeters.

E	DRAWING NUMBER S9620-21-RF/9620-21-SRF	SCALE: NONE	DATE: 7-21-14	APPROVED BY: JM	CHECKED BY: CL	DRAWN BY: TBW	FIGURE NUMBER 9620 -RF / 9620 -SRF 9621 -RF / 9621 -SRF	DIMENSIONS ARE SUBJECT TO MANUFACTURERS TOLERANCE AND CHANGE WITHOUT NOTICE
REV.	DATE	DESCRIPTION	BY	CKD. BY	WEIGHT POUNDS	VOLUME CUBIC FEET	FIGURE NUMBER 9620 -RF / 9620 -SRF 9621 -RF / 9621 -SRF	