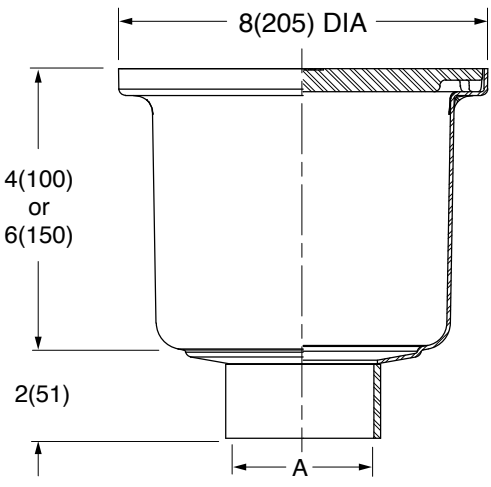


GENERAL PURPOSE FLOOR DRAIN FOR MEDIUM DUTY USE

8"(205) ROUND TOP



FREE AREA
17.5 SQ IN
(112.9 SQ CM)



A (Pipe Size) = 02(50), 03(75) or 04(100)

USDA ACCEPTED



ASME A112.6.3 &
CSA B79
Certified Medium Duty
Load Rating



- | | | |
|--------------------------------------|--------------------------------------|----------------------------------------------------------|
| 4"(100) DEEP | 6"(150) DEEP | |
| Fig. <input type="checkbox"/> 9614BW | Fig. <input type="checkbox"/> 9615BW | BUTTWELD OUTLET (Schedule 40 Regularly Furnished) |
| Fig. <input type="checkbox"/> 9614T | Fig. <input type="checkbox"/> 9615T | THREADED OUTLET |
| Fig. <input type="checkbox"/> 9614Y | Fig. <input type="checkbox"/> 9615Y | NO-HUB OUTLET |

REGULARLY FURNISHED:
14 Gauge Type 304 Stainless Steel Body and Loose Set Heel Proof Slotted Grate with No. 4 Finish.

- VARIATIONS:**
- Anchor Flange -F
 - Flange & Flashing Clamp -FC
 - Sediment Bucket -B
 - Vandal Proof Grate -U
 - Dome Bottom Strainer -DBS
 - 1/2"(13) Trap Primer/Connection -P050
 - USDA Compliant

OPTIONAL MATERIALS:
 Type 316 Stainless Steel -316

SUBJECT TO MANUFACTURING TOLERANCE AND CHANGE WITHOUT NOTICE.

NOTE: Dimensions shown in parentheses are in millimeters.

DRAWING NUMBER: **S9614-9615**
 SIZE: **A**
 SCALE: **NONE**
 DATE: **7-21-14**
 APPROVED BY: **JM**
 CHECKED BY: **CL**
 DRAWN BY: **TBW**
9614 - 9615
 FIGURE NUMBER

WE CAN ASSUME NO RESPONSIBILITY FOR USE OF SUPERSEDED OR VOID DATA

REV.	DATE	DESCRIPTION	BY	CKD. BY	WEIGHT POUNDS	VOLUME CUBIC FEET	FIGURE NUMBER 9614 - 9615
		Added ASME and CSA numbers Revised Regularly Furnished Revised Variations, Added Note Added cUPC	KK MW TBW TBW	CL CL CL CL			