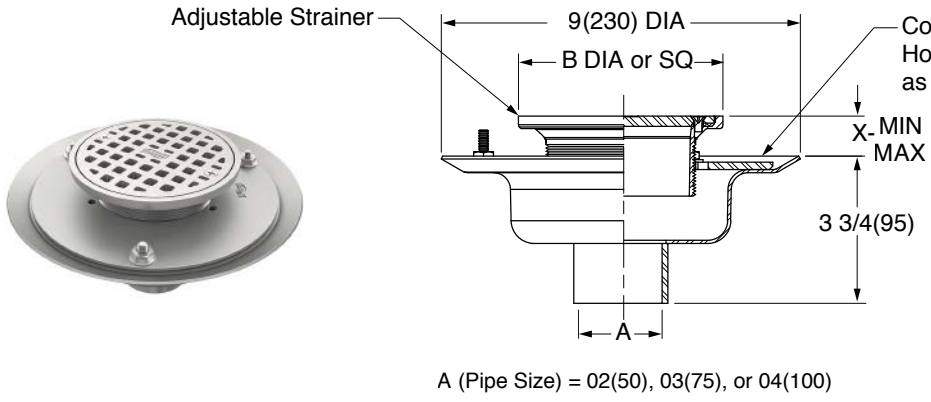
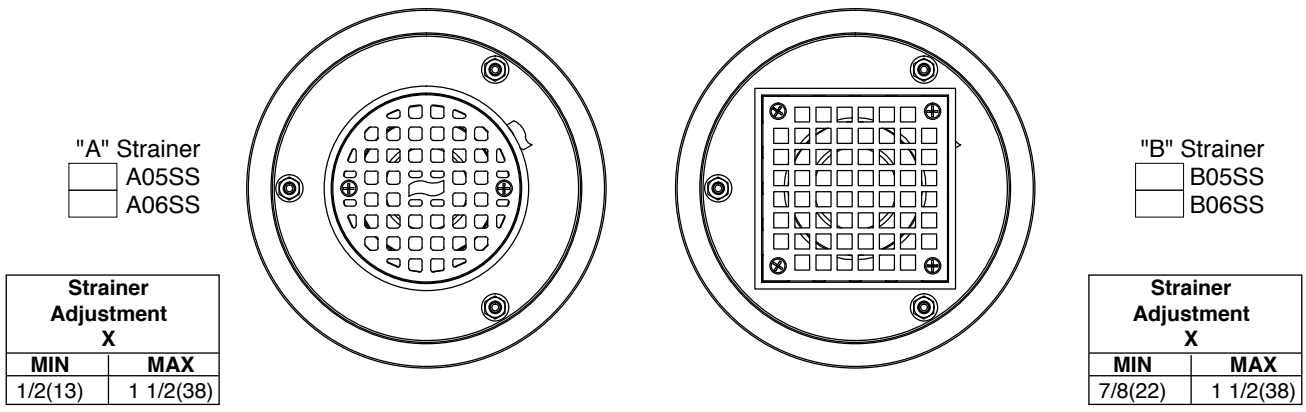


GENERAL PURPOSE FLOOR DRAIN WITH ADJUSTABLE STRAINER HEAD

DRAWING NUMBER: **S9600**
 SIZE: **A**
 SCALE: **NONE**
 DATE: **7-16-14**
 APPROVED BY: **JM**
 CHECKED BY: **CL**
 DRAWN BY: **TBW**

WE CAN ASSUME NO RESPONSIBILITY FOR USE OF SUPERSEDED OR VOID DATA

DIMENSIONS ARE SUBJECT TO MANUFACTURERS TOLERANCE AND CHANGE WITHOUT NOTICE



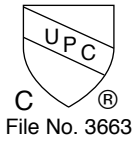
USDA ACCEPTED



A05SS Certified Heavy Duty
 A06SS Certified Medium Duty
 B05SS Certified Medium Duty
 B06SS Certified Medium Duty

- Fig. 9600BW BUTTWELD OUTLET▲
 - Fig. 9600T THREADED OUTLET
 - Fig. 9600Y NO-HUB OUTLET
- ▲Schedule 40 Regularly Furnished

Strainer Size B	Free Area SQ IN (SQ CM)	
	ROUND	SQUARE
05(125)	7(45)	6 1/2(42)
06(150)	9(58)	12 1/2(81)



REGULARLY FURNISHED:
 14 Gauge Type 304 Stainless Steel Body with Flashing Collar and Adjustable Cast Strainer Head (As Indicated) with No. 4 Finish.

- VARIATIONS:**
- Sediment Bucket -B
 - Vandal Proof Screws -U
 - Less Seepage Holes -LSH
 - 1/2"(13) Trap Primer Connection -P050
 - USDA Compliant

OPTIONAL MATERIALS:
 Type 316 Stainless Steel -316

SUBJECT TO MANUFACTURING TOLERANCE AND CHANGE WITHOUT NOTICE.

NOTE: Dimensions shown in parentheses are in millimeters.

9600

REV.	DATE	DESCRIPTION	BY	CKD. BY	WEIGHT POUNDS	VOLUME CUBIC FEET	FIGURE NUMBER
							9600