



JAY R. SMITH MFG. CO.
 MEMBER OF MORRIS GROUP INTERNATIONAL
 POST OFFICE BOX 3237
 MONTGOMERY, ALABAMA 36109-0237 (USA)
 TEL: 334-277-8520 FAX: 334-272-7396 www.jrsmith.com



LOCATION

DRAWING NUMBER
S7219-Y

SIZE
A

SCALE:
NONE

DATE:
12-19-89

APPROVED BY:
McD

CHECKED BY:
JM

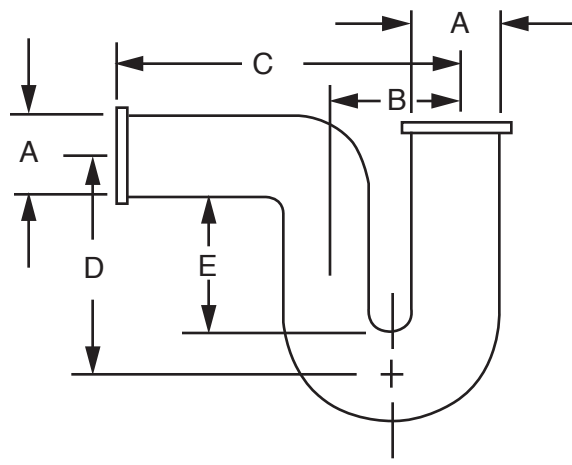
DRAWN BY:
EMB

7219-Y

FIGURE NUMBER

WE CAN ASSUME NO RESPONSIBILITY FOR USE OF SUPERSEDED OR VOID DATA

DEEP SEAL NO-HUB P-TRAP



7219Y.....NO-HUB Inlet and Outlet

A	B	C	D	E
2 (50)	4 (100)	7 1/2 (190)	7 (180)	5 (125)
3 (75)	5 (125)	9 (230)	7 (180)	4 (100)
4 (100)	6 (150)	10 1/2 (265)	8 (205)	4 (100)

REGULARLY FURNISHED:
 Duco Cast Iron Deep Seal No-Hub "P" Trap.

NOTE: Dimensions in parentheses are in millimeters.

REV.	DATE	DESCRIPTION	BY	CKD. BY	WEIGHT POUNDS	VOLUME CUBIC FEET	FIGURE NUMBER
							7219-Y