

K

SMITH® JAY R. SMITH MFG. CO.®
 MEMBER OF MORRIS GROUP INTERNATIONAL
 POST OFFICE BOX 3237
 MONTGOMERY, ALABAMA 36109-0237 (USA)
 TEL: 334-277-8520 FAX: 888-377-7818 www.jrsmith.com

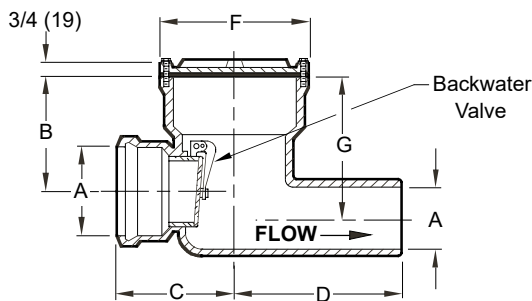


LOCATION

BACKWATER VALVES

SEWER VALVES

BOLTED COVER



THREADED COVER

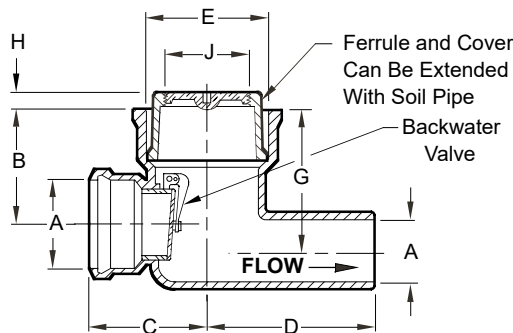


Fig. 7012S HUB INLET - SPIGOT OUTLET
 Fig. 7012Y NO-HUB INLET INLET & OUTLET

Fig. 7022S HUB INLET - SPIGOT OUTLET
 Fig. 7022Y NO-HUB INLET INLET & OUTLET

A* SIZE	B	C	D	E SIZE	F DIA	G	H	J SIZE
02 (50)	4 1/2 (115)	5 (125)	7 (180)	4 (100)	6 1/2 (165)	6 (150)	1 1/4 (32)	3 1/2 (89)
03 (80)	6 1/4 (160)	5 3/4 (145)	9 (230)	5 (125)	7 1/2 (190)	7 1/2 (190)	1 1/2 (38)	4 (100)
04 (100)	6 1/2 (165)	6 1/2 (165)	9 1/2 (240)	6 (150)	8 1/2 (215)	8 (205)	1 (25)	5 (125)
05 (125)	7 (180)	7 3/4 (195)	10 1/2 (265)	8 (180)	10 3/4 (275)	8 3/4 (220)	1 (25)	6 (150)
06 (150)	8 (205)	7 3/4 (195)	11 1/2 (290)	8 (180)	10 3/4 (275)	9 3/4 (250)	1 (25)	6 (150)
08 (200)	9 1/2 (240)	9 1/2 (240)	12 1/2 (320)	10 (255)	13 (330)	11 3/4 (300)	1 (25)	6 (150)

* Sized for Service Weight and/or NO-HUB

NOTE: B.W.V. flapper set at factory to hang in closed position. Pin can be moved to permit flapper to hang open 1/4" (6) to permit air circulation.

NOTE: 2-4" size furnished with Delrin Backed Neoprene flapper. All other sizes furnished with bronze flapper.

NOTE: These valves offer protection against backwater surges. Backflow is prevented when valve is not obstructed by debris or sludge. Use for gravity flow only, not for pressurized applications.

REGULARLY FURNISHED:

Duco Cast Iron Body with Bronze Backwater Valve. Cover as Indicated by Figure Number Selected.

OPTIONAL MATERIALS:

- Galvanized Cast Iron -G
- Stainless Steel (Fig. 7012 only) (Specify Fig. 9795)

Conforms to ASME A112.14.1

NOTE: Dimensions shown in parentheses are in millimeters.

DRAWING NUMBER
S7012

SIZE
A

SCALE:
NONE

DATE:
4-28-83

APPROVED BY:
SJM

CHECKED BY:
DT

DRAWN BY:
BS

7012/7022

FIGURE NUMBER

REV.	DATE	DESCRIPTION	BY	CKD. BY	WEIGHT POUNDS	VOLUME CUBIC FEET	FIGURE NUMBER 7012/7022
------	------	-------------	----	---------	---------------	-------------------	-----------------------------------

WE CAN ASSUME NO RESPONSIBILITY FOR USE OF SUPERSEDED OR VOID DATA

DIMENSIONS ARE SUBJECT TO MANUFACTURERS TOLERANCE AND CHANGE WITHOUT NOTICE