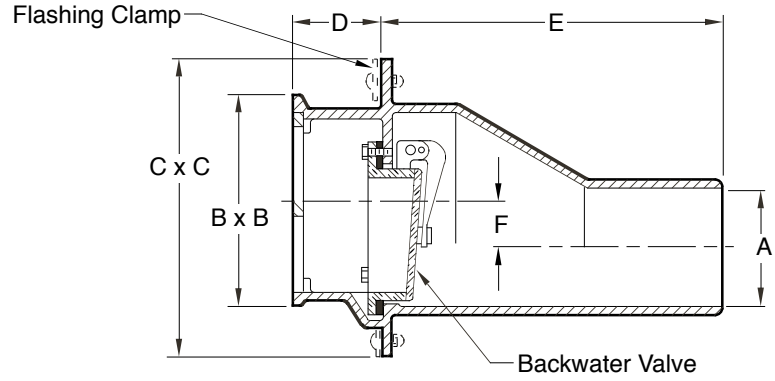


# BACKWATER VALVE

## PIT STYLE BACKWATER VALVE

**FUNCTION:** Used at the base of side walls in pits, where low elevation requires a vertical inlet grate and side outlet roughing. Backwater valve provides protection against backflow which could damage equipment in pit.



□ Fig. 7000S .....SPIGOT OUTLET

A PIPE SIZE	B x B	C x C	D	E	F	Free Area SQ. IN. (SQ CM)
*03 (75)	6 3/4(170) x 9 1/2(240)	10 1/4(260) x 12(305)	3 (76)	11 1/4 (285)	2 3/4 (70)	16 1/2 (106)
*04 (100)	6 3/4(170) x 9 1/2(240)	10 1/4(260) x 12(305)	3 (76)	11 1/4 (285)	2 1/4 (57)	16 1/2 (106)
05 (125) & 06 (150)	7 3/4(195) x 11(280)	9 3/4(250) x 13(330)	4 (100)	13 1/4 (335)	1 1/4 (32)	24 1/2 (158)
08 (200)	12 1/2(330) x 14 1/2(370)	17 1/4(440) x 19(485)	4 (100)	22 (560)	4 3/4 (120)	56 (361)

\*Sized for NO-HUB and/or Service Weight.

**NOTE:** B.W.V. flapper set at factory to hang in closed position. Pin can be moved to permit flapper to hang open 1/4" (6) to permit air circulation.

**NOTE:** 2-4" size furnished with Delrin Backed Neoprene flapper. All other sizes furnished with bronze flapper.

**REGULARLY FURNISHED:**  
 Duco Cast Iron Body with Backwater Valve and Cast Iron Secured Grate.

**VARIATIONS:**

- Flashing Clamp -C
- Less Backwater Valve -LBWV
- Service Weight Outlet -SW

**OPTIONAL MATERIALS:**

- Chrome Plated Face -CP
- Galvanized Cast Iron -G
- Nickel Bronze Face -NB
- Polished Bronze Face -PB
- Stainless Steel (Specify Fig. 9790)

**NOTE:** These valves offer protection against backwater surges. Backflow is prevented when valve is not obstructed by debris or sludge. Use for gravity flow only, not for pressurized applications.

**NOTE:** Dimensions shown in Parentheses are in millimeters.

7000

DRAWING NUMBER S7000

SIZE A

SCALE: NONE

DATE: 4-27-83

APPROVED BY: SJM

CHECKED BY: DT

DRAWN BY: BS

FIGURE NUMBER

H G F E	12-5-16 09/03/10 6-28-95 8-17-94	<b>Added Note</b> <b>Changed Free Area, Added Note</b> <b>Chg'd Reg Furn, added Metrics</b> <b>Revised</b>	TBW JJ EMB EMB	BW CL BS BS	WEIGHT POUNDS	VOLUME CUBIC FEET	FIGURE NUMBER  7000
REV.	DATE	DESCRIPTION	BY	CKD. BY			