

R



JAY R. SMITH MFG. CO.
 MEMBER OF MORRIS GROUP INTERNATIONAL
 POST OFFICE BOX 3237
 MONTGOMERY, ALABAMA 36109-0237 (USA)
 TEL: 334-277-8520 FAX: 334-272-7396 www.jrsmith.com

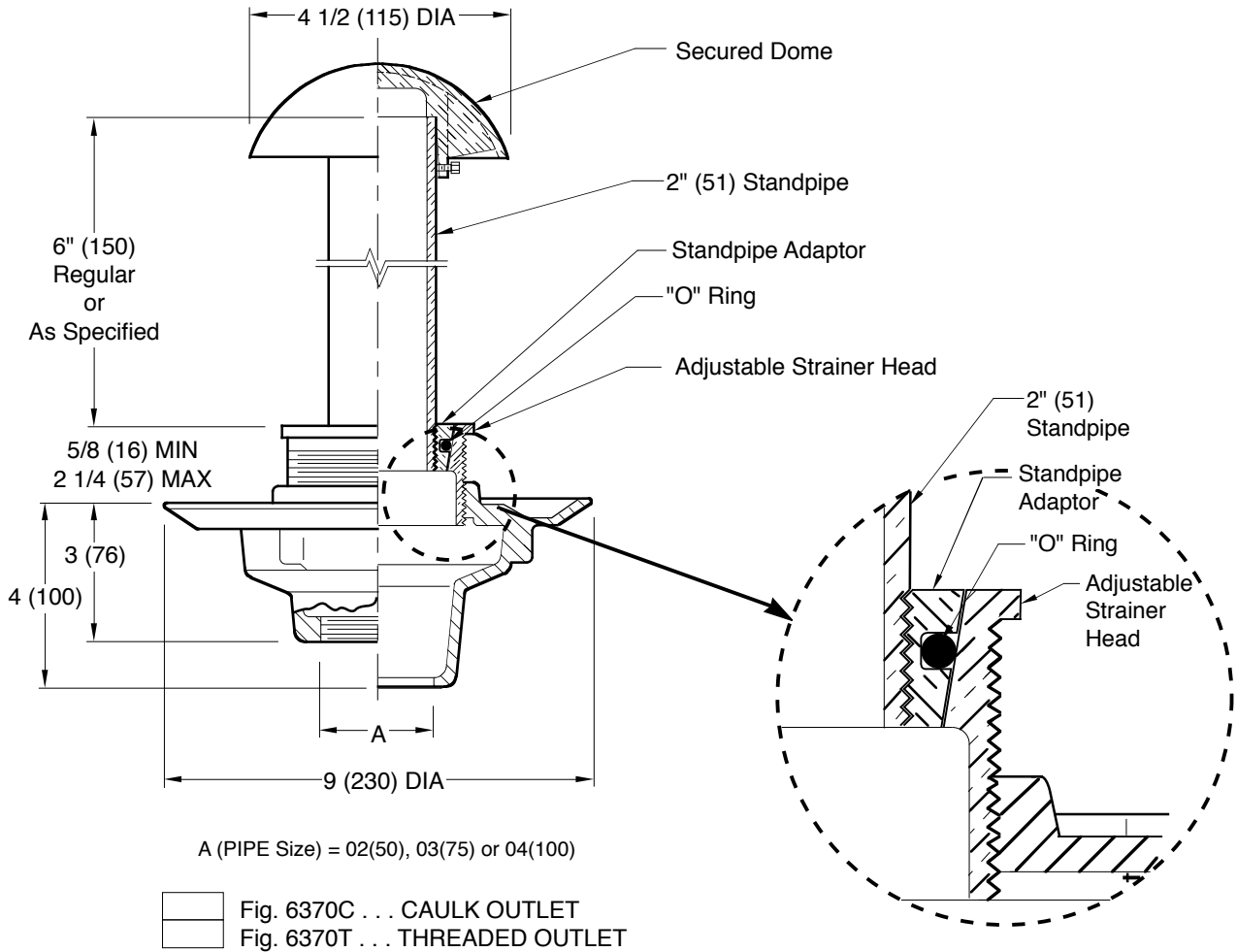


MEMBER OF:

LOCATION

OVERFLOW DRAIN FOR DECORATIVE PONDS

FUNCTION: Fixed standpipe of required height insures a constant water level with overflow protective feature. Used in all types of decorative ponds.



A (PIPE Size) = 02(50), 03(75) or 04(100)

Fig. 6370C . . . CAULK OUTLET
 Fig. 6370T . . . THREADED OUTLET

REGULARLY FURNISHED:

Duco Cast Iron Body with Flashing Collar, Chrome Plated Bronze Dome and 6" (150) High Standpipe.

VARIATIONS:

Side Outlet Body (Fig. 6372)
 Variable Standpipe Height (Specify)
 Y NO-HUB Outlet
 Flashing Clamp -C

OPTIONAL MATERIALS:

Galvanized Body -G
 Nickel Bronze Top -NB
 Polished Bronze Top -PB

NOTE: This product does not conform to or meet the requirements of ASME Standard No. A112.19.8-2007, titled "Suction Fittings for Use in Swimming Pools, Wading Pools, Spas, and Hot Tubs." This product shall not be used in any installation in swimming pools, wading pools, spas, hot tubs as well as other aquatic facilities. Due to the potential endangerment from arduous and forceful suction, entrapment or entanglement regardless of whether it is hair, head, limbs or other body parts, this product is prohibited from installation in these applications.

NOTE: Dimensions shown in parentheses are in millimeters.

DRAWING NUMBER
S6370SIZE
ASCALE:
NONEDATE:
12-13-68APPROVED BY:
TDCHECKED BY:
WZDRAWN BY:
BH

6370

FIGURE NUMBER

REV.	DATE	DESCRIPTION	BY	CKD. BY
R	11/20/08	Added ASME Note	JJ	CL
Q	6-04-08	Revised Dwg.	RN	CL
P	2-23-01	Revised Dwg.	RN	AM

WEIGHT
POUNDSVOLUME
CUBIC FEET

FIGURE NUMBER

6370



WARNING: Cancer and Reproductive Harm - www.P65Warnings.ca.gov