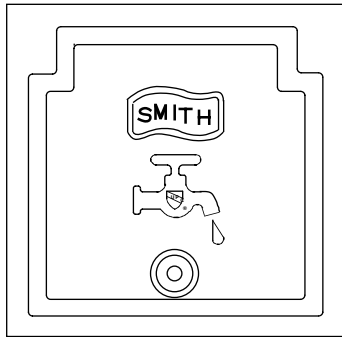


NON-FREEZE GROUND HYDRANT

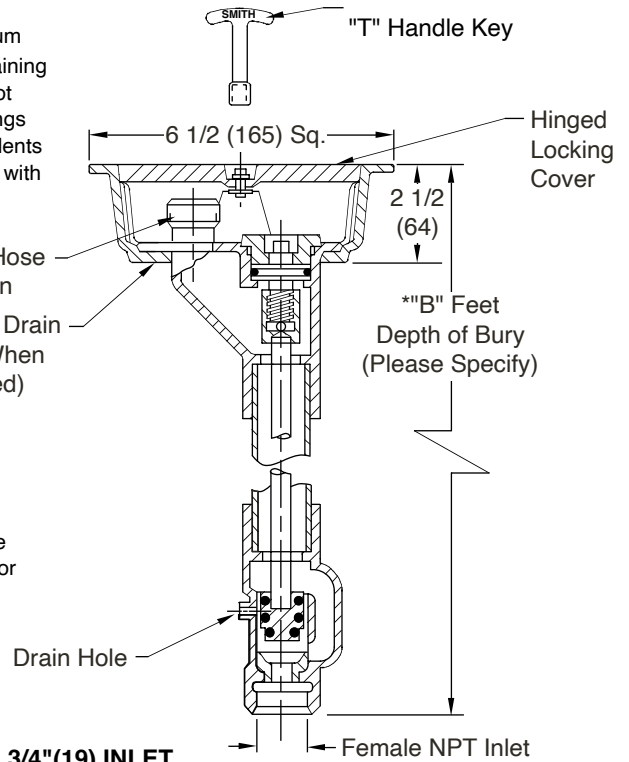
3/4" (19) OR 1" (25) CONNECTIONS

FUNCTION: A Hydrant with a hinged covered box, for positive protection against freezing when buried outside or in unheated areas and the closing valve is located below the frost line. When hydrant is shut off, water is drained from the casing through the drain hole in the valve housing. The locking cover prevents unauthorized use.



FRONT VIEW

NOTE: Addition of vacuum breaker will not allow draining of the casing. Smith is not responsible for any casings that burst or related incidents if the hydrant is supplied with a vacuum breaker.



- NOTES:**
1. Recommended Box-out 5 3/4 (145) x 5 3/4(145).
 2. All Jay R. Smith hydrants are manufactured with "NO-LEAD" brazing rings and USDA approved lubricants.
 3. The AB1953, California Lead Law, and NSF/ANSI Standard 61-2008 - Drinking Water System Components are not applicable to Jay R. Smith hydrants as they do not convey/dispense water for human consumption through drinking or cooking.
 4. Dimensions shown in parentheses are in millimeters.
 5. **FOR IRRIGATION PURPOSES ONLY.**
 6. Removal of drain hole eliminates the non-freeze feature and qualifies this hydrant as warm climate hydrant only.

- Fig. 5810. . . 3/4"(19) INLET
- Fig. 5811. . . 1"(25) INLET

REGULARLY FURNISHED:
 Bronze Non-Freeze Ground Hydrant with "T" Handle Key, and Bronze Hydrant Box. Inlet Size Furnished as Indicated by Figure Number Selected.

- VARIATIONS:**
- 1"(25) Hose Connection Adaptor -HC1
 - Less Drain Hole -LD (Note 6)
 - 1/8"(3) NPT Drain Hole in Box -N
 - 1/8"(3) NPT Drain Hole in Valve Housing -NV
 - Mild Climate -SAP
 - "Water" Cast on Cover -W

OPTIONAL MATERIALS:

- Nickel Bronze Box -NB
- Polished Bronze Box -PB

B(Depth of Bury) = 02(610), 03(915), 04(1220), 05(1525), 06(1830), 07(2135) or 08(2438) Feet
 *B = 9 1/2"(240) When Specified 5810-SAP
 *B = 9 1/2"(240) When Specified 5811-SAP

TECHNICAL DATA

Non-Freeze Ground Hydrants are supplied with a special valve housing which prevents freezing of hydrant during non-use periods. The valve housing must be installed below the frost line which prevails for the area of installation. The valve housing has a drain hole which drains the casing when the hydrant is shut off. In effect, there is no water in the casing during non-use periods. Since water from the drain hole is normally allowed to drain into the ground, the valve housing should be set in a bed of gravel. Water drained from the casing can then seep into the ground.

Some locations which require Non-Freeze Ground Hydrants cannot tolerate water draining from the drain hole. Examples are parking garages, plazas and roof decks used for recreational purposes. Often in these types of applications the valve housing will protrude into a finished area which is not subject to freezing temperatures. To eliminate the problem of water drainage in this type of installation, Smith can supply a tapped drain hole in the hydrant box and a tapped drain hole in the valve housing. Through these tapped drain holes, water accumulation in the box and the water from the valve housing drain hole can be piped to a suitable drain.

DRAWING NUMBER: S5810
 SIZE: A
 SCALE: NONE
 DATE: 12-8-88
 APPROVED BY:
 CHECKED BY:
 DRAWN BY: WAS
 FIGURE NUMBER: 5810,5811
 DIMENSIONS ARE SUBJECT TO MANUFACTURERS TOLERANCE AND CHANGE WITHOUT NOTICE

| | | | | | | | |
|------------------|--|--|-------------------------|----------------------|------------------|----------------------|--|
| Q P N M | 10-26-20 2-4-13 6-13-11 5-17-11 | Revised Notes Revised Notes Revised Note Added Note | MW TBW TBW TBW | CL CL CL CL | WEIGHT POUNDS | VOLUME CUBIC FEET | FIGURE NUMBER 5810,5811 |
| REV. | DATE | DESCRIPTION | BY | CKD. BY | | | |



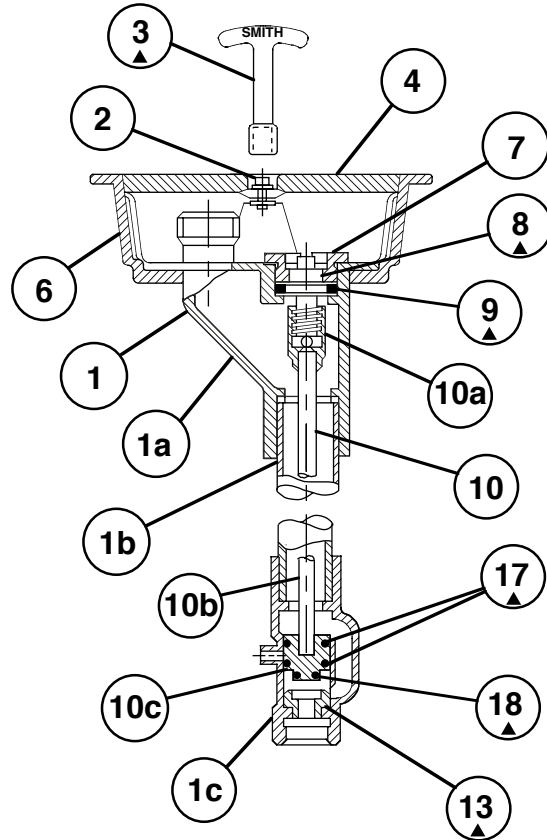
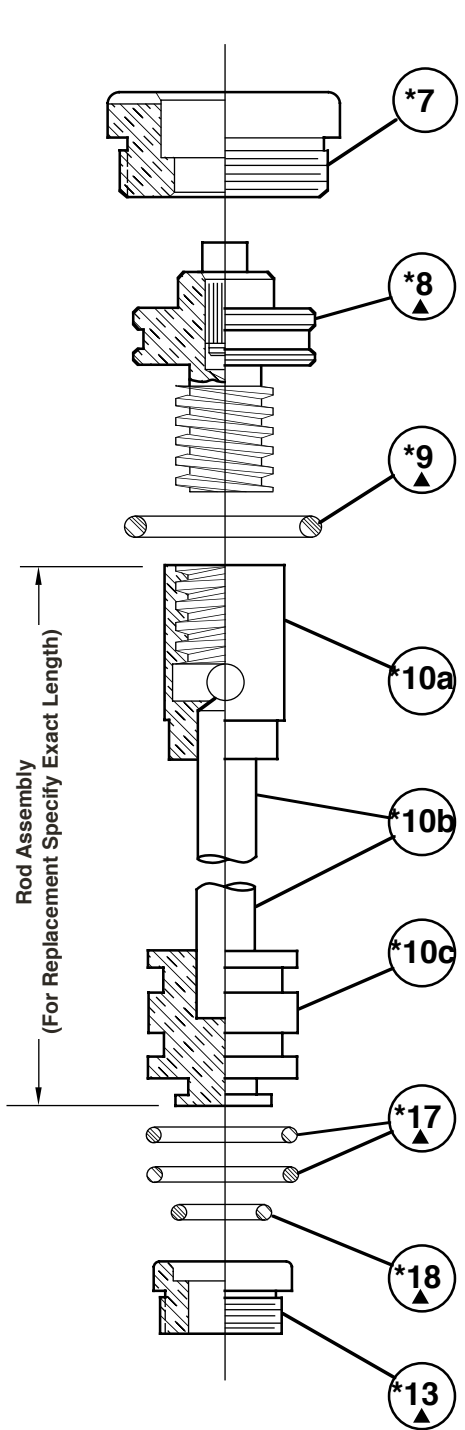
JAY R. SMITH MFG. CO.
 MEMBER OF MORRIS GROUP INTERNATIONAL
 POST OFFICE BOX 3237
 MONTGOMERY, ALABAMA 36109-0237 (USA)
 TEL: 334-277-8520 FAX: 334-272-7396 www.jrsmith.com



MEMBER OF:

LOCATION

PARTS LIST WITH MAINTENANCE INSTRUCTIONS



Rod Assembly
 (For Replacement Specify Exact Length)

| REPLACEMENT PARTS LIST - SPECIFY FIGURE NO. WHEN ORDERING | | | |
|---|------------------------------|-----|--------------------------|
| No. | DESCRIPTION | No. | DESCRIPTION |
| 1 | Head/Casing Assembly | 8 | Operating Screw |
| 1a | Head | 9 | Operating Screw "O" Ring |
| 1b | Casing | 10 | Operating Rod Assembly |
| 1c | Valve Housing | 10a | Coupling |
| 2 | Locking Device | 10b | Rod |
| 3 | Key | 10c | Plunger |
| 4 | Cover | 13 | Removable Seat |
| 5 | Hydrant Cover Hinge Pins (2) | 17 | Plunger "O" Ring |
| 6 | Box | 18 | Plunger "O" Ring |
| 7 | Face Nut | | |

▲ THESE REPLACEMENT PARTS AVAILABLE IN HPRK-41

MAINTENANCE INSTRUCTIONS

1. Shut off water supply.
2. Remove face nut.
3. Pull stem out for complete access to all working parts.
4. Check all working parts for replacement.
5. Replace complete stem assembly and face nut.

*These parts are accessible from face of hydrant by removing face nut.

DRAWING NUMBER
S5810BS

SIZE
A

SCALE:
NONE

DATE:
1-23-85

APPROVED BY:
TD

CHECKED BY:
TD

DRAWN BY:
VGD

FIGURE NUMBER
5810, 5811BS

| REV. | DATE | DESCRIPTION | BY | CKD. BY |
|------|---------|------------------|-----|---------|
| A | 6-28-93 | Submittal Update | EMB | CL |

| | | |
|------------------|----------------------|------------------------------------|
| WEIGHT POUNDS | VOLUME CUBIC FEET | FIGURE NUMBER 5810, 5811 |
|------------------|----------------------|------------------------------------|