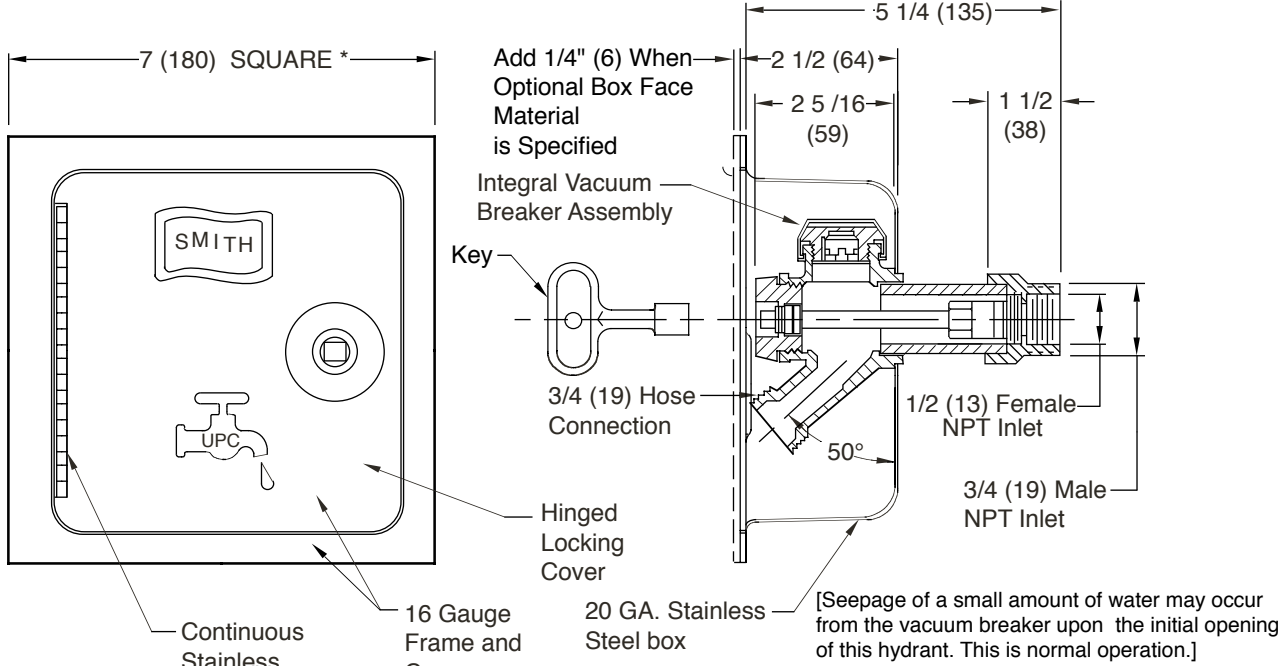


"QUARTERHORSE"- 1/4 TURN WALL HYDRANT WITH WARM CLIMATE HYDRANT

INTEGRAL VACUUM BREAKER AND STAINLESS STEEL BOX BOX TYPE WITH CONCEALED HOSE CONNECTION

FUNCTION: Provides a concealed hose connection with integral vacuum breaker. For installation in exterior or interior walls where there is no danger of freezing. The stainless steel recessed box conceals the nozzle and operating mechanism. The locking cover prevents unauthorized use.

1/4 Turn of the Key Allows Full Flow to Be Obtained



[Seepage of a small amount of water may occur from the vacuum breaker upon the initial opening of this hydrant. This is normal operation.]

Installer is responsible for providing a 100% watertight positive seal at the hydrant to box interface and hydrant to wall interface. Seal all interior joints, seams, gasket seams/closures including around the hydrant box flange with an appropriate sealant recommended by a sealant manufacturer. NOTE: Jay R. Smith does not warrant the performance or life expectancy of the sealant material.

□ FIG. 5509QT-SAP

REGULARLY FURNISHED:

Bronze Nickel Plated Quarter Turn Hydrant with Hose Connection, Integral Vacuum Breaker, "T" Handle Key, and Stainless Steel Box with Full 180° Cover Opening.

VARIATIONS:

- Cylinder -CL
- 1"(25) Hose Connection -HC1
- 1"(25) Male NPT Inlet Connection -IC1
- "Water" on Cover-W

OPTIONAL MATERIALS:

- Nickel Bronze Box Face -NB
- Polished Bronze Box Face -PB
- Rough Bronze Box Face -RB

** Add 3/4" (19) to Overall Length When Specified

- NOTES:**
- * 1. Recommended wall opening 6"(150) x 6"(150). Hydrant shall be in the vertical position only, the connection must be on the bottom.
 2. All Jay R. Smith hydrants are manufactured with "NO-LEAD" brazing rings, and USDA approved lubricants.
 3. When an Optional Box Face Material is Specified a Concealed Hinge will be Provided, also Add 1/4"(6) to Flange Thickness.
 4. The AB1953, California Lead Law, and NSF/ANSI Standard 61-2008 - Drinking Water System Components are not applicable to Jay R. Smith hydrants as they do not convey/dispense water for human consumption through drinking or cooking.
 5. Dimensions shown in parentheses are in millimeters.
 6. **FOR IRRIGATION PURPOSES ONLY.**
 7. For the hydrant to drain properly and provide non-freeze protection when used with a hose, the **Hose must be removed** from the nozzle after each use.

PATENTED

5509QT-SAP

DIMENSIONS ARE SUBJECT TO MANUFACTURERS TOLERANCE AND CHANGE WITHOUT NOTICE

DRAWING NUMBER
S5509QT-SAP

SIZE
A

SCALE:
NONE

DATE:
12-20-90

APPROVED BY:
CS

CHECKED BY:
JCS

DRAWN BY:
CMB

| | | | | | | | |
|----------|---------|---------------|------------|-----------|--------|------------|-------------------|
| S | 3-26-19 | Added Note | MW | CR | WEIGHT | VOLUME | FIGURE NUMBER |
| R | 7-19-16 | Added Note | TBW | BW | POUNDS | CUBIC FEET | 5509QT-SAP |
| Q | 1-31-13 | Revised Notes | TBW | CL | | | |
| P | 10-7-09 | Revised Notes | RN | CL | | | |
| REV. | DATE | DESCRIPTION | BY | CKD. BY | | | |



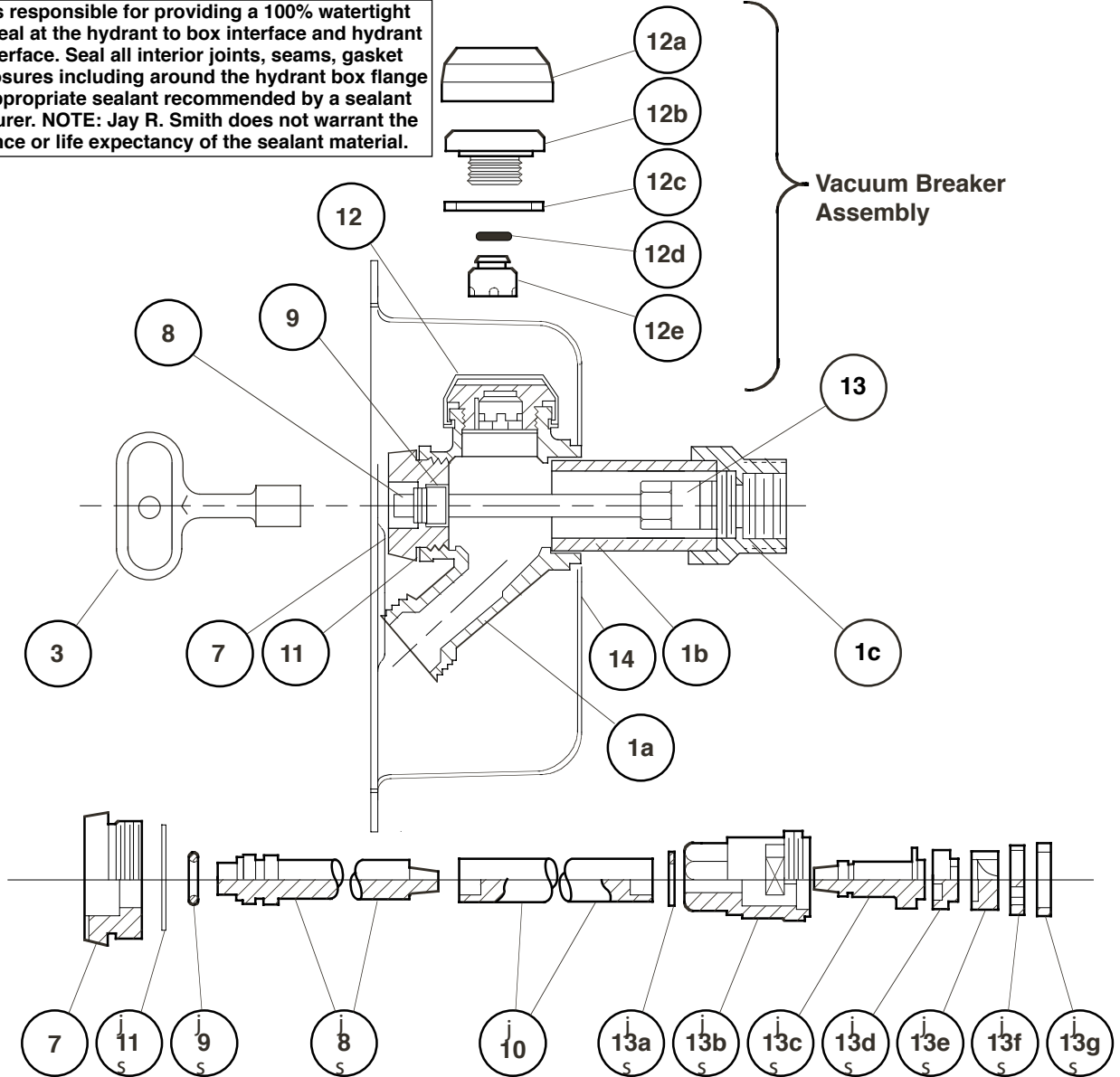
JAY R. SMITH MFG. CO.
 MEMBER OF MORRIS GROUP INTERNATIONAL
 POST OFFICE BOX 3237
 MONTGOMERY, ALABAMA 36109-0237 (USA)
 TEL: 334-277-8520 FAX: 334-272-7396 www.jrsmith.com



LOCATION

HYDRANT PARTS LIST

Installer is responsible for providing a 100% watertight positive seal at the hydrant to box interface and hydrant to wall interface. Seal all interior joints, seams, gasket seams/closures including around the hydrant box flange with an appropriate sealant recommended by a sealant manufacturer. NOTE: Jay R. Smith does not warrant the performance or life expectancy of the sealant material.



| HYDRANT PARTS LIST | | | |
|--------------------|----------------------|-----|-------------------------|
| NO. | DESCRIPTION | NO. | DESCRIPTION |
| 1 | Head/Casing Assembly | 10 | Operator Rod |
| 1a | Head | 11 | Face Nut Washer |
| 1b | Casing | 12 | Vacuum Breaker Assembly |
| 1c | Valve Housing | 12a | VB Cap |
| 3 | Key | 12b | VB Body |
| 7 | Face Nut | 12c | VB Washer |
| 8 | Actuator Shaft | 12d | VB "O" Ring |
| 9 | Actuator "O" Ring | 12e | VB Piston |
| | | 13 | Valve Body Assembly |
| | | 13a | Retaining Ring |
| | | 13b | Valve Body |
| | | 13c | Valve Actuator |
| | | 13d | Nylon Thrust Washer |
| | | 13e | Rotating Ceramic Disc |
| | | 13f | Fixed Ceramic Disc |
| | | 13g | Silicon Rubber Seal |
| | | 14 | Backer Plate w/Screws |

^s These Replacement Parts Available in HPRK-7

^j These Parts Accessible from Face of Hydrant by Removing Face Nut.

| | | | | | | | |
|------|----------|----------------------|-----|---------|------------------|----------------------|---------------------------------------|
| D | 7-19-16 | Added Note | TBW | BW | WEIGHT POUNDS | VOLUME CUBIC FEET | FIGURE NUMBER 5509QT-SAP-BS |
| C | 11-12-91 | Update Figure | TWK | BS | | | |
| B | 10-25-91 | Update Figure Number | TWK | JCS | | | |
| REV. | DATE | DESCRIPTION | BY | CKD. BY | | | |

DRAWING NUMBER
S5509QTSAPBS

SIZE
A

SCALE:
NONE

DATE:
12-28-90

APPROVED BY:

CHECKED BY:

DRAWN BY:
EMB

FIGURE NUMBER
5509QT-SAP-BS

WE CAN ASSUME NO RESPONSIBILITY FOR USE OF SUPERSEDED OR VOID DATA

DIMENSIONS ARE SUBJECT TO MANUFACTURERS TOLERANCE AND CHANGE WITHOUT NOTICE