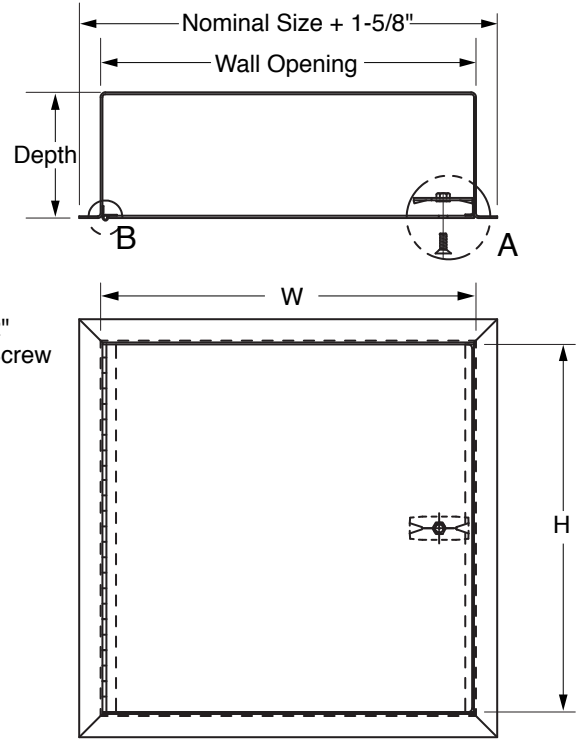
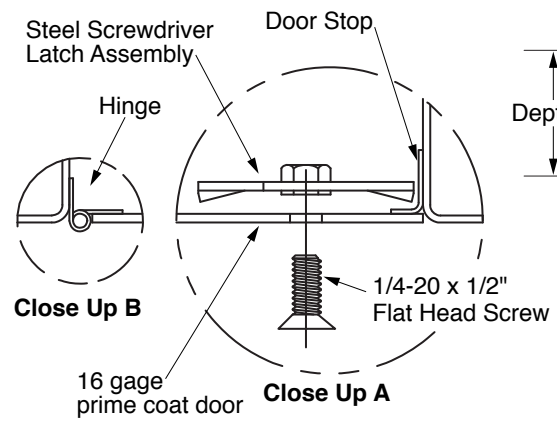


# VALVE BOX



**REGULARLY FURNISHED:**  
 Valve boxes are engineered to provide access to all types of valves and controls which are concealed in the wall. 4783 Series Valve Boxes are fully enclosed and feature rounded safety corners. Door and frame are fabricated from 16 gage galvanized steel with a prime coat finish. Frame is a one piece construction 1" wide and produces perfect concealment of the rough wall openings. Wall frame is provided with 1/4" mounting holes for fastening within the furred spaces allowing faster installation and giving maximum clearance. Hinge is a concealed continuous piano hinge. Latch is screwdriver operated. Finish is a prime coat suitable for painting.

**GUIDE SPECIFICATION:**  
 Provide 4783 Series, Valve Box (specify options). Access door and frame shall be fabricated from 16 gage, galvanized steel with a prime coat finish. The door shall have rounded safety corners and a concealed continuous piano hinge. Frame shall be one piece construction with no miters or welds on the face. Latch shall be screwdriver operated. Valve box shall be fully enclosed with 16 gage, galvanized steel with a prime coat finish. Finish shall be a prime coat suitable for painting.

| STANDARD AVAILABLE SIZES             |                                   |                   |       |           |
|--------------------------------------|-----------------------------------|-------------------|-------|-----------|
| Special sizes available upon request |                                   |                   |       |           |
|                                      | NOMINAL DOOR SIZE (W X H X Depth) | WALL OPENING      | LATCH | WEIGHT    |
|                                      | 4783 8" x 8" x 4"                 | 8-1/2" x 8-1/2"   | 1     | 10.0 lbs. |
|                                      | 4783 12" x 12" x 4"               | 12-1/2" x 12-1/2" | 1     | 18.0 lbs. |
|                                      | 4783 12" x 12" x 6"               | 12-1/2" x 12-1/2" | 1     | 20.0 lbs. |
|                                      | 4783 14" x 14" x 4"               | 14-1/2" x 14-1/2" | 1     | 26.0 lbs. |
|                                      | 4783 14" x 14" x 6"               | 14-1/2" x 14-1/2" | 1     | 28.0 lbs. |
|                                      | 4783 16" x 16" x 4"               | 16-1/2" x 16-1/2" | 1     | 32.0 lbs. |
|                                      | 4783 16" x 16" x 6"               | 16-1/2" x 16-1/2" | 1     | 34.0 lbs. |

- VARIATIONS:**
- Allen Key Latch -AKL
  - Cylinder Lock -CL
  - Stainless Steel Construction -SS
  - Type 304 No. 4 Satin Finish
  - T Handle -TH

DRAWING NUMBER: S4783  
 SIZE: A  
 SCALE: NONE  
 DATE: 3-18-15  
 APPROVED BY: SJM  
 CHECKED BY: JM  
 DRAWN BY: TBW  
 DIMENSIONS ARE SUBJECT TO MANUFACTURERS TOLERANCE AND CHANGE WITHOUT NOTICE  
 WE CAN ASSUME NO RESPONSIBILITY FOR USE OF SUPERSEDED OR VOID DATA

# 4783

|               |      |             |               |     |         |               |                   |               |
|---------------|------|-------------|---------------|-----|---------|---------------|-------------------|---------------|
| FIGURE NUMBER | A    | 6-18-15     | Revised Table | TBW | SJM     | WEIGHT POUNDS | VOLUME CUBIC FEET | FIGURE NUMBER |
| REV.          | DATE | DESCRIPTION |               | BY  | CKD. BY |               |                   | <b>4783</b>   |