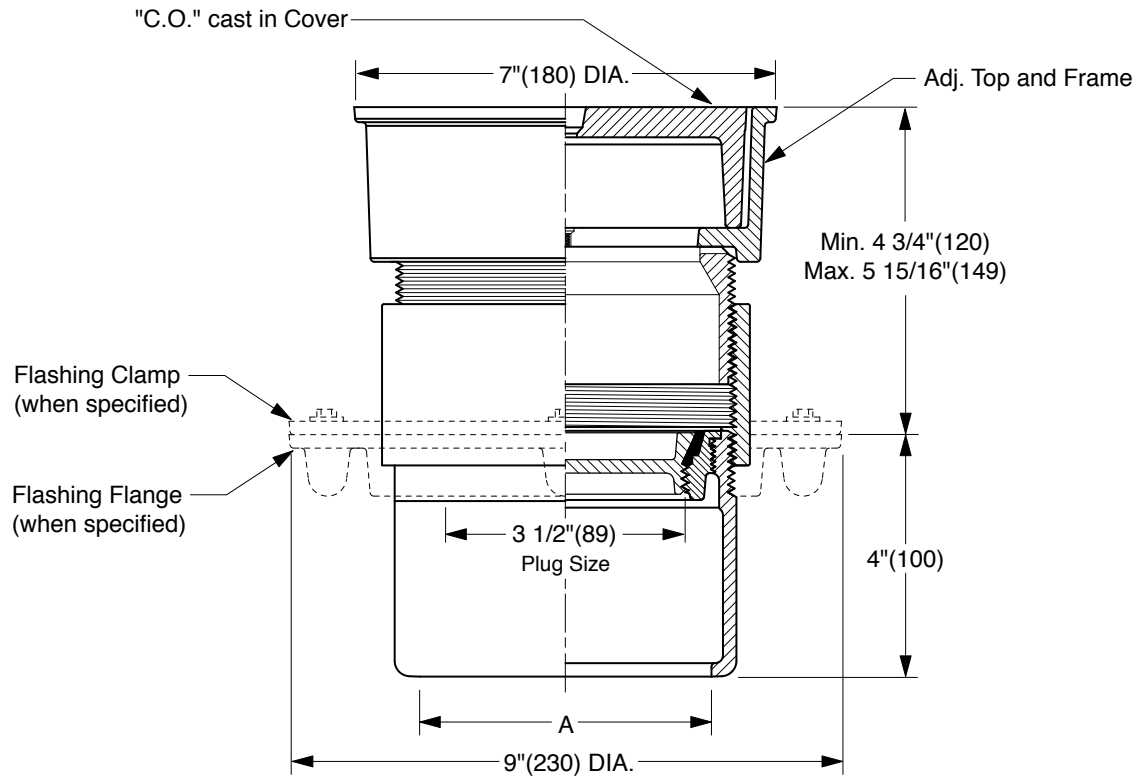


FLOOR CLEANOUTS WITH "TWIS-TO-FLOOR®" ADJUSTABLE TOPS FOR UNFINISHED AREAS

ROUND CAST IRON TOP - TRACTOR COVER

FUNCTION: Used in unfinished areas where a loose set, non-tilt tractor cover is desired. Will withstand heavy load traffic.



TWIS-TO-FLOOR® ADJUSTMENT

INSIDE CAULK OUTLET

"A" (Pipe Size) = 02(50), 03(75) or 04(100)

- Fig. 4245C.....Gasket Seal - ABS Plug
- Fig. 4246C.....Gasket Seal - Bronze Plug
- Fig. 4248C.....Taper Thread - Bronze Plug
- Fig. 4249C.....Taper Thread - ABS Plug

(Twis-to-Floor® design shown with gasketed plug.)

NOTE: Dimensions shown in parentheses are in millimeters.

REGULARLY FURNISHED:

Duco Cast Iron Cleanout with Round Adjustable Scoriated Cast Iron Top with Non-Tilt Tractor Cover. Closure Plug Type as Indicated by Figure Number Selected.

VARIATIONS:

- Center Securing Screw -CSS
- Vandal Proof Center Securing Screw -U
- Flashing Flange -F
- Flange with Flashing Clamp -F-C

OPTIONAL MATERIALS:

- Galvanized Cast Iron -G
- Ductile Iron Cover -M
- Nickel Bronze Top -NB
- Polished Bronze Top -PB

DRAWING NUMBER S4245
SIZE A
SCALE: NONE
DATE: 2-16-70
APPROVED BY: JM
CHECKED BY: BH
DRAWN BY: RK
4245 SERIES
FIGURE NUMBER

WE CAN ASSUME NO RESPONSIBILITY FOR USE OF SUPERSEDED OR VOID DATA
DIMENSIONS ARE SUBJECT TO MANUFACTURERS TOLERANCE AND CHANGE WITHOUT NOTICE

M	07/29/02	Corrected Clamp & Flange view	JJ	CL	WEIGHT POUNDS	VOLUME CUBIC FEET	FIGURE NUMBER
L	10/31/00	New design	JJ	BS			4245 SERIES
REV.	DATE	DESCRIPTION	BY	CKD. BY			