

FLOOR CLEANOUTS AND ACCESSORIES

400 Series

TAG _____

Adjustable Floor Cleanout for Non-Membrane Floors, Series 410

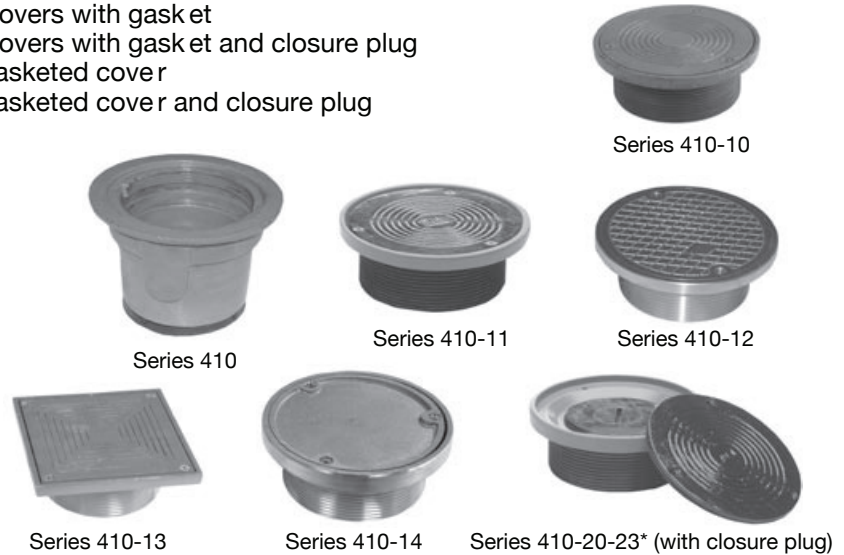
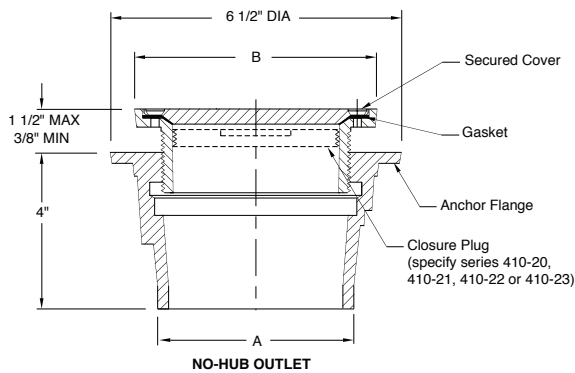
Product Description: Designed for use in non-membrane floor areas. Complete with cast iron body coated to protect against corrosion, an adjustable cleanout and a Scoriated gasketed cover.

Features and Benefits, Body:

- Designed for non-membrane floors
- Cast iron body coated to protect against corrosion
- Push-on (service weight and extra heavy) and no-hub outlets available in 2", 3" and 4" pipe sizes

Features and Benefits, Tops:

- Round and square nickel bronze secured solid covers with gasket
- Round and square nickel bronze secured solid covers with gasket and closure plug
- Round cast iron and cast iron with ductile iron gasketed cover
- Round cast iron and cast iron with ductile iron gasketed cover and closure plug
- 4" NPSM straight threaded shank on tops



Series Number	Description	Outlet Size-"A"	Outlet Type
410-L02	Adjustable Cleanout, Body Only	2"	Push-On, Service Weight or No-Hub CI Pipe
410-L03	Adjustable Cleanout, Body Only	3"	Push-On, Service Weight or No-Hub CI Pipe
410-L04	Adjustable Cleanout, Body Only	4"	Push-On, Service Weight or No-Hub CI Pipe
410-LXH02	Adjustable Cleanout, Body Only	2"	Push-On, Extra Heavy Weight CI or PVC Pipe
410-LXH03	Adjustable Cleanout, Body Only	3"	Push-On, Extra Heavy Weight CI or PVC Pipe
410-LXH04	Adjustable Cleanout, Body Only	4"	Push-On, Extra Heavy Weight CI or PVC Pipe
410-Y02	Adjustable Cleanout, Body Only	2"	No-Hub
410-Y03	Adjustable Cleanout, Body Only	3"	No-Hub
410-Y04	Adjustable Cleanout, Body Only	4"	No-Hub
Series Number	Description	Top Size-"B"	Pipe Size
410-10	Adj. Round Cast Iron Solid Cover (Medium Duty)	5-3/4"	4" NPSM Straight Threaded Shank
410-11	Adj. Round CI w/Ductile Iron Solid Cover (Heavy Duty)	5-3/4"	4" NPSM Straight Threaded Shank
410-12	Adj. Round Nickel Bronze Solid Cover (Medium Duty)	6"	4" NPSM Straight Threaded Shank
410-13	Adj. Square Nickel Bronze Solid Cover (Medium Duty)	5-3/4"	4" NPSM Straight Threaded Shank
410-14	Adj. Round NB Solid Cover, Tile Recess (Medium Duty)	5-3/4"	4" NPSM Straight Threaded Shank
410-20	Adj. Round C.I. Solid Cover, w/Closure Plug (Med. Duty)	5-3/4"	4" NPSM Straight Threaded Shank
410-21	Adj. Round C.I. w/D.I. Solid Cover w/Closure Plug (Hvy. Duty)	6"	4" NPSM Straight Threaded Shank
410-22	Adj. Round NB Solid Cover w/Closure Plug (Med. Duty)	5-3/4"	4" NPSM Straight Threaded Shank
410-23	Adj. Square NB Solid Cover w/Closure Plug (Med. Duty)	5-3/4"	4" NPSM Straight Threaded Shank

NOTE: Dimensional data is subject to manufacturing tolerances and change without notice.

*To order with closure plug see 410-20, 21, 22, 23



A Product of:
JAY R. SMITH MFG. CO.
DIVISION OF SMITH INDUSTRIES, INC.
www.jrsmith.com

WARNING: Cancer and Reproductive Harm - www.P65Warnings.ca.gov

Series 410
 SPM 1013
 11/14