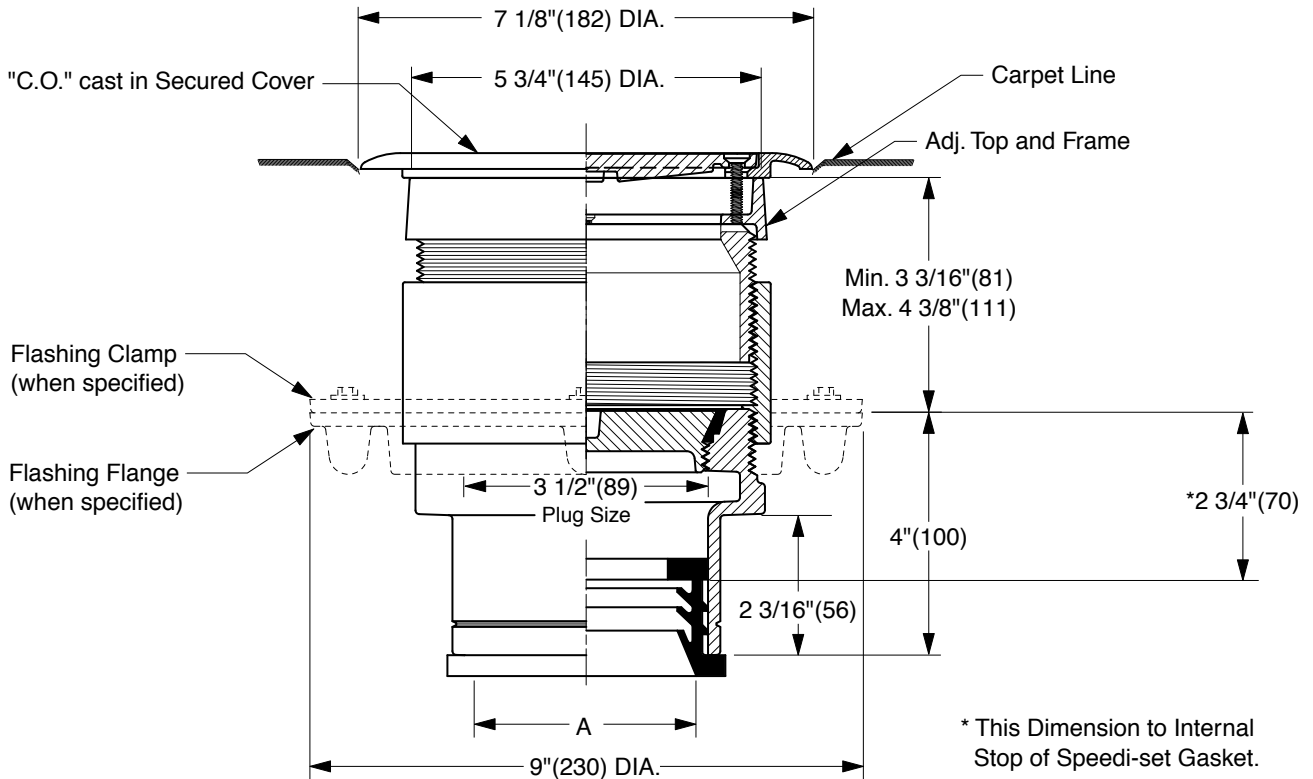


# FLOOR CLEANOUTS WITH "TWIS-TO-FLOOR®" ADJUSTABLE TOPS AND CARPET CLAMPING FRAME

## ROUND NICKEL BRONZE TOP

**FUNCTION:** For use in carpeted floors bearing foot and medium load wheeled traffic. Allows for easy carpet level adjustment.



TWIS-TO-FLOOR® ADJUSTMENT

SPEEDI-SET OUTLET ▲

"A" (Pipe Size) = 02(50), 03(75) or 04(100)

- |  |   |
|--|---|
| <ul style="list-style-type: none"> <li><input type="checkbox"/> Fig. 4031L (-X).....Gasket Seal - ABS Plug</li> <li><input type="checkbox"/> Fig. 4032L (-X).....Gasket Seal - Bronze Plug</li> <li><input type="checkbox"/> Fig. 4033L (-X).....Taper Thread - Bronze Plug</li> <li><input type="checkbox"/> Fig. 4034L (-X).....Taper Thread - ABS Plug</li> </ul> | <p>(Twis-to-Floor® design shown with gasketed plug.)</p> <p>▲ Available in Extra Heavy, Service Weight or NO-HUB.</p> |
|--|---|

**REGULARLY FURNISHED:**

Duco Cast Iron Cleanout with Round Adjustable Scoriated Secured Nickel Bronze Top and Carpet Clamping Frame. Closure Plug Type as Indicated By Figure Number Selected.

**VARIATIONS:**

- Flashing Flange -F
- Flange with Flashing Clamp -F-C
- Carpet Marker Type -Y
- Vandal Proof Top -U
- Wide Flange (DX)

**OPTIONAL MATERIALS:**

- Galvanized Cast Iron -G
- Polished Bronze Top -PB

**NOTE:** Dimensions shown in parentheses are in millimeters.

DRAWING NUMBER: S4031 (-X)  
 SIZE: A  
 SCALE: NONE  
 DATE: 04/13/89  
 APPROVED BY: TD  
 CHECKED BY: CR  
 DRAWN BY: EMB  
**4031 (-X) SERIES**  
 DIMENSIONS ARE SUBJECT TO MANUFACTURERS TOLERANCE AND CHANGE WITHOUT NOTICE

REV.	DATE	DESCRIPTION	BY	CKD. BY	WEIGHT POUNDS	VOLUME CUBIC FEET	<b>FIGURE NUMBER</b>
D C B	07/26/02 04/12/01 01/17/01	Corrected Clamp & Flange view Added dimension and note New design	JJ JJ JJ	CL CL BS			<b>4031 (-X) SERIES</b>

DRAWING NUMBER  
S4031(-X)BS

SIZE  
A

SCALE:  
NONE

DATE:  
7-26-06

APPROVED BY:  
CEL

CHECKED BY:  
CL

DRAWN BY:  
TBW

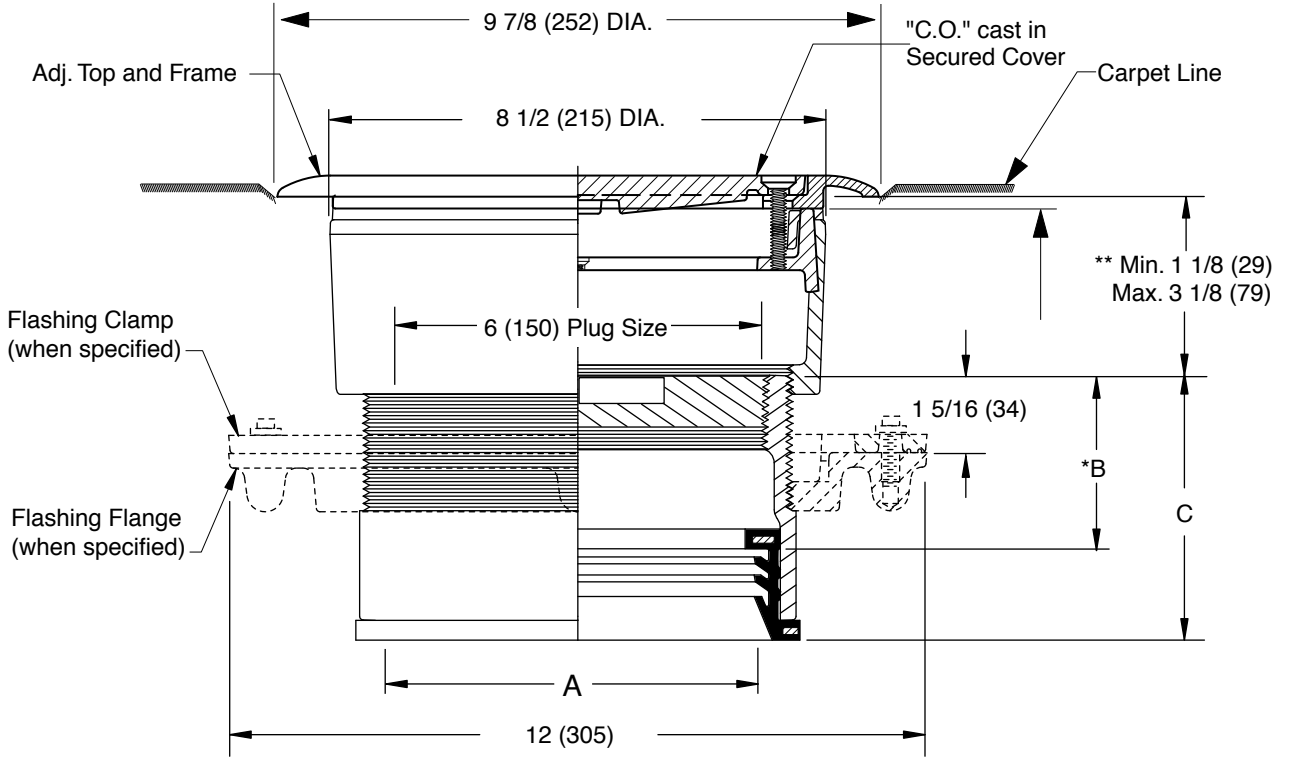
**4033 (-X)**

WE CAN ASSUME NO RESPONSIBILITY FOR USE OF SUPERSEDED OR VOID DATA

# FLOOR CLEANOUTS WITH "TWIS-TO-FLOOR®" ADJUSTABLE TOP AND CARPET CLAMPING FRAME

## ROUND NICKEL BRONZE TOP

**FUNCTION:** For use in carpeted floors bearing foot and medium load wheeled traffic. Allows for easy carpet level adjustment.



### SPEEDI-SET OUTLET ▲

"A" (Pipe Size) = 06(150) & 08(200)

A SIZE	B	C
06(150)	*3(76)	4 9/16(117)
08(200)	*3 1/4(83)	4 13/16(121)

▲ Available in "L" Service Weight, "LXH" Extra Heavy or "LPVC" PVC or ABS. "LPVC" applicable to 06(150) Pipe Size only.

\* This Dimension to Internal Stop of Speedi-Set Gasket.

\*\* When Flange-F is specified Min. 1 1/8 (29) becomes 1 5/8 (41)

### "TWIS-TO-FLOOR®" ADJUSTMENT

#### SPEEDI-SET OUTLET ▲

Fig. 4033L (-X).....Taper Thread - Bronze Plug

#### REGULARLY FURNISHED:

Duco Cast Iron Cleanout with Taper Thread Bronze Plug and Round Adjustable Scoriated Secured Nickel Bronze Top and Carpet Clamping Frame.

#### VARIATIONS:

Flashing Flange -F  
 Flange with Flashing Clamp -F-C  
 Vandal Proof Top -U

#### OPTIONAL MATERIALS:

Galvanized Cast Iron -G  
 Polished Bronze Top -PB

**NOTE:** Dimensions shown in parentheses are in millimeters.

REV.	DATE	DESCRIPTION	BY	CKD. BY

WEIGHT POUNDS	VOLUME CUBIC FEET

<b>FIGURE NUMBER</b> <b>4033 (-X)</b>
--



**WARNING:** Cancer and Reproductive Harm - www.P65Warnings.ca.gov