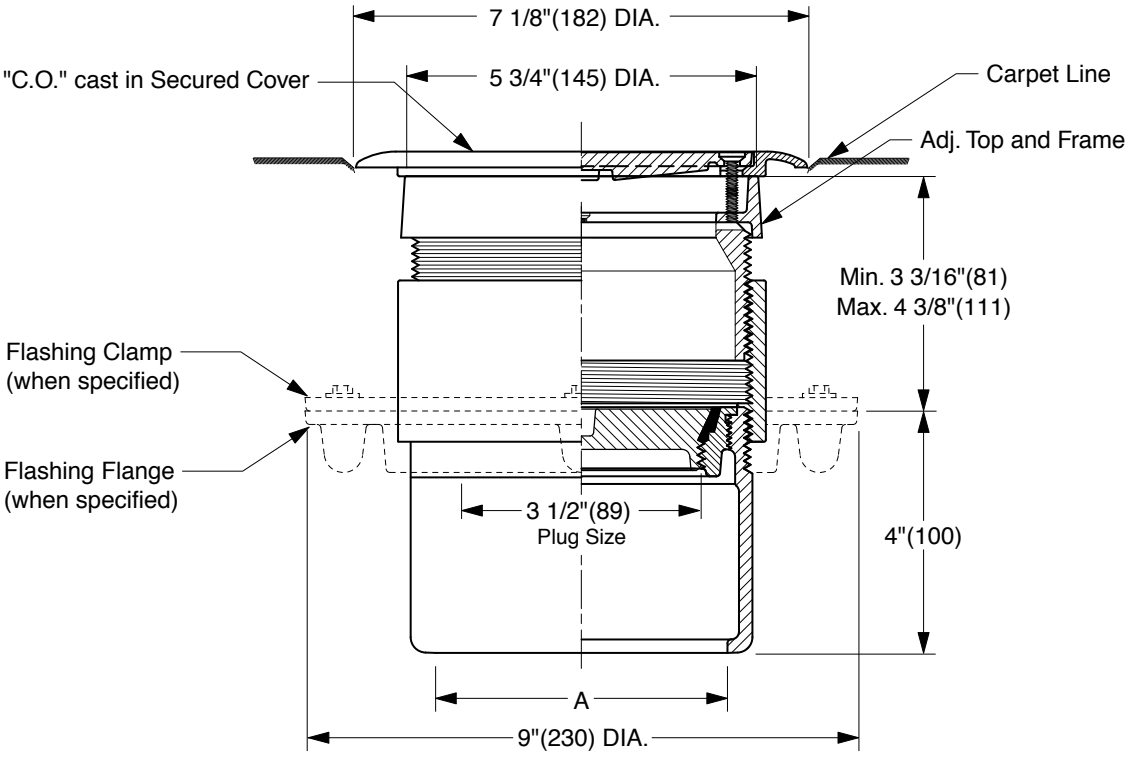


FLOOR CLEANOUTS WITH "TWIS-TO-FLOOR®" ADJUSTABLE TOPS AND CARPET CLAMPING FRAME

ROUND NICKEL BRONZE TOP

FUNCTION: For use in carpeted floors bearing foot and medium load wheeled traffic. Allows for easy carpet level adjustment.



TWIS-TO-FLOOR® ADJUSTMENT

INSIDE CAULK OUTLET

"A" (Pipe Size) = 02(50), 03(75) or 04(100)

- | | | |
|--------------------------|--|--|
| <input type="checkbox"/> | Fig. 4025C (-X).....Gasket Seal - ABS Plug | (Twis-to-Floor® design shown with gasketed plug.) |
| <input type="checkbox"/> | Fig. 4026C (-X).....Gasket Seal - Bronze Plug | |
| <input type="checkbox"/> | Fig. 4028C (-X).....Taper Thread - Bronze Plug | |
| <input type="checkbox"/> | Fig. 4029C (-X).....Taper Thread - ABS Plug | NOTE: Dimensions shown in parentheses are in millimeters. |

REGULARLY FURNISHED:

Duco Cast Iron Cleanout with Round Adjustable Scoriated Secured Nickel Bronze Top and Carpet Clamping Frame. Closure Plug Type as Indicated By Figure Number Selected.

VARIATIONS:

- | | |
|--------------------------|---------------------------------|
| <input type="checkbox"/> | Flashing Flange -F |
| <input type="checkbox"/> | Flange with Flashing Clamp -F-C |
| <input type="checkbox"/> | Carpet Marker Type -Y |
| <input type="checkbox"/> | Vandal Proof Top -U |
| <input type="checkbox"/> | Wide Flange (DX) |

OPTIONAL MATERIALS:

- | | |
|--------------------------|-------------------------|
| <input type="checkbox"/> | Galvanized Cast Iron -G |
| <input type="checkbox"/> | Polished Bronze Top -PB |

DRAWING NUMBER: S4025 (-X)
 SIZE: A
 SCALE: NONE
 DATE: 04/13/89
 APPROVED BY: TD
 CHECKED BY: CR
 DRAWN BY: EMB
4025 (-X) SERIES
 DIMENSIONS ARE SUBJECT TO MANUFACTURERS TOLERANCE AND CHANGE WITHOUT NOTICE

WE CAN ASSUME NO RESPONSIBILITY FOR USE OF SUPERSEDED OR VOID DATA

FIGURE NUMBER	C B	07/26/02 01/17/01	Corrected Clamp & Flange view New design	JJ JJ	BS BS	WEIGHT POUNDS	VOLUME CUBIC FEET	FIGURE NUMBER
	REV.	DATE	DESCRIPTION	BY	CKD. BY			4025 (-X) SERIES