



JAY R. SMITH MFG. CO.®
 MEMBER OF MORRIS GROUP INTERNATIONAL
 POST OFFICE BOX 3237
 MONTGOMERY, ALABAMA 36109-0237 (USA)
 TEL: 334-277-8520 FAX: 888-377-7818 www.jrsmith.com



MEMBER OF:

LOCATION

SPECIAL CLEANOUT ADAPTOR PLUG

DRAWING NUMBER
S4001P-NS-N15

SIZE
A

SCALE:
NONE

DATE:
8-11-2020

APPROVED BY:
CL

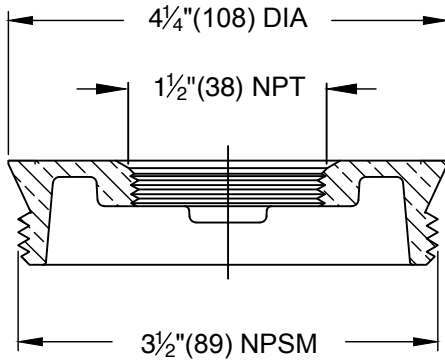
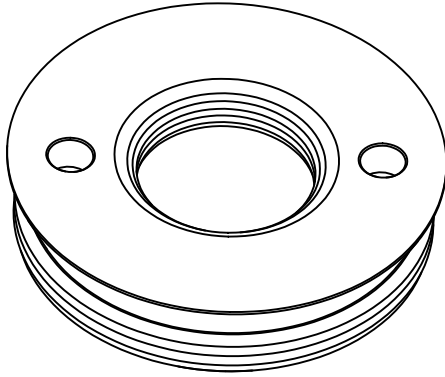
CHECKED BY:
CL

DRAWN BY:
MW

FIGURE NUMBER
4001P-NS-N15
4003P-4NS-N15

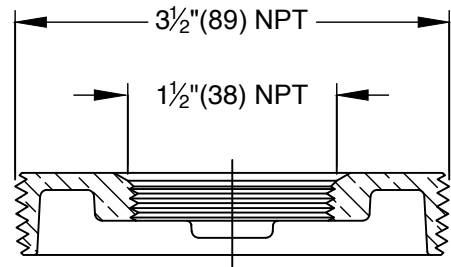
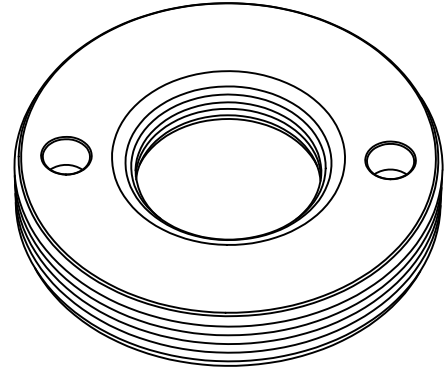
WE CAN ASSUME NO RESPONSIBILITY FOR USE OF SUPERSEDED OR VOID DATA

DIMENSIONS ARE SUBJECT TO MANUFACTURERS TOLERANCE AND CHANGE WITHOUT NOTICE



GASKET SEAL

Fig. 4001P-NS-N15



TAPER THREAD SEAL

Fig. 4003P-4NS-N15

REGULARLY FURNISHED:
 Bronze Plug with 1-1/2" (89) NPT Tapping

REV.	DATE	DESCRIPTION	BY	CKD. BY

WEIGHT
 POUNDS

VOLUME
 CUBIC FEET

FIGURE NUMBER
4001P-NS-N15
4003P-4NS-N15



WARNING: Cancer and Reproductive Harm - www.P65Warnings.ca.gov