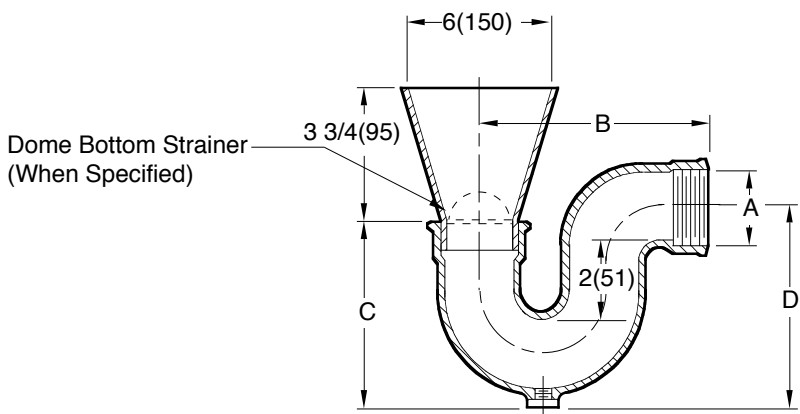


# FUNNELS

## DRIP AND CONDENSATE FUNNELS

**FUNCTION:** Ideal for hospitals and industrial laboratories where indirect waste lines above the floor require receptors to receive drip, condensate or waste water. Use of "P" trap recommended for preventing sewer gases from entering room.



**THREADED OUTLET ONLY**

A = PIPE SIZE	B	C	D
0150(40), 02(50)	6(150)	5(125)	5 1/2(140)
03(75)	6(150)	6(150)	6(150)

- Fig. 3831T ..... CAST IRON WITH ACID RESISTANT COATED INTERIOR AND EXTERIOR
- Fig. 3832T ..... DUCO COATED CAST IRON
- Fig. 3833T ..... CAST BRONZE
- Fig. 3834T ..... POLISHED CHROME PLATED CAST BRONZE

**REGULARLY FURNISHED:**  
As described by Figure Number.

- VARIATIONS:**
- Aluminum Dome Bottom Strainer -DBS
  - Dome Bottom Strainer (Same finish and materials as described by Figure No.)
  - Less Cleanout
  - With Front Cleanout
  - NO-HUB Adaptor 02(50), 03(75), 04(100) or 06"(150) sizes only (Specify Fig. 2646Y)

**OPTIONAL MATERIALS:**  
 All Galvanized -G

**NOTE:** Dimensions shown in parentheses are in millimeters.

**3831, 3832, 3833, 3834**

FIGURE NUMBER	<b>B</b> A	10-18-17 6-11-99	Revised Description 3831T Revised description	TBW CMD	CR BS	WEIGHT POUNDS	VOLUME CUBIC FEET	<b>FIGURE NUMBER</b> <b>3831, 3832,</b> <b>3833, 3834</b>
	REV.	DATE	DESCRIPTION	BY	CKD. BY			

DRAWING NUMBER **S3831**  
SIZE **A**  
SCALE: **NONE**  
DATE: **5-7-99**  
APPROVED BY: **BS**  
CHECKED BY: **BS**  
DRAWN BY: **CMD**

WE CAN ASSUME NO RESPONSIBILITY FOR USE OF SUPERSEDED OR VOID DATA  
DIMENSIONS ARE SUBJECT TO MANUFACTURERS TOLERANCE AND CHANGE WITHOUT NOTICE