

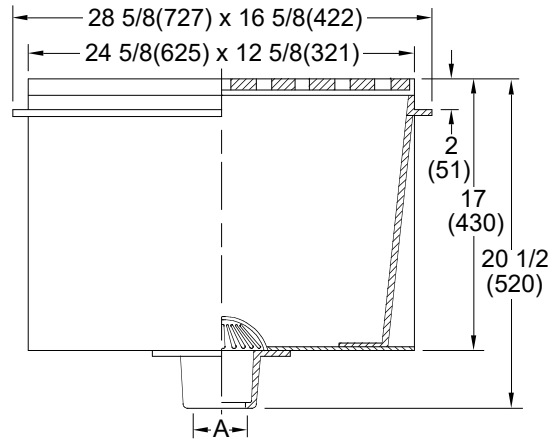
SANI-CEPTOR® ACID RESISTANT COATED FLOOR & INDIRECT WASTE DRAINS

**RECTANGULAR A.R. COATED NON-TRAFFIC TOP
 24 (610) x 12 (305) TOP-EXTRA LARGE DEEP RECEPTORS**

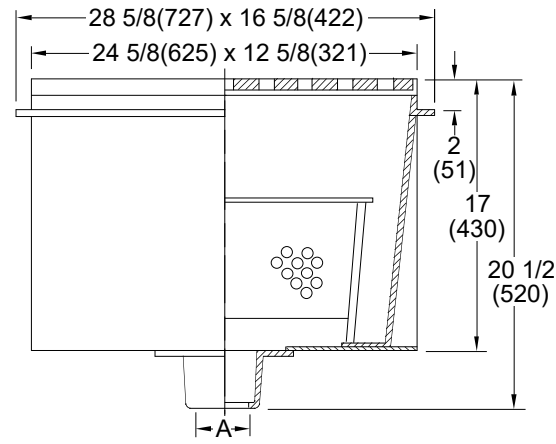
Conforms to ASME A112.6.7/CSA B79.7

Free Area
 125 SQ IN
 (807) SQ CM

A (Pipe Size) = 02(50), 03(75), 04(100), 05(125) or 06(150)



WITH DOME BOTTOM STRAINER



WITH SEDIMENT BUCKET

- | | | |
|-------------------------------------|---------------|-------------------------------------|
| <input type="checkbox"/> Fig. 3482C | CAULK OUTLET | <input type="checkbox"/> Fig. 3483C |
| <input type="checkbox"/> Fig. 3482Y | NO-HUB OUTLET | <input type="checkbox"/> Fig. 3483Y |

FEATURES, OPTIONS & ORDERING INFORMATION

REGULARLY FURNISHED: Fabricated Steel Flanged Receptor with Acid Resistant Coated Interior with Loose Set Acid Resistant Coated Grates, Aluminum Dome Bottom Strainer or Stainless Steel Sediment Bucket as Indicated by Figure Number.

VARIATIONS:

- Flashing Clamp -C
- Acid Resistant Coated Flat Bottom Strainer -FBS
- S.S. Mesh Lined Bucket -BS
- Vandal Proof Screws -U

OPTIONAL MATERIALS:

- All Galvanized -G
- All Duco Coated Receptor -CI

NOTE: This grate is not recommended for any type of traffic including pedestrian traffic.

OPTIONAL TOP GRATES/COVERS FOR INDIRECT WASTE APPLICATIONS

SUFFIX

NUMBER	DESCRIPTION
<input type="checkbox"/> -10	LESS GRATE
<input type="checkbox"/> -12	WITH 1/2 GRATE
<input type="checkbox"/> -13	WITH 3/4 GRATE
<input type="checkbox"/> -14	WITH GRATE WITH 2 1/2 (64) SQ CENTER HOLE
<input type="checkbox"/> -41	WITH SOLID COVER
<input type="checkbox"/> -42	WITH 1/2 SOLID COVER
<input type="checkbox"/> -43	WITH 3/4 SOLID COVER
<input type="checkbox"/> -44	WITH SOLID COVER WITH 2 1/2"(64) SQ CENTER HOLE

NOTE: Dimensions shown in parentheses are in millimeters.

DRAWING NUMBER S3482
 SIZE A
 SCALE: NONE
 DATE: 5-15-89
 APPROVED BY: SJM
 CHECKED BY: SB
 DRAWN BY: EMB
 3482, 3483
 FIGURE NUMBER

WE CAN ASSUME NO RESPONSIBILITY FOR USE OF SUPERSEDED OR VOID DATA
 DIMENSIONS ARE SUBJECT TO MANUFACTURERS TOLERANCE AND CHANGE WITHOUT NOTICE

REV.	DATE	DESCRIPTION	BY	CKD. BY	WEIGHT POUNDS	VOLUME CUBIC FEET	FIGURE NUMBER 3482, 3483
		Added ASME Note Added Optional Grates/Covers Removed Function Revised Variations	HS HS HS KK	BW CL CL CL			