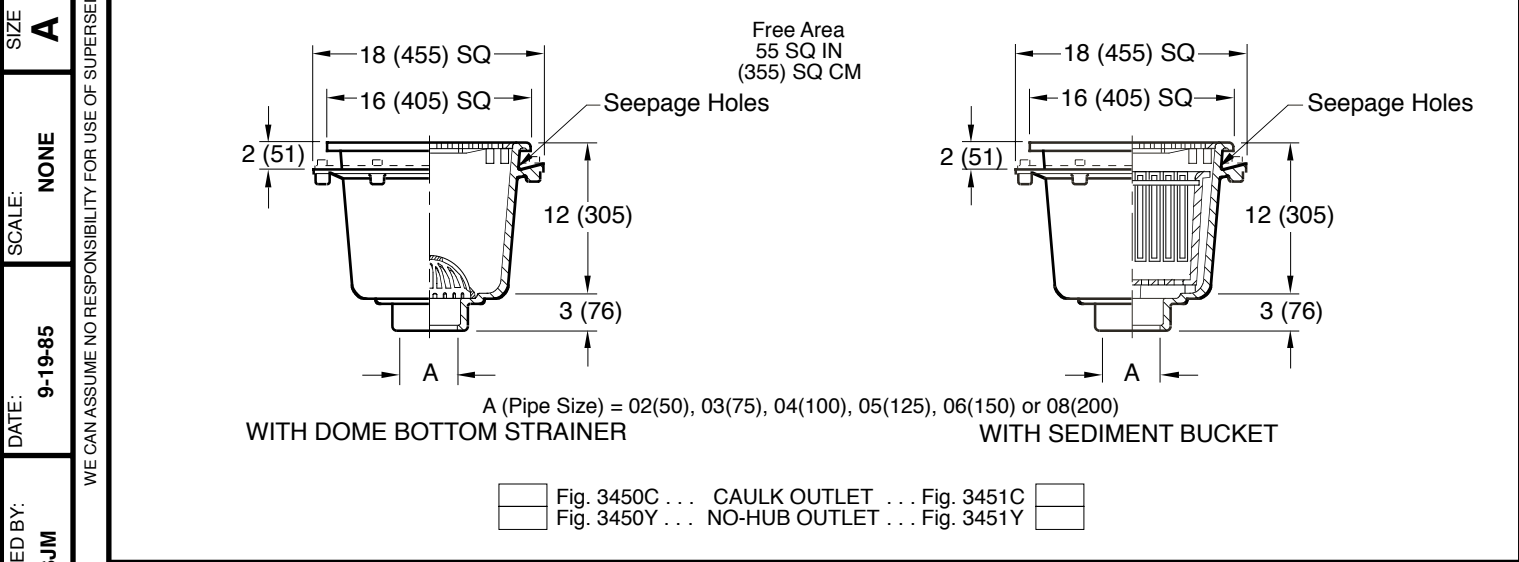


# SANI-CEPTOR® ACID RESISTANT COATED FLOOR & INDIRECT WASTE DRAINS

## A.R. COATED NON-TRAFFIC TOPS 16" (405) SQUARE TOP - DEEP RECEPTORS

**FUNCTION:** Used in kitchens, hospitals, food markets, restaurants, schools and all types of food handling areas not subject to foot or other traffic, where the ultimate in sanitation is desirable and a large capacity receptor is required.



### FEATURES, OPTIONS & ORDERING INFORMATION

**REGULARLY FURNISHED:** Cast Iron Flanged Receptor with Seepage Holes, Acid Resistant Coated Interior, and Loose Set Acid Resistant Coated Cast Iron Grate. Aluminum Dome Bottom Strainer or Sediment Bucket as Indicated by Figure Number.

**VARIATIONS:**

- Aluminum Flat Bottom Strainer -FBS
- Flashing Clamp -C
- Polished Aluminum Dome Bottom Strainer -PDBS

**OPTIONAL MATERIALS:**

- All Duco Cast Iron Receptor and Grate -CI
- All Galvanized Receptor and Grate -G

**NOTE:** This grate is not recommended for any type of traffic including pedestrian traffic.

**NOTE:** Dimensions shown in parentheses are in millimeters.

### OPTIONAL TOP GRATES AND COVERS FOR INDIRECT WASTE APPLICATIONS

SUFFIX NUMBER	DESCRIPTION
<input type="checkbox"/> -10	Less A.R.C. Grate
<input type="checkbox"/> -12	With A.R.C. 1/2 Grate
<input type="checkbox"/> -13	With A.R.C. 3/4 Grate
<input type="checkbox"/> -14	With A.R.C. Grate with 2 1/2" (64) DIA Center Hole
<input type="checkbox"/> -15	With NB Rim and Aluminum Recessed Grate
<input type="checkbox"/> -21	With A.R.C. Grate and 4" (100) DIA A.R.C. Funnel
<input type="checkbox"/> -22	With A.R.C. Grate and 6" (150) DIA A.R.C. Funnel
<input type="checkbox"/> -25	With A.R.C. Grate and 8 1/4(210) x 3 1/4(83) x 4 1/2"(115) High Oval A.R.C. Funnel
<input type="checkbox"/> -26	With A.R.C. Grate and 6(150) x 2 1/2(64) x 1"(25) High Oval A.R.C. Funnel
<input type="checkbox"/> -41	With A.R.C. Solid Cover
<input type="checkbox"/> -42	With A.R.C. 1/2 Solid Cover
<input type="checkbox"/> -44	With A.R.C. Solid Cover with 2 1/2" (64) DIA Center Hole

<b>J</b> <b>H</b> <b>G</b>	3-22-19 01/20/11 12-3-98	Revised Variations Updated Logo Added Note	MW JJ CMD	CL TW CL	WEIGHT POUNDS	VOLUME CUBIC FEET	<b>FIGURE NUMBER</b>  <b>3450, 3451</b>
REV.	DATE	DESCRIPTION	BY	CKD. BY			

DRAWING NUMBER: S3450  
 SIZE: A  
 SCALE: NONE  
 DATE: 9-19-85  
 APPROVED BY: SJM  
 CHECKED BY: JD  
 DRAWN BY: VGD  
**3450, 3451**  
 DIMENSIONS ARE SUBJECT TO MANUFACTURERS TOLERANCE AND CHANGE WITHOUT NOTICE