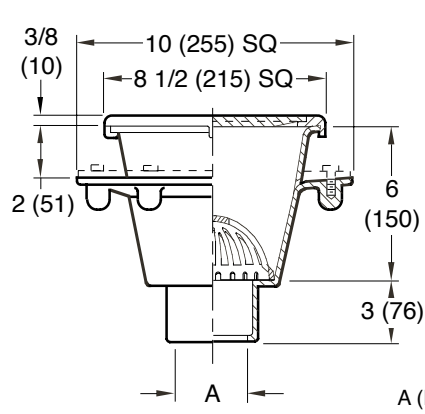


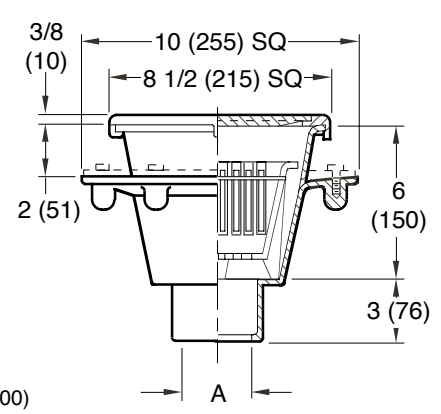
SANI-CEPTOR® ACID RESISTANT COATED FLOOR & INDIRECT WASTE DRAINS

SQUARE NICKEL BRONZE TOP 8 1/2" (215) TOP - MEDIUM RECEPTORS

FUNCTION: Used in kitchens, hospitals, food markets, restaurants, schools and all types of food handling areas where the ultimate in sanitation is desirable and a medium capacity receptor is required.



Free Area
19.43 SQ IN
(125) SQ CM



WITH DOME BOTTOM STRAINER

WITH SEDIMENT BUCKET

A (Pipe Size) = 02(50), 03(80) or 04(100)

- | | | |
|-------------------------------------|---------------|-------------------------------------|
| <input type="checkbox"/> Fig. 3100C | CAULK OUTLET | <input type="checkbox"/> Fig. 3101C |
| <input type="checkbox"/> Fig. 3100Y | NO-HUB OUTLET | <input type="checkbox"/> Fig. 3101Y |

FEATURES, OPTIONS & ORDERING INFORMATION

REGULARLY FURNISHED: Cast Iron Flanged Receptor with Seepage Holes, Acid Resistant Coated Interior, Nickel Bronze Rim and Secured Grate. Aluminum Dome Bottom Strainer or White ABS Sediment Bucket as Indicated by Figure Number.

OPTIONAL MATERIALS:

- All Duco Cast Iron Receptor -CI
- All Galvanized Receptor -G

VARIATIONS:

- Aluminum Flat Bottom Strainer -FBS
- Flashing Clamp -C
- Polished Aluminum Dome Bottom Strainer -PDBS
- Vandal Proof Screws -U
- L Speedi-Set Service Weight
02(50), 03(80) & 04"(100) sizes only
- LXH Speedi-Set Extra Heavy
02(50), 03(80) & 04"(100) sizes only

SUFFIX NUMBER SQUARE RIM

| SUFFIX NUMBER | DESCRIPTION |
|---------------|---|
| | |
| -10 | Less NB Rim and Grate |
| -11 | Less Grate w/NB Rim |
| -12 | With NB Rim and 1/2 Grate |
| -13 | With NB Rim and 3/4 Grate |
| -14 | With NB Rim and Grate with 2 1/2" (64) SQ Center Hole |
| -15 | With NB Rim and Aluminum Recessed Grate |
| -19 | With NB Rim and Hinged Grate |
| -21 | With NB Rim and Grate with 4" (100) DIA NB Funnel |
| -22 | With NB Rim and Grate with 6" (150) DIA NB Funnel |
| -25 | With NB Rim and Grate with 8 1/4(210) x 3 1/4(83) x 4 1/2"(115) High Oval NB Funnel |
| -26 | With NB Rim and Grate with 6(150) x 2 1/2(64) x 1"(25) High Oval NB Funnel |
| -41 | With NB Rim and Solid Cover |
| -42 | With NB Rim and 1/2 Solid Cover |
| -43 | With NB Rim and 3/4 Solid Cover |
| -44 | With NB Rim and Solid Cover with 2 1/2" (64) DIA Center Hole |

NOTE: Dimensions shown in parentheses are in millimeters.

DRAWING NUMBER: S3100
 SIZE: A
 SCALE: NONE
 DATE: 9-19-85
 APPROVED BY: SJM
 CHECKED BY: JD
 DRAWN BY: PJ
3100, 3101
 DIMENSIONS ARE SUBJECT TO MANUFACTURERS TOLERANCE AND CHANGE WITHOUT NOTICE

| | | | | | | | |
|------|------|-------------|----|---------|---------------|-------------------|---|
| REV. | DATE | DESCRIPTION | BY | CKD. BY | WEIGHT POUNDS | VOLUME CUBIC FEET | FIGURE NUMBER 3100, 3101 |
| | | | | | | | |