

**SMITH® JAY R. SMITH MFG. CO.®**  
 MEMBER OF MORRIS GROUP INTERNATIONAL  
 POST OFFICE BOX 3237  
 MONTGOMERY, ALABAMA 36109-0237 (USA)  
 TEL: 334-277-8520 FAX: 334-272-7396 www.jrsmith.com



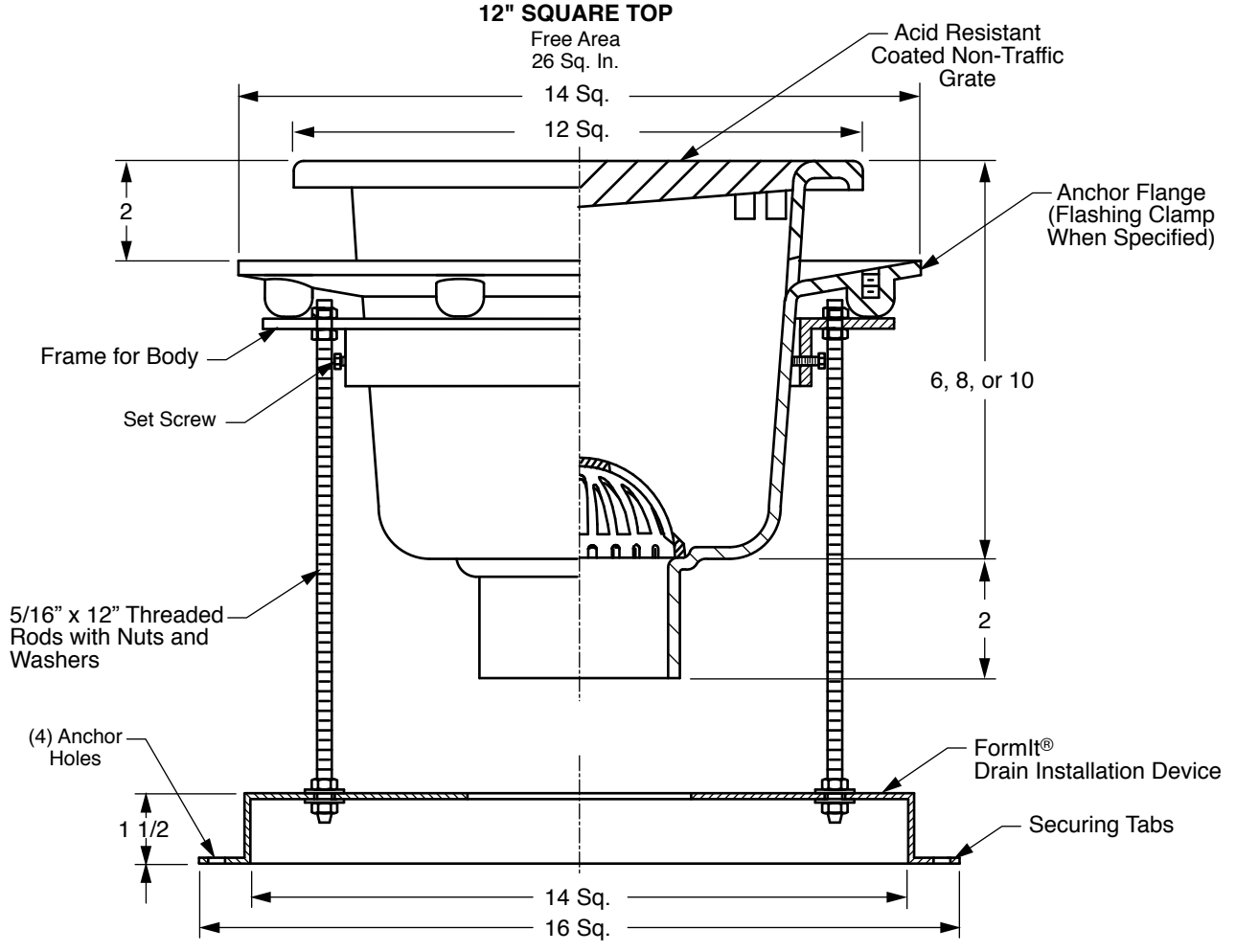
LOCATION

B  
 DRAWING NUMBER s3039  
 SIZE A  
 SCALE: NONE  
 DATE: 8-28-08  
 APPROVED BY: BW  
 CHECKED BY: BW  
 DRAWN BY: RN  
 FIGURE NUMBER 3039

WE CAN ASSUME NO RESPONSIBILITY FOR USE OF SUPERSEDED OR VOID DATA

# 12" SQUARE ENAMELED FLOOR SINK WITH FormIt® DRAIN INSTALLATION DEVICE

**FUNCTION:** The Jay R. Smith Mfg. Co.® FormIt® Drain Installation Device is designed to stabilize the drain and provide adjustment during the installation process and allows final connection of outlet piping to drain after the concrete pour.



A (Pipe Size) = 02,03 or 04  
 Fig. 3039Y..... NO HUB OUTLET  
 Fig. 3039Y(-B)..... NO HUB OUTLET WITH BUCKET

**REGULARLY FURNISHED:**

Cast Iron Flanged Receptor with Acid Resistant Coated Interior, Loose Set Acid Resistant Coated Grate, Aluminum Dome Bottom Strainer or Aluminum Sediment Bucket as Indicated by Figure Number Selected and FormIt® Drain Installation Device with Trim.

**VARIATIONS:**

- Acid Resistant 1/2 Grate (Suffix) -12
- Acid Resistant 3/4 Grate (Suffix) -13
- Aluminum Flat Bottom Strainer -FBS
- Flashing Clamp -C
- Sediment Bucket -B
- Vandal Proof Top (Nickel Bronze Tops Only) -U
- Polished Aluminum Dome Bottom Strainer -PDBS

**OPTIONAL MATERIAL:**

- Nickel Bronze Frame and Grate in lieu of ARC Grate -NB
- Polished Bronze Frame and Grate in lieu of ARC Grate -PB
- All Duco Cast Iron Receptor -CI
- All Galvanized Receptor -G

REV.	DATE	DESCRIPTION	BY	CKD. BY	WEIGHT POUNDS	VOLUME CUBIC FEET	FIGURE NUMBER
B A	7-7-10 05/14/09	Revised™ to @ Added Function	RN JJ	BW BW			<b>3039</b>