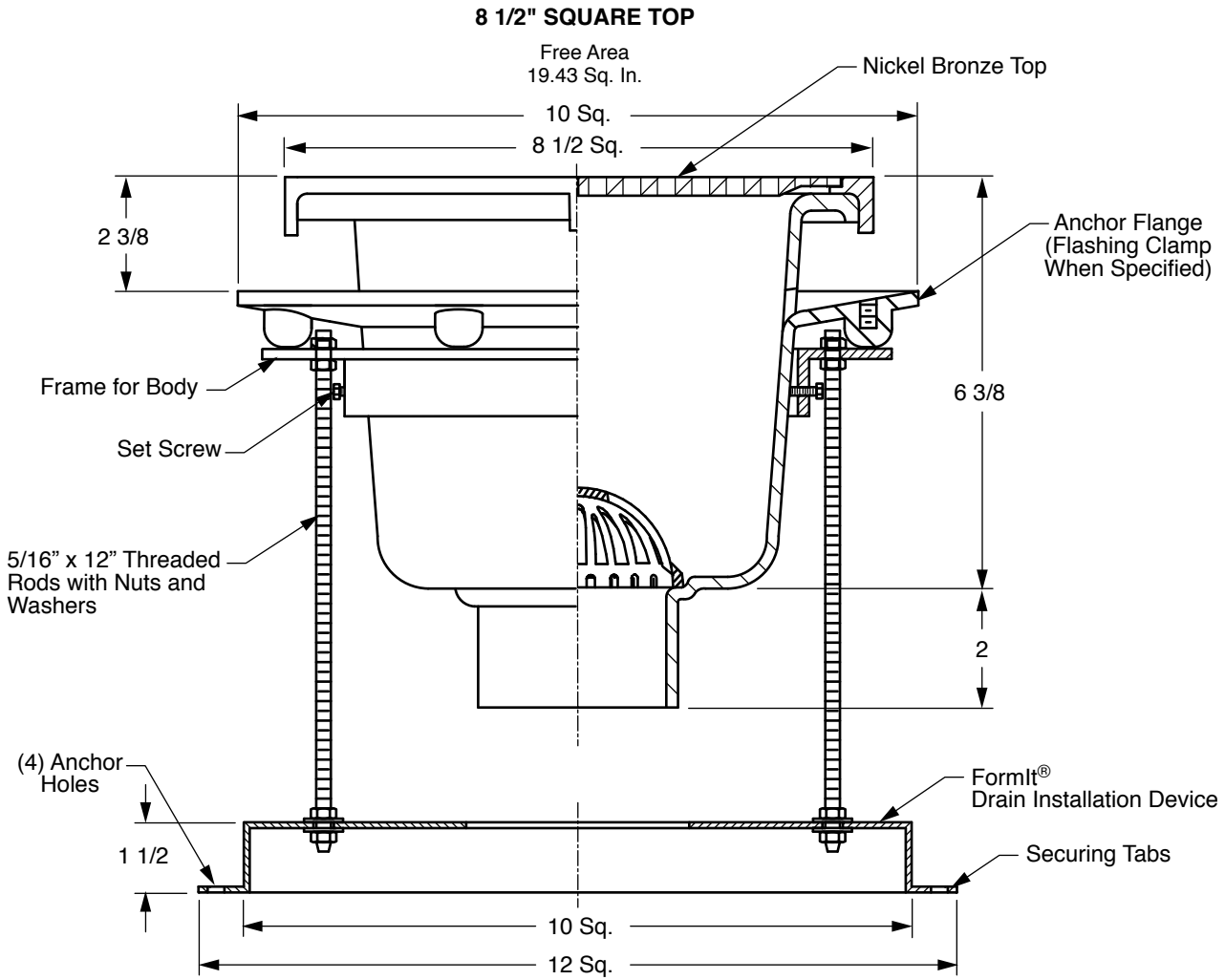


DRAWING NUMBER s3038	<h1 style="margin: 0;">8 1/2" SQUARE ENAMELED FLOOR SINK WITH FormIt® DRAIN INSTALLATION DEVICE</h1>
-------------------------	--

FUNCTION: The Jay R. Smith Mfg. Co.® FormIt® Drain Installation Device is designed to stabilize the drain and provide adjustment during the installation process and allows final connection of outlet piping to drain after the concrete pour.



A (Pipe Size) = 02,03 or 04
 Fig. 3038Y..... NO HUB OUTLET
 Fig. 3038Y(-B)..... NO HUB OUTLET WITH BUCKET

REGULARLY FURNISHED:
 Cast Iron Flanged Receptor with Seepage Holes, Acid Resistant Coated Interior, Nickel Bronze Rim and Secured Grate, Aluminum Dome Bottom Strainer and FormIt® Drain Installation Device with Trim.

- VARIATIONS:**
- NB Rim and 1/2 Grate (Suffix) -12
 - NB Rim and 3/4 Grate (Suffix) -13
 - Aluminum Flat Bottom Strainer -FBS
 - Flashing Clamp -C
 - Sediment Bucket -B
 - Vandal Proof Top (Nickel Bronze Tops Only) -U

- OPTIONAL MATERIAL:**
- All Duco Cast Iron Receptor -CI
 - All Galvanized Receptor -G

3038	DRAWN BY: RN	CHECKED BY: BW	APPROVED BY: BW	DATE: 8-27-08	SCALE: NONE	SIZE A	DRAWING NUMBER s3038	
FIGURE NUMBER	B A	7-7-10 05/14/09	Revised™ to® Added Function	RN JJ	BW BW	WEIGHT POUNDS	VOLUME CUBIC FEET	FIGURE NUMBER 3038
REV.	DATE	DESCRIPTION		BY	CKD. BY			